

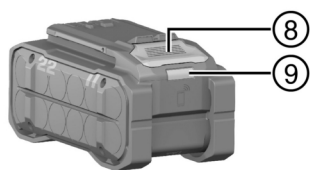
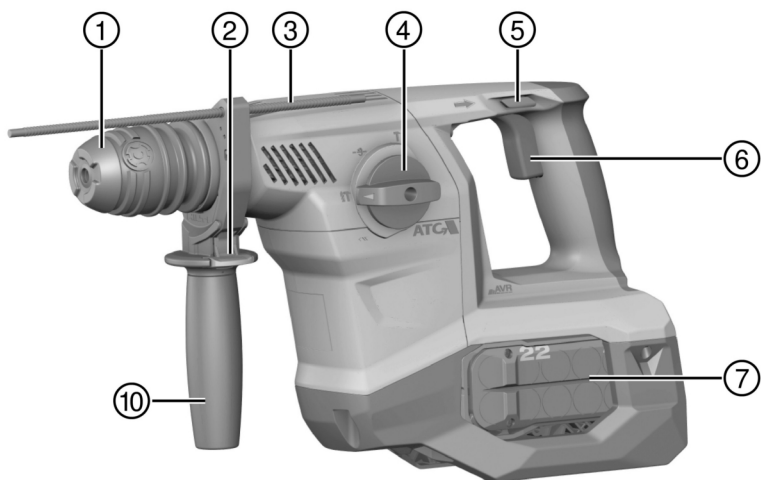


TE 30-22 (04)

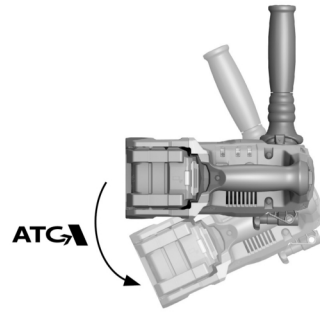
NU<sup>R</sup>ON

English  
עברית

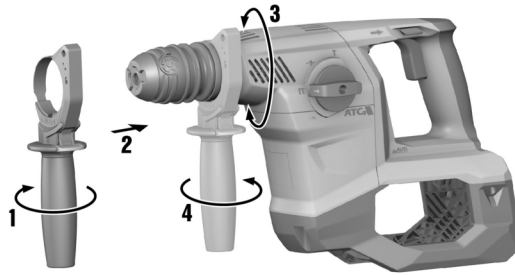
1  
14



2



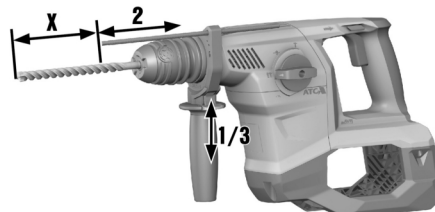
3



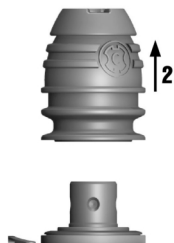
4



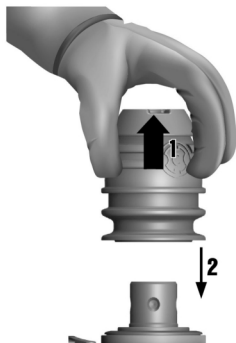
5



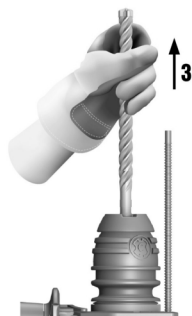
6



7



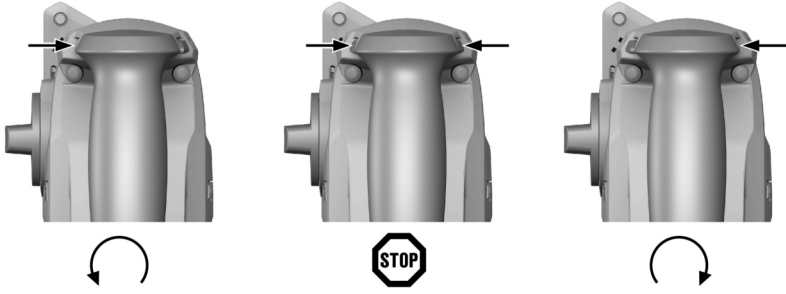
8



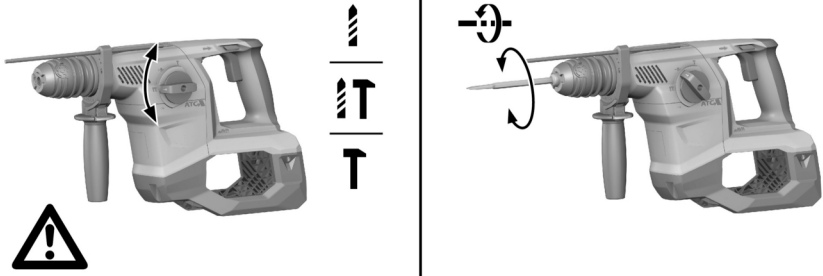
9



10



11



# TE 30-22 (04)

en	Original operating instructions .....	1
he	הוראות הפעלה מקוריות .....	14

# Original operating instructions

## 1 Information about the operating instructions

### 1.1 About these operating instructions

- **Warning!** Read and understand all accompanying documentation, including but not limited to instructions, safety warnings, illustrations, and specifications provided with this product. Familiarize yourself with all the instructions, safety warnings, illustrations, specifications, components, and functions of the product before use. Failure to do so may result in electric shock, fire, and/or serious injury. Save all warnings and instructions for future reference.
- products are designed for professional users and only trained, authorized personnel are permitted to operate, service and maintain the products. This personnel must be specifically informed about the possible hazards. The product and its ancillary equipment can present hazards if used incorrectly by untrained personnel or if used not in accordance with the intended use.
- The accompanying documentation corresponds to the current state of the art at the time of printing. Please always check for the latest version on the product's page on Hilti's website. To do this, follow the link or scan the QR code in this documentation, marked with the symbol .
- Ensure that these operating instructions are with the product when it is given to other persons.

### 1.2 Explanation of symbols

#### 1.2.1 Warnings

Warnings alert persons to hazards that occur when handling or using the product. The following signal words are used:

**DANGER**

**DANGER !**

- ▶ Draws attention to imminent danger that will lead to serious personal injury or fatality.

**WARNING**

**WARNING !**

- ▶ Draws attention to a potential threat of danger that can lead to serious injury or fatality.

**CAUTION**

**CAUTION !**

- ▶ Draws attention to a potentially dangerous situation that could lead to personal injury or damage to the equipment or other property.

#### 1.2.2 Symbols in the operating instructions

The following symbols are used in these operating instructions:

	Comply with the operating instructions
	Instructions for use and other useful information
	Dealing with recyclable materials
	Do not dispose of electric equipment and batteries as household waste
	<b>Hilti</b> Li-ion battery
	<b>Hilti</b> charger

#### 1.2.3 Symbols in illustrations

The following symbols are used in illustrations:

- 2** These numbers refer to the illustrations at the beginning of these operating instructions.



3	The numbers in illustrations refer to important work steps or to components important for the work steps. In the text, the corresponding numbers draw attention to these work steps or components, e.g. (3).
	Item reference numbers are used in the <b>overview illustration</b> and refer to the numbers used in the key in the <b>product overview</b> section.
	This symbol is intended to draw your special attention to certain points for handling the product.

### 1.3 Product-dependent symbols

#### 1.3.1 Symbols on the product

The following symbols can be used on the product:

	Drilling without hammer action
	Drilling with hammering action (hammer drilling)
	Chiseling
	Chisel positioning
	Forward / reverse
	Diameter
$n_0$	Rated speed under no load
/min	Revolutions per minute
	Direct current (DC)
	The product supports near-field communication (NFC) technology compatible with iOS and Android platforms.
Li-Ion	Li-ion battery
	Never use the battery as a striking tool.
	Do not drop the battery. Never use a battery that has suffered an impact or is damaged in any other way.

## 2 Safety

### 2.1 General power tool safety warnings

**⚠ WARNING** Read all safety warnings, instructions, illustrations and specifications provided with this power tool. Failure to follow all instructions listed below may result in electric shock, fire and/or serious injury. **Save all warnings and instructions for future reference.**

The term "power tool" in the warnings refers to your mains-operated (corded) power tool or battery-operated (cordless) power tool.

#### Work area safety

- ▶ **Keep work area clean and well lit.** Cluttered or dark areas invite accidents.
- ▶ **Do not operate power tools in explosive atmospheres, such as in the presence of flammable liquids, gases or dust.** Power tools create sparks which may ignite the dust or fumes.
- ▶ **Keep children and bystanders away while operating a power tool.** Distractions can cause you to lose control.

#### Electrical safety

- ▶ **Power tool plugs must match the outlet. Never modify the plug in any way. Do not use any adapter plugs with earthed (grounded) power tools.** Unmodified plugs and matching outlets will reduce risk of electric shock.





- ▶ **Avoid body contact with earthed or grounded surfaces, such as pipes, radiators, ranges and refrigerators.** There is an increased risk of electric shock if your body is earthed or grounded.
- ▶ **Do not expose power tools to rain or wet conditions.** Water entering a power tool will increase the risk of electric shock.
- ▶ **Do not abuse the cord. Never use the cord for carrying, pulling or unplugging the power tool. Keep cord away from heat, oil, sharp edges or moving parts.** Damaged or entangled cords increase the risk of electric shock.
- ▶ **When operating a power tool outdoors, use an extension cord suitable for outdoor use.** Use of a cord suitable for outdoor use reduces the risk of electric shock.
- ▶ **If operating a power tool in a damp location is unavoidable, use a residual current device (RCD) protected supply.** Use of an RCD reduces the risk of electric shock.

#### Personal safety

- ▶ **Stay alert, watch what you are doing and use common sense when operating a power tool. Do not use a power tool while you are tired or under the influence of drugs, alcohol or medication.** A moment of inattention while operating power tools may result in serious personal injury.
- ▶ **Use personal protective equipment. Always wear eye protection.** Protective equipment such as a dust mask, non-skid safety shoes, hard hat or hearing protection used for appropriate conditions will reduce personal injuries.
- ▶ **Prevent unintentional starting. Ensure the switch is in the off-position before connecting to power source and/or battery pack, picking up or carrying the tool.** Carrying power tools with your finger on the switch or energising power tools that have the switch on invites accidents.
- ▶ **Remove any adjusting key or wrench before turning the power tool on.** A wrench or a key left attached to a rotating part of the power tool may result in personal injury.
- ▶ **Do not overreach. Keep proper footing and balance at all times.** This enables better control of the power tool in unexpected situations.
- ▶ **Dress properly. Do not wear loose clothing or jewellery. Keep your hair and clothing away from moving parts.** Loose clothes, jewellery or long hair can be caught in moving parts.
- ▶ **If devices are provided for the connection of dust extraction and collection facilities, ensure these are connected and properly used.** Use of dust collection can reduce dust-related hazards.
- ▶ **Do not let familiarity gained from frequent use of tools allow you to become complacent and ignore tool safety principles.** A careless action can cause severe injury within a fraction of a second.

#### Power tool use and care

- ▶ **Do not force the power tool. Use the correct power tool for your application.** The correct power tool will do the job better and safer at the rate for which it was designed.
- ▶ **Do not use the power tool if the switch does not turn it on and off.** Any power tool that cannot be controlled with the switch is dangerous and must be repaired.
- ▶ **Disconnect the plug from the power source and/or remove the battery pack, if detachable, from the power tool before making any adjustments, changing accessories, or storing power tools.** Such preventive safety measures reduce the risk of starting the power tool accidentally.
- ▶ **Store idle power tools out of the reach of children and do not allow persons unfamiliar with the power tool or these instructions to operate the power tool.** Power tools are dangerous in the hands of untrained users.
- ▶ **Maintain power tools and accessories. Check for misalignment or binding of moving parts, breakage of parts and any other condition that may affect the power tool's operation. If damaged, have the power tool repaired before use.** Many accidents are caused by poorly maintained power tools.
- ▶ **Keep cutting tools sharp and clean.** Properly maintained cutting tools with sharp cutting edges are less likely to bind and are easier to control.
- ▶ **Use the power tool, accessories and tool bits etc. in accordance with these instructions, taking into account the working conditions and the work to be performed.** Use of the power tool for operations different from those intended could result in a hazardous situation.
- ▶ **Keep handles and grasping surfaces dry, clean and free from oil and grease.** Slippery handles and grasping surfaces do not allow for safe handling and control of the tool in unexpected situations.

#### Battery tool use and care

- ▶ **Recharge only with the charger specified by the manufacturer.** A charger that is suitable for one type of battery pack may create a risk of fire when used with another battery pack.
- ▶ **Use power tools only with specifically designated battery packs.** Use of any other battery packs may create a risk of injury and fire.



- ▶ **When battery pack is not in use, keep it away from other metal objects, like paper clips, coins, keys, nails, screws or other small metal objects, that can make a connection from one terminal to another.** Shorting the battery terminals together may cause burns or a fire.
- ▶ **Under abusive conditions, liquid may be ejected from the battery; avoid contact. If contact accidentally occurs, flush with water. If liquid contacts eyes, additionally seek medical help.** Liquid ejected from the battery may cause irritation or burns.
- ▶ **Do not use a battery pack or tool that is damaged or modified.** Damaged or modified batteries may exhibit unpredictable behaviour resulting in fire, explosion or risk of injury.
- ▶ **Do not expose a battery pack or tool to fire or excessive temperature.** Exposure to fire or temperature above 130° C (265 °F) may cause explosion.
- ▶ **Follow all charging instructions and do not charge the battery pack or tool outside the temperature range specified in the instructions.** Charging improperly or at temperatures outside the specified range may damage the battery and increase the risk of fire.

#### Service

- ▶ **Have your power tool serviced by a qualified repair person using only identical replacement parts.** This will ensure that the safety of the power tool is maintained.
- ▶ **Never service damaged battery packs.** Service of battery packs should only be performed by the manufacturer or authorized service providers.

## 2.2 Hammer safety warnings

### Safety instructions for all operations

- ▶ **Wear ear protectors.** Exposure to noise can cause hearing loss.
- ▶ **Use auxiliary handle(s), if supplied with the tool.** Loss of control can cause personal injury.
- ▶ **Hold the power tool by insulated gripping surfaces, when performing an operation where the cutting accessory may contact hidden wiring.** Cutting accessory contacting a "live" wire may make exposed metal parts of the power tool "live" and could give the operator an electric shock.

### Safety instructions when using long drill bits with rotary hammers

- ▶ **Always start drilling at low speed and with the bit tip in contact with the workpiece.** At higher speeds, the bit is likely to bend if allowed to rotate freely without contacting the workpiece, resulting in personal injury.
- ▶ **Apply pressure only in direct line with the bit and do not apply excessive pressure.** Bits can bend causing breakage or loss of control, resulting in personal injury.

## 2.3 Additional safety instructions

### Personal safety

- ▶ Use the product and accessories only when they are in perfect working order.
- ▶ Never tamper with or modify the product or accessories in any way.
- ▶ Use auxiliary handles supplied with the product. Keep the grips clean and dry. Loss of control can cause personal injury.
- ▶ Always check that you have a safe and firm stance when you use the product. Make sure that you are securely balanced and have control before you start the operation.
- ▶ Risk of injury by falling tools and/or accessories. Before starting work, check that the battery and installed accessories are secure.
- ▶ Keep the air vents clear at all times. Risk of burn injuries due to blocked air vents!
- ▶ Dust produced by grinding, sanding, cutting and drilling can contain dangerous chemicals. Some examples are: lead or lead-based paints; brick, concrete and other masonry products, natural stone and other products containing silicates; certain types of wood, such as oak, beech and chemically treated wood; asbestos or materials that contain asbestos. Determine the exposure of the operator and bystanders by means of the hazard classification of the materials to be worked. Implement the necessary measures to restrict exposure to a safe level, for example by the use of a dust collection system or by the wearing of suitable respiratory protection. The general measures for reducing exposure include:
  - ▶ working in an area that is well ventilated,
  - ▶ avoidance of prolonged contact with dust,
  - ▶ directing dust away from the face and body,
  - ▶ wearing protective clothing and washing exposed areas of the skin with water and soap.
- ▶ Apply appropriate safety measures at the opposite side of the workpiece in work that involves breaking through. Parts breaking away could fall out and / or fall down causing injury to other persons.



- ▶ When chiseling into ceilings, walls and floors, always make sure that you have a safe and firm stance. A sudden break-through can affect your balance!
- ▶ Do not touch rotating parts – risk of injury!
- ▶ Wear eye protection, a hard hat and ear protection while the product is in use.
- ▶ Wear eye protection. Flying fragments can injure the body and eyes.
- ▶ Wear protective gloves when changing the accessory tool. Touching the accessory tool can result in cuts and burns.
- ▶ Take frequent breaks and do physical exercises to improve the blood circulation in your fingers. High vibration during long periods of work can lead to disorders of the blood vessels and nervous system in the fingers, hands and wrists.

### Electrical safety

- ▶ Before beginning work, check the working area for concealed electric cables or gas and water pipes. External metal parts of the product could give you an electric shock or cause an explosion if you accidentally damage an electric cable or a gas or water pipe.

### Power tool use and care

- ▶ Switch the product off immediately if the accessory tool jams. The product might twist off-line.
- ▶ Switch the product on only after bringing it to the working position.
- ▶ Wait until the product has come to a complete stop before you lay it down.

## 2.4 Careful handling and use of batteries

- ▶ **Comply with the following safety instructions for the safe handling and use of Li-ion batteries.** Failure to comply can lead to skin irritation, severe corrosive injury, chemical burns, fire and/or explosion.
- ▶ Use only batteries that are in perfect working order.
- ▶ Treat batteries with care in order to avoid damage and prevent leakage of fluids that are extremely harmful to health!
- ▶ Do not under any circumstances modify or tamper with batteries!
- ▶ Do not disassemble, crush or incinerate batteries and do not subject them to temperatures over 80 °C (176 °F).
- ▶ Never use or charge a battery that has suffered an impact or been damaged in any other way. Check your batteries regularly for signs of damage.
- ▶ Never use recycled or repaired batteries.
- ▶ Never use the battery or a battery-operated power tool as a striking tool.
- ▶ Never expose batteries to the direct rays of the sun, elevated temperature, sparking, or open flame. This can lead to explosions.
- ▶ Do not touch the battery poles with your fingers, tools, jewelry, or other electrically conductive objects. This can damage the battery and also cause material damage and personal injury.
- ▶ Keep batteries away from rain, moisture and liquids. Penetrating moisture can cause short circuits, electric shock, burns, fire and explosions.
- ▶ Use only chargers and power tools approved for the specific battery type. Read and follow the relevant operating instructions.
- ▶ Do not use or store the battery in explosive environments.
- ▶ If the battery is too hot to touch, it may be defective. Put the battery in a place where it is clearly visible and where there is no risk of fire, at an adequate distance from flammable materials. Allow the battery to cool down. If it is still too hot to touch after an hour, the battery is faulty. Consult **Hilti** Service or read the document entitled "Instructions on safety and use for **Hilti** Li-ion batteries".



Observe the special guidelines applicable to the transport, storage and use of lithium-ion batteries.

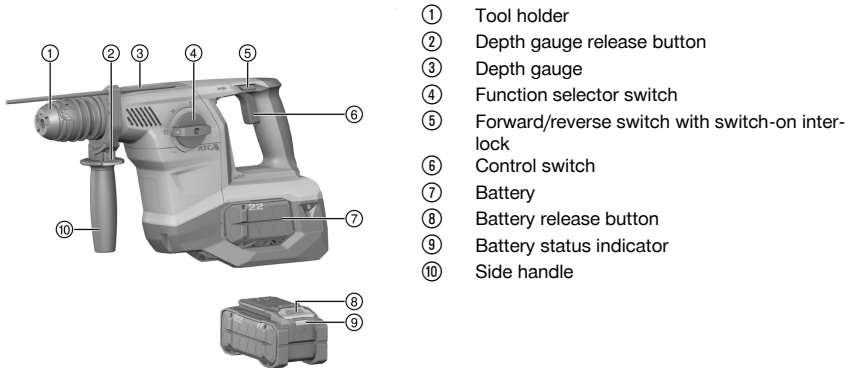


Read the instructions on safety and use of **Hilti** Li-ion batteries that you can access by scanning the QR code at the end of these operating instructions.



### 3 Description

#### 3.1 Product overview 1



#### 3.2 Intended use

The product described is a cordless SDS-Plus rotary hammer drill. It is designed for drilling in concrete, masonry, wood and metal. The product can also be used for light- to medium-duty chiseling on masonry and surface finishing work on concrete and for driving and removing screws in combination with a suitable tool holder in accordance with [www.hilti.group](http://www.hilti.group)

- For this product, use only **Hilti** Nuron lithium-ion batteries of the B 22 series. For optimum performance, **Hilti** recommends the batteries stated in the table at the end of these operating instructions for this product.
- For these batteries, use only **Hilti** chargers of the type series stated in the table at the end of these operating instructions.

#### 3.3 ATC 2

The product is equipped with the ATC (Active Torque Control) quick-acting electronic cut-out. If the accessory tool sticks or stalls, the product will suddenly pivot about its own axis in the opposite direction. ATC detects this sudden pivoting movement of the product and switches the product off immediately.



For ATC to function correctly, the product must be free to pivot.  
After an ATC cut-out, switch the product off and then on again.

#### 3.4 Active Vibration Reduction

The tool is equipped with an Active Vibration Reduction (AVR) system which reduces vibration noticeably.

#### 3.5 Status indicators of the Li-ion battery

Hilti Nuron Li-ion batteries can indicate state of charge, fault messages and the battery's state of health.

##### 3.5.1 Indicators for state of charge and fault messages



#### WARNING

##### Risk of injury by a falling battery!

- ▶ If the release button is pressed with a battery inserted in the product, subsequently check that the battery is correctly re-engaged and secure.

Short-press the release button of the battery to get whichever of the following status indications is applicable at the time.

State of charge and, if applicable, faults are indicated constantly as long as the connected product is switched on.



Status	Meaning
Four (4) LEDs show constantly green	State of charge: 100 % to 71 %
Three (3) LEDs show constantly green	State of charge: 70 % to 51 %
Two (2) LEDs show constantly green	State of charge: 50 % to 26 %
One (1) LED shows constantly green	State of charge: 25 % to 10 %
One (1) LED slow-flashes green	State of charge: < 10 %
One (1) LED quick-flashes green	The Li-ion battery is completely discharged. Recharge the battery. If the LED again starts quick-flashing after the battery has been charged, consult <b>Hilti Service</b> .
One (1) LED quick-flashes yellow	The Li-ion battery or the product in which it is inserted is overloaded, too hot or too cold, or experiencing some other fault. Bring the product and the battery to the recommended working temperature and do not overload the product when it is in use. If the message persists, consult <b>Hilti Service</b> .
One (1) LED shows yellow	The Li-ion battery and the product in which it is inserted are not compatible. Consult <b>Hilti Service</b> .
One (1) LED quick-flashes red	The Li-ion battery is locked and cannot be used. Consult <b>Hilti Service</b> .

### 3.5.2 Indicators showing the battery's state of health

To check the battery's state of health, press the release button and hold it down for longer than three seconds. The system does not detect a potential malfunction of the battery due to misuse, for example battery dropped or pierced, external heat damage, etc.

Status	Meaning
All LEDs show in sequence, followed by one (1) LED showing constantly green.	The battery can remain in use.
All LEDs show in sequence, followed by one (1) LED quick-flashing yellow.	The check to ascertain the battery's state of health did not complete. Repeat the procedure, or consult <b>Hilti Service</b> .
All LEDs show in sequence, followed by one (1) LED showing constantly red.	If a connected product can still be used, the remaining battery capacity is below 50 %. If a connected product can no longer be used, the battery has reached the end of its useful life and has to be replaced. Consult <b>Hilti Service</b> .

### 3.6 Items supplied

SDS-Plus rotary hammer drill, side handle with depth gauge, operating instructions.

Other system products approved for use with this product can be found at your local **Hilti Store** or at: [www.hilti.group](http://www.hilti.group)

## 4 Technical data

	TE 30-22
Product generation	03
Rated voltage	21.6 V
Single impact energy	3.6 J
Weight in accordance with EPTA Procedure 01, without battery	3.9 kg
Drilling diameter range in concrete/masonry (hammer drilling)	4 mm ... 28 mm
Storage temperature	-20 °C ... 70 °C
Ambient temperature for operation	-17 °C ... 60 °C



#### 4.1 Battery

<b>Battery operating voltage</b>	21.6 V
<b>Weight, battery</b>	See the end of these operating instructions
<b>Ambient temperature for operation</b>	-17 °C ... 60 °C
<b>Storage temperature</b>	-20 °C ... 40 °C
<b>Battery charging starting temperature</b>	-10 °C ... 45 °C

#### 4.2 Noise information and vibration values

The sound pressure and vibration values given in these instructions were measured in accordance with a standardized test and can be used to compare one power tool with another. They can also be used for a preliminary assessment of exposure.

The data given represent the main applications of the power tool. However, if the power tool is used for different applications, with different accessory tools, or is poorly maintained, the data can vary. This can significantly increase exposure over the total working period.

An accurate estimation of exposure should also take into account the times when the power tool is switched off, or when it is running but not actually being used for a job. This can significantly reduce exposure over the total working period.

Identify additional safety measures to protect the operator from the effects of noise and/or vibration, for example: maintaining the power tool and accessory tools, keeping the hands warm, organization of work patterns.

Detailed information on the versions of the **EN 62841** standards applied here is to be found in the reproduction of the declaration of conformity 28.

#### Noise emission values

<b>Sound (power) level</b>	102 dB
<b>Uncertainty for the sound power level / sound level</b>	3 dB
<b>Sound pressure level (<math>L_{pA}</math>)</b>	94 dB
<b>Uncertainty for the sound pressure level (<math>K_{pA}</math>)</b>	3 dB(A)

#### Total vibration

<b>Chiseling (<math>a_{h, Chis}</math>)</b>	<b>B 22-85</b>	8.5 m/s <sup>2</sup>
	<b>B 22-255</b>	7.6 m/s <sup>2</sup>
<b>Hammer drilling in concrete (<math>a_{h, HD}</math>)</b>	<b>B 22-85</b>	11.1 m/s <sup>2</sup>
	<b>B 22-255</b>	10.0 m/s <sup>2</sup>
<b>Uncertainty</b>		1.5 m/s <sup>2</sup>

## 5 Preparations at the workplace

### WARNING

#### Risk of injury by inadvertent starting!

- ▶ Before inserting the battery, make sure that the product is switched off.
- ▶ Remove the battery before making any adjustments to the power tool or before changing accessories.

Observe the safety instructions and warnings in this documentation and on the product.

#### 5.1 Charging the battery

1. Before charging the battery, read the operating instructions for the charger.
2. Make sure that the contacts on the battery and the contacts on the charger are clean and dry.
3. Use an approved charger to charge the battery. 6



## 5.2 Inserting the battery

### WARNING

#### Risk of injury by short circuit or falling battery!

- ▶ Before inserting the battery, make sure that the contacts on the battery and the contacts on the product are free of foreign matter.
- ▶ Make sure that the battery always engages correctly.

1. Charge the battery fully before using it for the first time.
2. Push the battery into the product until it engages with an audible click.
3. Check that the battery is seated securely.

## 5.3 Removing the battery

1. Press the battery release button.
2. Remove the battery from the product.

## 5.4 Fitting the side handle

### CAUTION

#### Risk of injury! Loss of control over the product.

- ▶ Check that the side handle is fitted correctly and tightened securely. Check that the clamping band is engaged in the groove in the product.

1. Release the side handle clamping band by turning the handle grip.
2. Slide the side handle clamping band over the tool holder from the front and into the recess provided.
3. Set the side handle to the desired position.
4. Tighten the side handle clamping band by turning the handle grip.

## 5.5 Fall arrest

### WARNING

#### Risk of injury by falling tool and/or accessory!

- ▶ Use only the **Hilti** tool tether recommended for your product.
- ▶ Prior to each use, always check the attachment point of the tool tether for possible damage.



Comply with the national regulations for working at heights.

As drop arrester for this product, use only the **Hilti** tool tether #2261971.

- ▶ Use the loop to secure the tool tether to the product as shown in the illustration. Check that it holds securely.
- ▶ Secure the carabiner to a load-bearing structure. Check that the carabiner holds securely.



Comply with the operating instructions of the **Hilti** tool tether.

## 5.6 Adjusting the depth gauge (optional)

1. Press the release button on the side handle.
2. Adjust the depth gauge to the desired drilling depth.
3. Release the release button.
4. Check that the side handle is securely attached.

## 5.7 Removing the tool holder

### CAUTION

#### Risk of injury. The depth gauge, if fitted but not used, might hinder the operator.

- ▶ Remove the depth gauge from the product.





Set the function selector switch to the **T** “Chiseling” position for changing the tool holder.

1. Grip the tool holder as shown in the illustration and pull the three tool holder release rings upwards.
2. Lift the tool holder up and off.

## 5.8 Fitting the tool holder **7**

### CAUTION

**Risk of injury.** The depth gauge, if fitted but not used, might hinder the operator.

- ▶ Remove the depth gauge from the product.



When changing the tool holder, set the function selector switch to this position: **T**.

1. Grip the tool holder as shown in the illustration and pull the three tool holder release rings upwards.
2. Install the tool holder on the mount.
3. Rotate the tool holder until it engages in position.

## 5.9 Inserting accessory tool **3**

1. Lightly grease the connection end of the accessory tool.
  - ▶ Use only genuine **Hilti** grease. Using the wrong grease can result in damage to the product.
2. Push the accessory tool into the tool holder as far as it will go (until it engages).
3. After fitting the accessory tool, grip it and pull it in order to check that it is securely engaged.
  - ▶ The product is ready for use.

## 5.10 Removing accessory tool **3**

### CAUTION

**Risk of injury by the accessory tool!** The accessory tool might be hot or have sharp edges.

- ▶ Wear protective gloves when changing the accessory tool.
- ▶ Pull the tool lock back as far as it will go and remove the accessory tool.

## 6 Operation

Observe the safety instructions and warnings in this documentation and on the product.

### 6.1 Switching on / off

1. To switch the product on, operate the control switch.



Speed can be controlled steplessly by varying how far the control switch is pressed in.

2. To switch the product off, release the control switch.

### 6.2 Forward / reverse **10**

- ▶ Set the forward / reverse switch to the desired direction of rotation.

### 6.3 Function selector switch **11**

- ▶ Set the function selector switch to the desired working position.
  - ▶ Do not operate the function selector switch while the motor is running. **Risk of damage!**

#### 6.3.1 Drilling without hammering

- ▶ Set the function selector switch to this symbol:

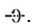




### 6.3.2 Drilling with hammering action (hammer drilling)

- ▶ Set the function selector switch to this symbol: .

### 6.3.3 Chisel positioning

- ▶ Set the function selector switch to this symbol: .
  - ▶ The chisel can be adjusted to 12 different positions (in 30° increments). This ensures that flat chisels and shaped chisels can always be set to the optimum working position.

### 6.3.4 Chiseling

- ▶ Set the function selector switch to this symbol: .

## 6.4 Screwdriving

1. Change the tool holder.
2. Set the forward/reverse switch to the desired direction of rotation.

## 7 Care and maintenance

### WARNING

#### Risk of injury with battery inserted !

- ▶ Always remove the battery before carrying out care and maintenance tasks!

#### Care of the product

- Carefully remove stubborn dirt.
- Carefully clean the air vents, if present, with a dry, soft brush.
- Use only a slightly damp cloth to clean the housing. Do not use cleaning agents containing silicone as these can attack the plastic parts.
- Use a dry, clean cloth to clean the contacts of the product.

#### Care of the Li-ion batteries

- Never use a battery with clogged air vents. Clean the air vents carefully using a dry, soft brush.
- Avoid unnecessary exposure of the battery to dust and dirt. Never expose the battery to high levels of moisture (e.g. by being dipped in water or left in the rain).  
If a battery has been soaked by moisture, treat it as a damaged battery. Isolate it in a non-flammable container and consult **Hilti Service**.
- Keep the battery free of extraneous oil and grease. Do not permit dust or dirt to accumulate unnecessarily on the battery. Clean the battery with a dry, soft brush or a clean, dry cloth. Do not use cleaning agents containing silicone as these can attack the plastic parts.  
Do not touch the contacts of the battery and do not remove the factory-applied grease from the contacts.
- Use only a slightly damp cloth to clean the housing. Do not use cleaning agents containing silicone as these can attack the plastic parts.

#### Maintenance

- Check all visible parts and controls for signs of damage at regular intervals and make sure that they all function correctly.
- Do not use the product if signs of damage are found or if parts malfunction. Immediately have the product repaired by **Hilti Service**.
- After cleaning and maintenance, install all guards and protective devices and check that they are in full working order.



To help ensure safe and reliable operation, use only genuine Hilti spare parts and consumables. Spare parts, consumables and accessories approved by **Hilti** for use with your product can be found at your **Hilti Store** or online at: [www.hilti.group](http://www.hilti.group)



## 8 Transport and storage of cordless tools and batteries

### Transport

#### CAUTION

#### Accidental starting during transport !

- ▶ Always transport your products with the batteries removed!
- ▶ Remove the battery/batteries.
- ▶ Never transport batteries loose and unprotected. During transport, batteries should be protected from excessive shock and vibration and isolated from any conductive materials or other batteries that may come in contact with the terminals and cause a short circuit. **Comply with the locally applicable regulations for transporting batteries.**
- ▶ Do not send batteries through the mail. Consult your shipper for instructions on how to ship undamaged batteries.
- ▶ Prior to each use and before and after prolonged transport, check the product and the batteries for damage.

### Storage

#### WARNING

#### Accidental damage caused by defective or leaking batteries !

- ▶ Always store your products with the batteries removed!
- ▶ Store the product and the batteries in a cool and dry place. Comply with the temperature limits stated in the technical data.
- ▶ Do not store batteries on the charger. Always remove the battery from the charger when the charging operation has completed.
- ▶ Never leave batteries in direct sunlight, on sources of heat, or behind glass.
- ▶ Store the product and batteries where they cannot be accessed by children or unauthorized persons.
- ▶ Prior to each use and before and after prolonged storage, check the product and the batteries for damage.

## 9 Troubleshooting

If a problem occurs, always observe the charge-status and fault indicator of the battery. See the section headed **Status indicators of the Li-ion battery**.

If the trouble you are experiencing is not listed in this table or you are unable to remedy the problem by yourself, please contact **Hilti Service**.

Trouble or fault	Possible cause	Action to be taken
No hammering action.	The product is too cold.	▶ Bring the product into contact with the working surface, switch it on and allow it to idle. If necessary, repeat the procedure until the hammering mechanism begins to operate.
The battery runs down more quickly than usual.	Battery condition is not optimal.	▶ Call up the battery's state of health.  6
LEDs of the battery show nothing.	Battery defective.	▶ Contact <b>Hilti Service</b> .
The battery doesn't engage with an audible click.	The retaining lugs on the battery are dirty.	▶ Clean the retaining lug and refit the battery.
The control switch can't be pressed, i.e. the switch is locked.	The forward / reverse switch is in the middle position.	▶ Push the forward / reverse switch to the right or left.
The drive spindle doesn't rotate.	Battery defective.	▶ Contact <b>Hilti Service</b> .
Product switches off if drill bit jams.	The electronic safety shut-down has tripped to prevent further jamming.	▶ Release the drill bit.



Trouble or fault	Possible cause	Action to be taken
Product or battery gets very hot.	Electrical fault	▶ Immediately switch off the product. Remove the battery and keep it under observation. Allow it to cool down. Contact <b>Hilti</b> service.
The insert tool cannot be released from the chuck.	Tool holder not pulled back fully.	▶ Pull the tool lock back as far as it will go and remove the accessory tool.
The drill bit makes no progress.	Product has been set to reverse rotation.	▶ Move the forward / reverse switch to the "Forward" position.
The drill bit does not rotate.	The function selector switch is not engaged or is in the "Chiseling" position <b>T</b> or the "Chisel positioning" position $\rightarrow$ .	▶ With the motor at a standstill, set the function selector switch to the "Hammer drilling" <b>IT</b> position.
Product does not start.	The electronic restart interlock is activated after an interruption in the electricity supply.	▶ Release the control switch and then press it again.

## 10 Disposal

### WARNING

**Risk of injury due to incorrect disposal!** Health hazards due to escaping gases or liquids.

- ▶ DO NOT send batteries through the mail!
- ▶ Cover the terminals with a non-conductive material (such as electrical tape) to prevent short circuiting.
- ▶ Dispose of your battery out of the reach of children.
- ▶ Dispose of the battery at your **Hilti Store**, or consult your local governmental garbage disposal or public health and safety resources for disposal instructions.

Most of the materials from which **Hilti** products are manufactured can be recycled. The materials must be correctly separated before they can be recycled. In many countries, your old tools, machines or appliances can be returned to **Hilti** for recycling. Ask **Hilti** Service or your Hilti sales representative for further information.



- ▶ Do not dispose of power tools, electronic equipment or batteries as household waste!

## 11 Manufacturer's warranty

- ▶ Please contact your local **Hilti** representative if you have questions about the warranty conditions.

## 12 Further information


For more information on operation, technology, environment and recycling, follow this link: [qr.hilti.com/manual?id=2264906&id=2264908](https://qr.hilti.com/manual?id=2264906&id=2264908)

This link is also to be found at the end of the documentation, in the form of a QR code.



**1 מידע על הוראות הפעלה**

**1.1 על הוראות הפעלה אלו**

- **אזהרה!** לפני השימוש במוצר יש לקרוא ולהבין את הוראות הפעלה המצורפות למוצר, כולל ההערות, הוראות הבטיחות והאזהרות, האיורים והמפרטים. יש ללמוד במיוחד את כל הוראות הבטיחות, האזהרות, המפרטים והפונקציות השונות של המוצר. התעלמות מהנחיה זו מובילה לסכנת התחשמלות, שריפה ופציעות קשות. שמור את הוראות הפעלה, כולל כל הוראות הבטיחות והאזהרות לצורך שימוש בעתיד.
- המוצרים של **HILTI** מיועדים למשתמש המקצועי, ורק אנשים מורשים, שעברו הכשרה מתאימה, רשאים לתפעל, לתחזק ולתקן אותם. אנשים אלה חייבים ללמוד באופן מיוחד את הסכנות האפשריות. המוצר המתואר והעדרים שלו עלולים להיות מסוכנים כאשר אנשים שלא עברו הכשרה מתאימה משתמשים בהם באופן לא מקצועי או כאשר משתמשים בהם שלא בהתאם לייעוד.
- הוראות הפעלה המצורפות נכתבו בהתאם לידיעות הטכנולוגיות במועד השליחה לדפוס. את הגרסה העדכנית ביותר אפשר למצוא תמיד בדף המוצר של Hilti. כדי להגיע לשם, יש לטרוק את קוד ה-QR בהוראות הפעלה האלה, מסומן בסמל .
- אם אתה מעביר את המוצר לאדם אחר, מסור לו גם את הוראות הפעלה האלה.

**1.2 הסבר הסימנים**

**1.2.1 אזהרות**

האזהרות מזהירות מפני סכנות בשימוש במוצר. במדריך זה מופיעות מילות המפתח הבאות:






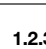
**⚠ סכנה**  
**⚠ סכנה!**  
 ← מציינת סכנה מיידית, המובילה לפציעות גוף קשות או למוות.

**⚠ אזהרה**  
**⚠ אזהרה!**  
 ← מציינת סכנה אפשרית, שיכולה להוביל לפציעות גוף קשות או למוות.

**⚠ זehירות**  
**⚠ זehירות!**  
 ← מציינת מצב שעלול להיות מסוכן ולהוביל לפציעות גוף או לנדקים לרכוש.

**1.2.2 סמלים בהוראות הפעלה**

הסמלים הבאים מופיעים בהוראות הפעלה אלה:

שים לב להוראות הפעלה	
הנחיות לשימוש ומידע שימושי נוסף	
טיפול נכון בחומרים למיחזור	
אין להשליך לפסולת הביתית מכשירים חשמליים וסוללות	
Hilti סוללת ליתיום-יון	
Hilti מטען	

**1.2.3 סמלים באיורים**

הסמלים הבאים משמשים באיורים:

מספרים אלה מפנים לאיור המתאים בתחילת הוראות הפעלה אלה.	<b>2</b>
המספרים באיורים מפנים לשלבי עבודה חשובים או לרכיבים שחשובים לשלבי העבודה. שלבי עבודה אלה או רכיבים אלה מודגשים בטקסט במספרים מתאימים, לדוגמה (3).	<b>3</b>
מספרי הפריטים מופיעים באיור <b>סקירה</b> ותואמים את המספרים במקרא בפרק <b>סקירת המוצר</b> .	<b>11</b>



סימן זה אמור לעורר את תשומת לבך המיוחדת בעת השימוש במוצר.

<b>1.3 סמלים התלויים בדגם המוצר</b>	
<b>1.3.1 סמלים על המוצר</b>	
הסמלים הבאים עשויים להופיע על המוצר:	
	קידוח ללא הלימה
	קידוח עם הלימה
	חציבה
	מיקום האזמל
	כיוון הסיבוב
	קוטר
	מהירות סרק נקובה
	סיבובים לדקה /min
	זרם ישר
	המוצר תומך בטכנולוגיית NFC, התואמת את פלטפורמות iOS ו-Android.
	סוללת ליתיום-יון Li-Ion
	לעולם אין להשתמש בסוללה כפטיש.
	אין להפיל את הסוללה. אין להשתמש בסוללה שנחבטה או שניזוקה באופן אחר.

## 2 בטיחות

### 2.1 הוראות בטיחות כלליות לכלי עבודה חשמליים

**⚠ אזהרה קרא את כל הוראות הבטיחות, ההנחיות, האיוורים והנתונים הטכניים המצורפים לכלי העבודה החשמלי.** אי ציות להנחיות עלול להוביל להתחשמלות, לשרפה ו/או לפציעות קשות.

**שמור את כל הוראות הבטיחות וההנחיות לעיון בעתיד.**

המונח "כלי עבודה חשמלי" המשמש בהוראות הבטיחות מתייחס לכלי עבודה חשמליים המחוברים לרשת החשמל (עם כבל חשמל) או לכלי עבודה חשמליים המופעלים באמצעות סוללה נטענת (ללא כבל חשמל).

#### בטיחות במקום העבודה

- ◀ **שמור על אזור העבודה שלך כקי ודאג לתאורה מספקת.** חוסר סדר או תאורה לקויה במקום העבודה עלולים לגרום לתאונות.
- ◀ **אין להפעיל את כלי העבודה החשמלי בסביבה שקיימת בה סכנת פיצוץ או שיטתם בה נוזלים, גזים או אבק דליקים.** כלי עבודה חשמליים יוצרים ניצוצות, שעלולים להצית את האבק או האדים.
- ◀ **הרחק ילדים ואנשים אחרים מכלי העבודה החשמלי במהלך השימוש בו.** אם דעתך תוסח אתה עלול לאבד את השליטה במכשיר.

#### בטיחות בחשמל

- ◀ **תקע החשמל של כלי העבודה החשמלי חייב להתאים לשקע החשמל.** אסור לשנות בשום אופן את תקע החשמל. אל תשתמש בשקע מתאם בידוד עם כלי עבודה חשמליים הכוללים הגנת הארקה. שימוש בתקעים חשמליים שלא עברו שינוי ושקעי חשמל מתאימים מפחית את הסיכון להתחשמלות.
- ◀ **מנע מגע של הגוף בשטחים מוארקים כגון צינורות, גופי חימום, תנורים ומקררים.** קיימת סכנה גבוהה להתחשמלות כאשר הגוף שלך מוארק.
- ◀ **הרחק כלי עבודה חשמליים מגשם או רטיבות.** חידרת מים לכלי העבודה החשמלי מגדילה את הסיכון להתחשמלות.



- אל תשתמש בכלל החשמל למטרות שלא לשמן הוא נועד, לדוגמה: אל תרים את כלי העבודה החשמלי באמצעות הכבל ואל תנסה לנתק את התקע משקע החשמל במשיכה מהכבל. הרחק את הכבל מחום, שמן, פיצוץ חדות או מחלקים נעים. כבלים שניזוקו או שהסתבכו בחלקים אחרים מגדילים את הסיכון להתחשמלות.
- כאשר אתה עובד עם כלי העבודה החשמלי בחוץ, השתמש רק בכבל מאריך המיועד לשימוש חיצוני. שימוש בכלל מאריך המתאים לשימוש חיצוני מפחית את הסיכון להתחשמלות.
- אם לא ניתן להימנע משימוש בכלי העבודה החשמלי בסביבה לחה, השתמש במסמר פחת. השימוש במסמר פחת מפחית את הסיכון להתחשמלות.

#### בטיחות של אנשים

- היה ערבי, שים לב למה שאתה עושה, ופעל בתבונה כאשר אתה עובד עם כלי עבודה חשמלי. אל תפעיל כלי עבודה חשמליים כשאתה עייף או תחת השפעת סמים, אלכוהול או תרופות. די ברגע אחד של חוסר תשומת-לב בזמן השימוש בכלי העבודה החשמלי כדי לגרום פציעות קשות.
- לבש תמיד ציוד מגן ומשקפי מגן. לבישת ציוד מגן אישי, כגון מסכת אבק, נעלי בטיחות מונעות החלקה, קסדת מגן או מגני שמיעה - בהתאם לסוג השימוש בכלי העבודה החשמלי - מקטינה את הסיכון לפציעות.
- מנע הפעלה בשוגג. ודא שכלי העבודה החשמלי כבוי לפני שאתה מחבר אותו לאספקת החשמל ו/או לפני שאתה מחבר את הסוללה ולפני הרמתו. אל תניח את אצבעך על המתג בזמן שאתה נושא את המכשיר ואל תחבר אותו לאספקת החשמל כאשר הוא מופעל, אחרת עלולות להיגרם תאונות.
- הרחק כלי כוונון או מפתחות ברגים לפני שאתה מפעיל את כלי העבודה החשמלי. כלי עבודה או מפתחות הנמצאים בקרבת חלקים מסתובבים עלולים לגרום פציעות.
- הימנע מתכונות גוף לא נכונות. עמוד באופן יציב ושומר תמיד על שיווי משקל. כך תוכל לשלוט טוב יותר בכלי העבודה החשמלי במצבים לא צפויים.
- לבש בגדים מתאימים. אל תלבש בגדים רחבים או תכשיטים. הרחק את השער, הבגדים וכפפות מחלקים נעים. בגדים ורופים, תכשיטים ושיער ארוך עלולים להיתפס בחלקים נעים.
- כאשר ייתכן להתקין התקני שאיבת אבק ולכידה יש לזווד שהם מחוברים לחשמל, יש להקפיד להשתמש בהם בצורה נכונה. שימוש בהתקן שאיבת אבק מסקין את הסכנות הנובעות מהאבק.
- אל תהיה שאנן בנושא בטיחות ואל תתעלם מהוראות בטיחות של כלי עבודה חשמליים, גם אם השתמשת במכשיר פעמים רבות ואתה מכיר אותו היטב. התנהגות רשלנית עלולה להוביל לפציעות קשות בתוך שניות.

#### שימוש וטיפול בכלי העבודה החשמלי

- אל תפעיל עומס רב מדי על המכשיר. השתמש בכלי העבודה החשמלי המתאים לעבודה שאתה מבצע. כלי העבודה החשמליים המתאים מבטיח לך עבודה טובה ובטוחה יותר בתחום ההספק הנכון.
- אל תשתמש בכלי העבודה אם המתג שלו אינו תקין. כלי עבודה חשמלי שלא ניתן עוד להפעיל או לכבות אותו מהווה סכנה ויש לתקנו.
- נתק את תקע החשמל מהשקע ו/או הסר את הסוללה לפני שאתה מבצע כוונונים במכשיר, מחליף כלים או לאחר שאתה מפסיק לעבוד עם המכשיר. אמצעי זהירות זה מונע הפעלה בשוגג של כלי העבודה החשמלי.
- שמור כלי עבודה חשמליים שאינם בשימוש הרחק מהישג ידם של ילדים. אל תאפשר לאנשים שאינם יודעים כיצד להשתמש במכשיר או שלא קראו את ההוראות להשתמש במכשיר. כלי עבודה חשמליים הם מסוכנים כאשר משתמשים בהם אנשים חסרי ניסיון.
- טפל בכלי עבודה חשמליים ובאביזרים בהקפדה. בדוק אם החלקים הנעים פועלים בצורה חלקה ואינם נתקעים, אם ישנם חלקים שבורים או מקולקלים המשבשים את הפעולה התקינה של כלי העבודה החשמלי. לפני השימוש במכשיר דאג לתיקון חלקים לא תקינים. תאונות רבות נגרמו עקב תחזוקה לקויה של כלי עבודה חשמליים.
- שמור על כלי החיתוך חדים ונקיים. כלי חיתוך מטופלים היטב, שלהביהם חדים נתקעים פחות וקלים יותר לתפעול.
- השתמש בכלי העבודה החשמלי, בכלי העבודה הנוספים וכן הלאה בהתאם להוראות אלה. התחשב בתנאי העבודה ובפעולה שעליך לבצע. שימוש בכלי העבודה החשמלי למטרות אחרות מאלה שלשמן הוא מיועד עלול להיות מסוכן.
- שמור על ידיות ואזורי אחיזה נקיים מלכלוך משומן ומגריז. ידיות ואזורי אחיזה חלקים אינם מאפשרים תפעול בטוח ושליטה טובה בכלי העבודה החשמלי במצבים לא צפויים.

#### שימוש וטיפול בכלי עבודה בטענים

- טען את הסוללות רק במטענים שהומלצו על ידי היצרן. טעינה של סוללה במטען המיועד לטעינה של סוללות מסוג אחר עלולה לגרום לשרפה.
- השתמש לשם כך רק בסוללות המתאימות לכלי העבודה החשמלי. שימוש בסוללות אחרות עלול לגרום לשרפות.
- שמור סוללות שאינן בשימוש הרחק ממהדי בייר משרדיים, ממטבעות, מפתחות, מסמרים, ברגים או חפצים מתכתיים קטנים אחרים שיכולים לגשר בין המגעים. קצר בין מגעי הסוללה עלול לגרום לכוויות או לשרפה.
- שימוש שגוי עלול לגרום לדליפת נוזלים מהסוללה. אל תיגע בנוזלים אלה. אם נגעת בהם במקרה, שטוף את האזור במים. אם הנוזל נוגע בעיניים, פנה לרופא. נחל סוללות שדלף עלול לגרום לגירויים בעור ולכוויות.
- אין להשתמש בסוללה ששונתה או שניזוקה. סוללות שניזוקו או שנערכו בהן שינויים עשויים להגיב בצורה לא צפויה ולגרום לשרפה, לפיצוץ ולפציעות.
- אין לחשוף סוללות לאש או לטמפרטורות גבוהות. אש או טמפרטורות גבוהות מ-130°C (265°F) עלולות לגרום לפיצוץ.
- ציית לכל ההנחיות הנובעות לטעינה, ואף פעם אל תטען את הסוללה או את הכלי עם הסוללה בסביבה שהטמפרטורה בה נמצאת מחוץ לטווח המצויין בהוראות ההפעלה. טעינה שגויה או טעינה בטמפרטורה שנמצאת מחוץ לטווח המצויין בהוראות ההפעלה עלולה להרוס את הסוללה ולהגביר את הסיכון לשרפה.



- ◀ **דאג לתיקון כלי העבודה החשמלי שלך רק בידי טכנאים מוסמכים, המשתמשים בחלקי חילוף מקוריים בלבד.** כך תבטיח שמירה על בטיחות העבודה במכשיר.
- ◀ **אל תטפל בעצמך בסוללות שניזקו.** רק היצרן או מעבדה מורשית מטעמו רשאים לטפל בסוללות.

## 2.2 הוראות בטיחות לפטישונים

### הנחיות בטיחות לכל העבודות

- ◀ **השתמש במגני שמיעה.** רעש חזק עלול לפגוע בשמיעה.
- ◀ **השתמש בידידות האחידה הנוספות המצורפות למכשיר.** אובדן השליטה במכשיר עלול לגרום לפציעות.
- ◀ **כאשר אתה במצב עבודה שבהן כלי העבודה עלול לפגוע בקווי חשמלי מוסתרים אחוד במכשיר במקומות האחידה המבודדים.** מגע בקווים המוליכים זרם עלול להעביר זרם גם לחלקים מתכתיים במכשיר שלך ולגרום להתחשמלות.

### הנחיות בטיחות לשימוש במקדחים ארוכים

- ◀ **התחל כל קידוח בסל"ד נמוך, כשהמקדח בוגע בחלק שבעבודה.** קידוח בסל"ד גבוה יותר עשוי לגרום למקדח להתעקם מעט כאשר הוא מסתובב בחופשיות ללא מגע בחלק שבעבודה ולגרום לפציעות.
- ◀ **דחף את המקדח רק בכיוון האורכי ולא הפעלת לחץ מופרז.** המקדחים עשויים להתעקם ועקב כך להישבר או לגרום לאובדן שליטה ולפציעות.

## 2.3 הוראות בטיחות נוספות

### בטיחות של אנשים

- ◀ השתמש במוצר ובאביזרים רק בתנאי שהם נמצאים במצב טכני מושלם.
- ◀ אל תבצע בשום אופן שינויים או מניפולציות במוצר או באביזרים.
- ◀ השתמש בידידות העדר המצורפות למוצר. שמור על ידידות האחידה בקיות ויבשות. אובדן השליטה במכשיר עלול לגרום לפציעות.
- ◀ עמוד יציב כשאתה משתמש במוצר. ודא שאתה עומד בשיווי משקל ובשליטה מלאה לפני שאתה מתחיל לעבוד.
- ◀ סכנת פציעה מכלי עבודה ו/או אביזרים נופלים. לפני תחילת העבודה בדוק שהסוללה והאביזר המותקן מחוברים היטב. שמור על חריצי האוויר פנויים תמיד. סכנת כוויה כשחריצי האוויר מכוסים!
- ◀ אבק שנוצר במהלך ליטוש, השחזה, חיתוך או קידוח עלול להכיל כימיקלים מסוכנים. להלן כמה דוגמאות: עופרת או צבעים על בסיס עופרת; לבנים, בטון וחומרי קיר אחרים, אבן טבעית ומוצרים אחרים המכילים טיילקט; עצים מסוימים, כגון אלון, בוק ועץ שעבר טיפול כימי; אסבסט או חומרים המכילים אסבסט. יש למדוד את חשיפת המשתמש והאנשים בסביבה על פי דירוג הסכנה של החומרים שבהם עובדים. נקט את האמצעים הדרושים כדי לשמור את החשיפה ברמה בטוחה, לדוגמה שימוש במערכות שאיבת אבק או לבישת מסיכת נשימה מתאימה. להלן רשימה של אמצעים כלליים להפחתת החשיפה:
  - ◀ עבודה באזור מאוורר היטב.
  - ◀ הימנעות ממגע ממושך עם האבק.
  - ◀ סילוק האבק מהפנים והגוף.
  - ◀ לבישת ביגוד מגן ושטיפת אזורים חשופים במים וסבון.
- ◀ בעבודות פריצה יש לאבטח את האזור בצד הנגדי של מקום העבודה שלך. חומרים מעבודות הפריצה עשויים ליפול ולפצוע אנשים אחרים.
- ◀ הקפד על עמידה יציבה בעת חציבה בתקרה, בקיר וברצפה. פריצה פתאומית עלולה לגרום לך לאבד שיווי משקל!
- ◀ אין לגעת בחלקים מסתובבים – סכנת פציעה!
- ◀ לבש מגני עיניים, קסדת עבודה ומגני שמיעה בזמן העבודה.
- ◀ השתמש במגני עיניים. שבבי חומר שניתדים עלולים לפצוע את הגוף והעיניים.
- ◀ לבש נעלי בטיחות בעת החלפת כלי. מגע בכלי עלול לגרום לפציעות ולכוויות.
- ◀ ערוך הפסקות תכופות ותרגילים לשיפור זרימת הדם לאצבעות. בעבודה ממושכת הרעידות החזקות מהמכשיר עשויות לגרום להפרעות בכלי הדם או במערכת העצבים של האצבעות, כפות הידיים או שורשי כף היד.

### בטיחות בחשמל

- ◀ לפני תחילת העבודה בדוק אם ישנם כבלי חשמל, צינורות גז או מים נסתרים. חלקים מתכתיים חיצוניים על המכשיר עלולים לגרום התחשמלות או פיצוץ כאשר פוגעים בכבל חשמל, בצינור גז או מים.

### טיפול ושימוש קפדיים בכלי עבודה חשמליים



- ◀ כבה את המוצר מיד אם הכלי נתקע. המכשיר עשוי לסטות הצדה.
- ◀ הפעל את המוצר רק כשאתה נמצא בעמדת העבודה.
- ◀ המתן עד לעצירה מלאה של המוצר לפני שאתה מניח אותו.

## 2.4 טיפול ושימוש קפדיים בסוללות נטענות

- ◀ **שים לב להוראות הבטיחות הבאות בנושא טיפול בטוח ושימוש בטוח בסוללות ליתיום-יון.** אי הקפדה עשוי להוביל לגירויים בעור, פציעות צריבה קשות, כוויות כימיות, לדליקה ו/או לפיצוץ.
- ◀ השתמש רק בסוללות שנמצאות במצב טכני מושלם.



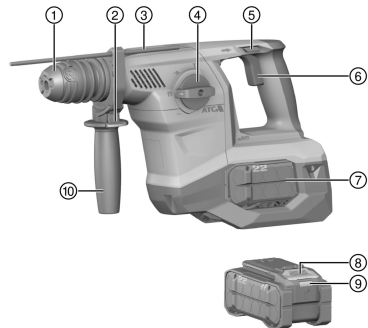
- ◀ טפל בסוללות בהקפדה כדי למונע נזקים ולמונע דליפה של נוזלים מסוכנים לבריאות!
- ◀ בשום אופן אסור להכניס שינויים כלשהם בסוללות!
- ◀ אין לפרק, למעוך, לחמם לטמפרטורה גבוהה מ-80°C (176°F) או לשרוף את הסוללות הנטענות.
- ◀ אל תשתמש או תטען סוללות שקיבלו מכה או ניזוקו בדרך אחרת. בדוק את הסוללות שלך באופן סדיר כדי לזהות סימני נזק.
- ◀ בשום אופן אין להשתמש בסוללות ממוחזרות או מתוקנות.
- ◀ לעולם אין להשתמש בסוללה או בכלי עבודה חשמלי המופעל בסוללה כפטיש.
- ◀ לעולם אין לחשוף את הסוללה לקרינת שמש ישירה, לטמפרטורה גבוהה, לניצוצות או ללהבה גלויה. זה עלול להוביל לפיצוץ.
- ◀ אל תיעג בקוטבי הסוללה באצבעותיך, באמצעות כלי עבודה, תכשיטים או באמצעות עצמים מוליכי חשמל אחרים. זה עלול לפגוע בסוללה כמו גם לגרום נזק רכוש ופציעות.
- ◀ הרחק סוללות מרטיבות ונוזלים. חדירת לחות עלולה לגרום קצר, התחשמלות, כוויות, דליקה ופיצוץ.
- ◀ השתמש רק במטענים ובכלי עבודה חשמליים המיועדים לסוג סוללה זה. שים לב בנושא זה לדרישות המופיעות בהוראות ההפעלה המתאימות.
- ◀ אין להשתמש בסוללה בסביבה נפיצה או לאחסן אותה בסביבה נפיצה.
- ◀ אם הסוללה חמה כל כך שלא ניתן לגעת בה, ייתכן שהיא אינה תקינה. הנח את הסוללה במקום לא דליק, גלוי, רחוק מספיק מחומרים דליקים. אפשר לסוללה להתקרר. אם כעבור שעה הסוללה עדיין חמה מדי לנגיעה, אד היא פגומה. פנה לשירות של **Hilti** או קרא את המסמך "הנחיות בנושא בטיחות ושימוש בסוללות ליתיום-יון של **Hilti**".

שים לב לתקנות המיוחדות החלות על הובלה, אחסון ושימוש בסוללות ליתיום-יון.  24 קרא את ההנחיות בנושא בטיחות ושימוש בסוללות ליתיום-יון של **Hilti**; אפשר להגיע אליהן דרך קוד ה-QR שבסוף הוראות אלה. 

**3 תיאור**

**3.1 סקירת המוצר**

- ① תפסנית
- ② לחצן שחרור מעצור העומק
- ③ מעצור עומק
- ④ ברור פעולות
- ⑤ מתג כיוון סיבוב עם חסימת הפעלה
- ⑥ מתג הפעלה
- ⑦ סוללה
- ⑧ לחצן שחרור סוללה
- ⑨ תצוגת מצב סוללה
- ⑩ ידית אחיזה צדית




**3.2 שימוש בהתאם ליעוד**

המוצר המתואר הוא פטישון SDS-Plus המופעל באמצעות סוללה. הוא מיועד לעבודות קידוח בבטון, קירות לבנים, עץ ומתכת. אפשר להשתמש במוצר גם לעבודות חציבה קלות עד בינוניות בקירות ולטיפול משלים בבטון וכן להחדרה ולשחרור של ברגים בשילוב עם תפסנית מתאימה לפי [www.hilti.group](http://www.hilti.group)

- השתמש עבור מוצר זה רק בסוללות ליתיום-יון Hilti Nuron מסדרת הדגמים B 22. כדי להשיג ביצועים אופטימליים, Hilti ממליצה להשתמש עבור מוצר זה בסוללות המצוינות בסוף הוראות ההפעלה האלה.
- השתמש עבור סוללות נטענות אלה רק במטענים של Hilti מסדרות הדגמים המצוינות בטבלה סוף הוראות הפעלה אלה.

**3.3 2 ATC**

המוצר מצויד בפונקציית כיבוי אלקטרוני מהיר (ATC (Active Torque Control). אם הכלי המחובר נחסם או נתקע, המוצר יתחיל להסתובב בפתאומיות בצורה לא מבוקרת לכיוון הפון. ATC מזהה את תנועת הסיבוב הפתאומית הזו של המוצר ומכבה מיד את המוצר.

לצורך תפקוד תקין המוצר צריך להיות מסוגל להסתובב. לאחר הכיבוי המהיר, כבה את המוצר והפעל אותו מחדש. 





### 3.4 Active Vibration Reduction

המוצר מצויד במערכת Active Vibration Reduction (AVR), שמפחיתה את הרעידות באופן משמעותי.

### 3.5 תצוגות סלולת הליתיום-יון

סוללות ליתיום-יון של Hilti Nuron יכולות להציג את רמת הטעינה, הודעות שגיאה ואת מצב הסוללה.

### 3.5.1 תצוגות של רמת הטעינה והודעות שגיאה

**אזהרה** ⚠️

**סכנת פציעה עקב סוללה שנפלה!**

לאחר לחיצה על לחצן שחרור הנעילה בסוללה מחוברת, יש לוודא שהסוללה נבעלת בחזרה במקום.

כדי לראות אחת מהתצוגות האלה, לחץ קצרות על לחצן שחרור הסוללה. רמת הטעינה כמו גם תקלות אפשריות יוצגו ברציפות כל עוד המוצר המחובר מופעל.

מצב	משמעות
ארבע (4) נוריות מאירות ברציפות בירוק	רמת טעינה: 100% עד 71%
שלוש (3) נוריות מאירות ברציפות בירוק	רמת טעינה: 70% עד 51%
שתי (2) נוריות מאירות ברציפות בירוק	רמת טעינה: 50% עד 26%
נורית אחת (1) מאירה ברציפות בירוק	רמת טעינה: 25% עד 10%
נורית אחת (1) מהבהבת לאט בירוק	רמת טעינה: > 10%
נורית אחת (1) מהבהבת מהר בירוק	סוללת הליתיום-יון ריקה לגמרי. טען את הסוללה. אם הנורית ממשיכה להבהב גם לאחר טעינה סוללות, פנה לשירות של Hilti.
נורית אחת (1) מהבהבת מהר בצהוב	סוללת הליתיום-יון או המוצר המחובר אליה חמים מדי, קרים מדי, תחת עומס-יתר או ישנה תקלה אחרת. הבא את המוצר והסוללה לטמפרטורת העבודה המומלצת, ואל תפעיל עומס מופרד על המוצר במהלך השימוש. אם ההודעה עדיין קיימת, פנה לשירות של Hilti.
נורית אחת (1) מאירה בצהוב.	סוללת הליתיום-יון והמוצר המחובר אליה אינם תואמים. אנא פנה למעבדת שירות של Hilti.
נורית אחת (1) מהבהבת במהירות באדום	סוללת הליתיום-יון חוסמה, ואי אפשר להמשיך ולהשתמש בה. אנא פנה למעבדת שירות של Hilti.

### 3.5.2 תצוגות של מצב הסוללה

כדי לבדוק את מצב הסוללה, החזק את לחצן השחרור לחוץ במשך יותר משלוש שניות רצופות. המערכת אינה מזדה תקלה פוטנציאלית בתפקוד הסוללה עקב שימוש לא נכון, לדוגמה נפילה, חתכים או מקי חום חיצוניים וכן הלאה.

מצב	משמעות
כל הנוריות מאירות כאור רץ, ולאחר מכן נורית אחת (1) מאירה ברציפות בירוק.	אפשר להמשיך ולהשתמש בסוללה.
כל הנוריות מאירות כאור רץ, ולאחר מכן נורית אחת (1) מהבהבת מהר בצהוב.	אי אפשר היה להשלים את בירור מצב הסוללה. חזור על התהליך או פנה לשירות של Hilti.
כל הנוריות מאירות כאור רץ, ולאחר מכן נורית אחת (1) מאירה ברציפות באדום.	אם עדיין אפשר להמשיך להשתמש במוצר המחובר, קיבולת הסוללה הנתורת נמוכה מ-50%. אם אי אפשר עוד להמשיך להשתמש במוצר המחובר, אד הסוללה נמצאת בסוף חיי השירות שלה ויש להחליף אותה. אנא פנה למעבדת שירות של Hilti.

### 3.6 מפרט אספקה

פטישון SDS-Plus, ידיית אחיזה צדית עם מעצור עומק, הוראות הפעלה. מוצרים נוספים המאפשרים עבור המוצר שלך תמצא ב-Hilti Store או בכתובת: [www.hilti.group](http://www.hilti.group)



<b>TE 30-22</b>	
03	דור המוצר
21.6 וולט	מתח נקוב
3.6 ג'אול	אנרגיית הלימה בודדת
3.9 ק"ג	משקל לפי EPTA Procedure 01 ללא סוללה
4 מ"מ ... 28 מ"מ	טווח קידוח בבטון/קירות (קידוח בהלימה)
70 °C ... -20 °C	טמפרטורת אחסון
60 °C ... -17 °C	טמפרטורת סביבה בעבודה

**4.1 סוללה בטענת**

21.6 וולט	מתח עבודה עם סוללה בטענת
ראה בסוף הוראות ההפעלה האלה	משקל הסוללה
60 °C ... -17 °C	טמפרטורת סביבה בעבודה
40 °C ... -20 °C	טמפרטורת אחסון
45 °C ... -10 °C	טמפרטורת הסוללה בתחילת הטעינה

**4.2 מידע על רעשים וערכי רעידות**

ערכי לחץ הקול והרעידות המצוינים בהוראות אלה נמדדו בהתאם לנוהל המדידה התקני, וניתן להשתמש בהם לצורך השוואה בין כלי עבודה חשמליים. הם מתאימים גם להערכה זמנית של העומסים. הנתונים המצוינים תקפים לשימושים העיקריים בכלי העבודה החשמלי. אולם אם משתמשים בכלי העבודה החשמלי לשימושים אחרים, בשילוב אביזרים אחרים או אם המכשיר אינו עובר תחזוקה מספקת, הנתונים עשויים להשתנות. בעקבות זאת פריסת העומסים למשך זמן העבודה כולו עשויה להיות גבוהה באופן משמעותי. לצורך הערכה מדויקת של העומסים יש לקחת בחשבון גם את הזמנים שבהם כלי העבודה כבוי או שבהם הוא אמנם פועל אך אינו בשימוש בפועל. בעקבות זאת פריסת העומסים למשך זמן העבודה כולו עשויה להיות נמוכה באופן משמעותי. יש לקבוע הנחיות בטיחות נוספות להגנה על המשתמש מפני ההשפעות של קול ו/או רעידות, כגון: תחזוקה של כלי העבודה החשמלי ושל כלי העבודה המחבוריים, שמירה על ידיים חמות, ארגון תהליכי העבודה.

מידע מפורט על גרסאות תקני **EN 62841** הישימים תמצא בתמונת הצהרת התאימות 29.


**ערכי רעש**

102 dB	רמת הספק קול
3 dB	אי-ודאות הספק קול / רמת לחץ קול
94 dB	רמת לחץ קול ( $L_{pA}$ )
3 dB(A)	אי-ודאות ברמת לחץ קול ( $K_{pA}$ )

**ערכי רעידות כוללים**

8.5 מ' /שנ <sup>2</sup>	<b>B 22-85</b>	חציבה ( $a_{h, Cheq}$ )
7.6 מ' /שנ <sup>2</sup>	<b>B 22-255</b>	
11.1 מ' /שנ <sup>2</sup>	<b>B 22-85</b>	קידוח בהלימה בבטון ( $a_{h, HD}$ )
10.0 מ' /שנ <sup>2</sup>	<b>B 22-255</b>	
1.5 מ' /שנ <sup>2</sup>		אי ודאות

**5 הכנה לעבודה**
**אזהרה**

**סכנת פציעה עקב התחלת תנועה בשוגג!**

- ◀ לפני חיבור הסוללה ודא שהמוצר כבוי.
- ◀ הסר את הסוללה לפני שאתה מבצע כוונונים כלשהם במכשיר או מחליף אביזרים.

צייט להוראות הבטיחות והאזהרות שבתייעוד זה ולא להאמין המצוינות על המוצר.



### 5.1 טעינת סוללה

1. קרא את הוראות ההפעלה של המטען לפני הטעינה.
2. ודא שהמגעים של הסוללה ושל המטען נקיים ויבשים.
3. טען את הסוללה במטען מאושר. 18

### 5.2 חיבור הסוללה

#### אזהרה

#### סכנת פציעה עקב קצר או נפילת סוללה!

- ◀ לפני חיבור הסוללה ודא שהמגעים של הסוללה ושל המוצר נקיים מגופים זרים.
- ◀ ודא תמיד שהסוללה תפוסה היטב.

1. טען את הסוללה למצב מלא לגמרי לפני השימוש הראשון.
2. דחף את הסוללה למוצר עד שאתה שומע אותה ננעלת.
3. ודא שהסוללה יושבת היטב.

### 5.3 הסרת הסוללה

1. לחץ על לחצן השחרור של הסוללה.
2. משוך את הסוללה החוצה מהמוצר.

### 5.4 התקנת ידית האחיזה הצדית

#### זהירות

#### סכנת פציעה! אובדן השליטה במוצר.

- ◀ ודא כי ידית האחיזה הצדית מותקנת בצורה נכונה ומהודקת היטב. ודא שחבק ההידוק נמצא בחריץ המיועד לו במוצר.

1. סובב את הידית כדי לשחרר את המחזיק (חבק) של ידית האחיזה.
2. דחף את המחזיק (חבק) מלפנים על פני התפסכית עד לחריץ המיועד.
3. מקם את יחידת האחיזה הצדית במיקום המבוקש.
4. סובב את הידית כדי למתוח את המחזיק (חבק).

### 5.5 אבטחת נפילה

#### אזהרה

#### סכנת פציעה כשכלי העבודה ו/או האבטח נופלים!

- ◀ השתמש רק בחבל אבטחה של Hilti המומלץ עבור המוצר שלך.
- ◀ בדוק את נקודת החיבור של חבל האבטחה של כלי העבודה לפני כל שימוש כדי לזהות נזקים.

שם לב לחוקים בנוגע לעבודה בגובה.

- כדי למנוע נפילה יש להשתמש עבור מוצר זה רק בחבל האבטחה #2261971 של Hilti.
- ◀ חבר את חבל אבטחת כלי העבודה למוצר באמצעות הלולאה, כמוצג באיור. בדוק שהחיבור יציב.
  - ◀ חבר את השאקל למבנה יציב. בדוק שהשאקל מחובר בצורה בטוחה.

שים לב להוראות ההפעלה של חבל אבטחת כלי העבודה של Hilti.

### 5.6 כוונון מעצור העומק (אופציונלי)

1. לחץ על לחצן השחרור בידיית האחיזה הצדית.
2. כוונן את מעצור העומק לעומק הקידוח המבוקש.
3. הרפה מלחצן השחרור.
4. ודא שידיית האחיזה הצדית יושבת יציב.



## 5.7 פירוק התפסנית 6

### זהירות ⚠

**סכנת פציעה!** הפרעה למשתמש כאשר מעצור העומק מותקן אך אינו בשימוש.  
 נתק את מעצור העומק מהמוצר.

בעת החלפת תפסנית יש להעביר את בורר הפעולות לעמדה "חציבה" T.

1. אחוז מעל לתפסנית ומשוך את 3 טבעות הנעילה כלפי מעלה.
2. הסר את התפסנית במשיכה מעלה.

## 5.8 התקנת התפסנית 7

### זהירות ⚠

**סכנת פציעה!** הפרעה למשתמש כאשר מעצור העומק מותקן אך אינו בשימוש.  
 נתק את מעצור העומק מהמוצר.

בעת הכנסת/החלפת כלי העבר את בורר הפעולות לסמל הבא: T.

1. אחוז מעל לתפסנית ומשוך את 3 טבעות הנעילה כלפי מעלה.
2. חבר את התפסנית למחזיק.
3. סובב את התפסנית עד שהיא ננעלת.

## 5.9 חיבור כלי 8

1. שמן קלות את הקנה של הכלי.  
 השתמש רק בגריד מקורי של Hilti. גריד לא מתאים עלול לגרום נזקים למוצר.
2. הכנס את קנה הכלי לתפסנית עד הסוף ואפשר לו להינעל.
3. לאחר חיבור הכלי משוך אותו לניסיון כדי לוודא שהוא נעול היטב.  
 המוצר מוכן לעבודה.

## 5.10 הוצאת הכלי 9

### זהירות ⚠

**סכנת פציעה מהאביזר המחובר!** האביזר המחובר עשוי להיות חם מאוד או חד.  
 לבש כפפות מגן בעת החלפת אביזר.

משוך את נעילת הכלים אחורה עד הסוף והוצא את הכלי.

## 6 תפעול

ציית להוראות הבטיחות והאזהרות שבתיעוד זה ולאלה המצוינות על המוצר.

### 6.1 הדלקה / כיבוי

1. לחץ על מתג הבקרה כדי להדליק את המוצר.

על ידי עומק הלחיצה של מתג ההפעלה אפשר לשלוט במהירות הסיבוב על פי הצורך.

2. הרפה ממתג ההפעלה כדי לכבות את המוצר.

### 6.2 תנועה ימינה/שמאלה 10

העבר את מתג כיוון הסיבוב לעמדה המתאימה עבור כיוון הסיבוב המבוקש.



## 6.3 בורר הפעולות 11

- ◀ העבר את בורר הפעולות למצב העבודה המבוקש.
- ◀ אין לתפעל את בורר הפעולות במהלך העבודה. **סכנת נזק!**

### 6.3.1 קידוח ללא הלימה

- ◀ העבר את בורר הפעולות לסמל זה:

### 6.3.2 קידוח עם הלימה

- ◀ העבר את בורר הפעולות לסמל זה:

### 6.3.3 מיקום האזמל

- ◀ העבר את בורר הפעולות לסמל זה:
- ◀ ניתן למקם את האזמל ב-12 מצבים שונים (מרווחים של 30°). כך ניתן לעבוד באזמלים שטוחים ומעוצבים במצב העבודה הטוב ביותר.

### 6.3.4 חציבה

- ◀ העבר את בורר הפעולות לסמל זה:

## 6.4 הברגה

1. החלף את התפסנית.
2. העבר את מתג כיוון הסיבוב לעמדה המתאימה עבור כיוון הסיבוב המבוקש.

## 7 טיפול ותחזוקה

### ⚠ אזהרה

#### סכנת פציעה כאשר הסוללה מחוברת !

- ◀ לפני ביצוע עבודות טיפול ותחזוקה כלשהן יש להקפיד להסיר את הסוללה!

### טיפול במוצר

- הסר בזהירות לכלוך דבוק.
- אם ישנם, נקה את חריצי האוורור בזהירות בעזרת מברשת רכה ויבשה.
- נקה את גוף המכשיר רק באמצעות מטלית לחה מעט. אל תשתמש בחומרי טיפול המכילים סיליקון, מאחר שהם עלולים לפגוע בחלקי הפלסטיק.
- נקה את המגעים באמצעות מטלית נקייה ויבשה.

### טיפול בסוללות ליתיום-יון

- לעולם אין להשתמש בסוללה שחריצי האוורור שלה סתומים. נקה את חריצי האוורור בזהירות בעזרת מברשת רכה ויבשה.
- מנע חשיפת הסוללה לאבק ולכלוך שלא לצורך. בשום אופן אין לחשוף את הסוללה ללחות גבוהה (לדוגמה להטביל אותה במים או להניח אותה בגשם).
- אם הסוללה נרטבה מאוד, יש להתייחס אליה כאל סוללה פגומה. בודד אותה במיכל לא דליק ופנה לשירות של Hilti.
- שמור על הסוללה נקייה משמן וגריד לא שייכים. אל תאפשר הצטברות מיותרת של לכלוך ואבק על הסוללה. נקה את הסוללה במטלית יבשה ורכה או במטלית נקייה ויבשה. אל תשתמש בחומרי טיפול המכילים סיליקון, מאחר שהם עלולים לפגוע בחלקי הפלסטיק.
- אל תיגע במגעים של הסוללה ואל תסיר מהמגעים גריד שהושם במפעל.
- נקה את גוף המכשיר רק באמצעות מטלית לחה מעט. אל תשתמש בחומרי טיפול המכילים סיליקון, מאחר שהם עלולים לפגוע בחלקי הפלסטיק.

### תחזוקה

- בדוק באופן סדיר את כל החלקים הגלויים כדי לאתר נזקים ולוודא שכל הרכיבים פועלים באופן תקין.
- אל תפעל את המוצר אם ישנם נזקים ו/או תקלות. פנה מיד לשירות של Hilti כדי לתקן את המוצר.
- לאחר עבודות טיפול ותחזוקה יש להתקין בחזרה את כל ציוד ההגנה ולבדוק שהוא פועל בצורה תקינה.

לצורך הפעלה בטוחה של המכשיר יש להשתמש רק בחלקי חילוף וחומרים מתכלים מקוריים. את חלקי החילוף, החומרים המתכלים והאביזרים שאושרו על-ידי Hilti עבור המוצר שלך תמצא ב-Hilti Store שלך או בכתובת: [www.hilti.group](http://www.hilti.group)



הובלה

**⚠️ זהירות**

**התחלת פעולה בשוגג במהלך הובלה!**

יש להוביל את המכשיר כשהסוללה מנותקת ממנו!

- ◀ הוצא את הסוללה/ות.
- ◀ לעולם אין להוביל את הסוללה בצורה חופשית בין עצמים לא ארוזים. בזמן ההובלה הסוללות צריכות להיות מוגנות מפני חבטות ורעידות רבות וכן מבודדות מפני חומרים מוליכים כלשהם או סוללות אחרות, כדי שלא ייווצר מגע בינן לבין מגעים של סוללות אחרות ועקב כך קצר. **שים לב לכללי ההובלה במדינתך בנוגע לסוללות.**
- ◀ אסור לשלוח סוללות בדואר. אם אתה רוצה לשלוח סוללות לא פגומות, פנה לשם כך לחברת משלוחים והובלות.
- ◀ בדוק אם ישנם נדקים במוצר ובסוללות לפני כל שימוש וכן לפני הובלה ארוכה.

אחסון

**⚠️ אזהרה**

**בדק לא מכוון כשהסוללות פגומות או דולפות!**

יש לאחסן את המכשיר כשהסוללה מנותקת ממנו!

- ◀ אחסן את המוצר והסוללות במקום קריר ויבש. שים לב לערכי הגבול של הטמפרטורה, כמצוין בנתונים הטכניים.
- ◀ אין לאחסן סוללות על המטען. הפקד להוציא את הסוללה מהמטען בסיום תהליך הטעינה.
- ◀ לעולם אין לאחסן סוללות בשמש, על מקורות חום או מאחורי דוכנית.
- ◀ אחסן את המוצר והסוללה הרחק מהישג ידם של ילדים או אנשים לא מורשים.
- ◀ בדוק אם ישנם נדקים במוצר ובסוללות לפני כל שימוש וכן לפני אחסון ממושך.

9 תיקון תקלות

בכול תקלה שים לב לתצוגות של רמת הטענה ושל התקלות בסוללה. ראה הפרק **תצוגות של סוללת הליתיום-יון**. אם מרחחשת תקלה שאינה מוסברת בטבלה זה או שאינך יכול לתקן בעצמך, פנה לשירות של Hilti.

תקלה	סיבה אפשרית	פתרון
אין הלימה.	המוצר קר מדי.	◀ הצמד את המוצר לחומר והפעל אותו במצב סרק. חזור על הפעולה לפי הצורך עד שמערכת ההלימה מתחילה לעבוד.
הסוללה מתרוקנת מהר מהרגיל.	מצב הסוללה אינו מיטבי.	◀ בדוק את מצב הסוללה.  19
הנוריות של הסוללה אינן מציגות דבר.	הסוללה פגומה.	◀ פנה למעבדת שירות של Hilti.
הסוללה אינה נתפסת בצליל "קליק" ברור.	זיד הנעילה בסוללה מלוכלך.	◀ נקה את זיד הנעילה וחבר את הסוללה מחדש.
לא ניתן ללחוץ על מתג ההפעלה או שמתג ההפעלה חסום.	מתג כיוון הסיבוב בעמדה האמצעית.	◀ דחף את מתג כיוון הסיבוב שמאלה או ימינה.
ציר המכשיר אינו מסתובב.	הסוללה פגומה.	◀ פנה למעבדת שירות של Hilti.
כאשר המקדח נתקע המוצר נכבה.	התקן ההגנה האלקטרוני הופעל כדי למנוע היתקעויות נוספות.	◀ שחרר את המקדח.
התפתחות חום רבה במוצר או בסוללה.	תקלה חשמלית	◀ כבה את המוצר מיד. הסר את הסוללה והשגח עליה. אפשר לה להתקרר. צור קשר עם השירות של Hilti.
לא ניתן לשחרר את הכלי מהנעילה.	התפסנית לא נמשכה לאחור עד הסוף.	◀ משוך את נעילת הכלים אחורה עד הסוף והוצא את הכלי החוצה.
המקדח אינו מסיר חומר.	המכשיר מכוונן לתנועה שמאלה.	◀ העבר את מתג כיוון הסיבוב למצב סיבוב ימינה.
המקדח אינו מסתובב.	בורר הפעולות לא נתפס בעמדה או שהוא נמצא בעמדה "חציבה" T או בעמדה "מיקום האזמל" -.	◀ כשהמכשיר אינו מסתובב העבר את בורר הפעולות לעמדה "קידוח בהלימה" T.
המוצר אינו מתחיל לפעול.	חסימת ההפעלה האלקטרונית נכנסה לפעולה לאחר ניתוק החשמל.	◀ שחרר את מתג ההפעלה ולחץ עליו מחדש.



**אזהרה**

**סכנת פציעה בעקבות סילוק לא תקין!** סכנה בריאותית מהשתחררות גדים ונוזלים.

- ◀ אין לשלוח סוללות פגומות!
- ◀ כסה את החיבורים באמצעות חומר לא מוליך, כדי למנוע קצר.
- ◀ סלק סוללות כך שהן לא יוכלו להגיע לידיהם של ילדים.
- ◀ סלק את הסוללה ב- **Hilti Store** או פנה לחברת המיחזור האחראית.

המוצרים של **Hilti** מיוצרים בחלקם מגדול מחומרים ניתנים למיחזור. כדי שניתן יהיה למחזרם דרושה הפרדת חומרים מקצועית. במדינות רבות **Hilti** תקבל את המכשיר הישן שלך בחזרה לצורך מיחזור. פנה לשירות של **Hilti** או למשווק.

- ◀ אין להשליך כלי עבודה חשמליים, כלים אלקטרוניים וסוללות לפסולת הביתית!

**11 אחריות יצרן**

- ◀ אם יש לך שאלות בנושא תנאי האחריות, אנא פנה למשווק **Hilti** הקרוב אליך.

**12 מידע נוסף**

מידע נוסף על ההפעלה, הטכנולוגיה, הגנת הסביבה ומיחזור תמצא בקישור הבא:  
[qr.hilti.com/manual?id=2264906&id=2264908](http://qr.hilti.com/manual?id=2264906&id=2264908)  
 את הקישור הזה תמצא גם בסוף תיעוד זה בצורת קוד QR.









 **NURON**

<b>B 22-85 (01)</b>	0,77 kg	1.70 lb
<b>B 22-110 (01)</b>	0,92 kg	2.03 lb
<b>B 22-170 (01)</b>	1,34 kg	2.95 lb
<b>B 22-255 (01)</b>	1,87 kg	4.12 lb



<b>C 4-22</b>
<b>C 6-22</b>
<b>C 8-22</b>

**en Declaration of conformity****Declaration of conformity**

The manufacturer declares, on his sole responsibility, that the product described here complies with the applicable legislation and standards.

The technical documentation is filed here:

**Hilti** Entwicklungsgesellschaft mbH | Tool Certification | Hiltistrasse 6 | D-86916 Kaufering, Germany

**Product information**

Cordless rotary hammer drill SDS-Plus	TE 30-22
Generation	03
Serial no.	1-9999999999



**הצהרת תאימות**

היצרן מצהיר באחריותו הבלעדית כי המוצר המתואר כאן עונה על דרישות החוק התקפות והתקנים התקפים.

התיעוד הטכני שמור כאן:

Hilti Entwicklungsgesellschaft mbH | Zulassung Geräte | Hiltistraße 6 | 86916 Kaufering, Germany

**נתוני המוצר**

TE 30-22	פטישון נטען SDS-Plus
03	דור
9999999999-1	מס' סידורי

**Hilti Corporation**  
Feldkircherstraße 100  
9494 Schaan | Liechtenstein



**TE 30-22 (03)**

2006/42/EC  
2014/30/EU  
2011/65/EU

EN 62841-1:2015, AC:2015, A11:2022  
EN IEC 55014-1:2021

EN IEC 62841-2-6:2020/A11:2020  
EN IEC 55014-2:2021

Schaan, 29.03.2024

**Dr. Tahar Zrilli**  
Head of Quality and Process Management  
Business Area Electric Tools & Accessories

**Edward-Louis Przybylowicz**  
Head of BU Power Tool & Accessories  
Business Area Electric Tools & Accessories



**en UK Declaration of Conformity****Declaration of conformity**

The manufacturer declares, on his sole responsibility, that the product described here complies with the applicable legislation and standards.

The technical documentation is filed here:

**Hilti** Entwicklungsgesellschaft mbH | Tool Certification | Hiltistrasse 6 | D-86916 Kaufering, Germany

**Product information**

Cordless rotary hammer drill SDS-Plus	TE 30-22
Generation	03
Serial no.	1-9999999999

**Manufacturer:**

**Hilti Corporation**  
Feldkircherstraße 100  
9494 Schaan | Liechtenstein

**TE 30-22 (03)**

Supply of Machinery (Safety) Regulations  
2008

Electromagnetic Compatibility Regulations  
2016

The Restriction of the Use of Certain  
Hazardous Substances in Electrical and  
Electronic Equipment Regulations 2012

**UK Importer:**

**Hilti (Gt. Britain) Limited**  
No. 1 Circle Square, 3 Symphony Park  
Manchester, England, M1 7FS



EN 62841-1:2015, AC:2015, A11:2022

EN IEC 55014-1:2021

EN IEC 62841-2-6:2020/A11:2020

EN IEC 55014-2:2021

Schaan, 29.03.2024

**Dr. Tahar Zrilli**

Head of Quality and Process Management  
Business Area Electric Tools & Accessories

**Edward-Louis Przybyłowicz**

Head of BU Power Tool & Accessories  
Business Area Electric Tools & Accessories











Hilti Corporation  
LI-9494 Schaan  
Tel.:+423 234 21 11  
Fax:+423 234 29 65  
[www.hilti.group](http://www.hilti.group)



2264906