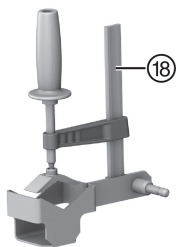
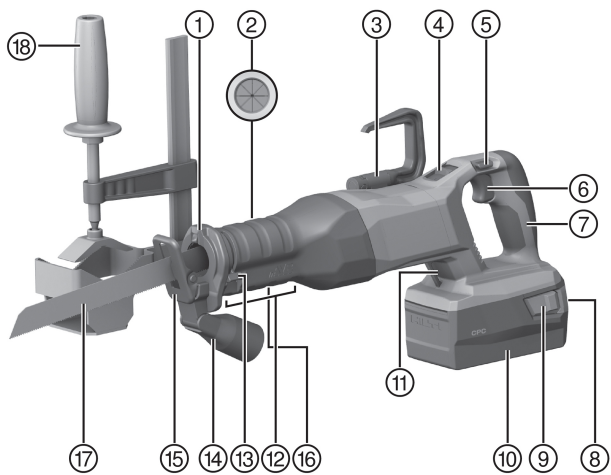


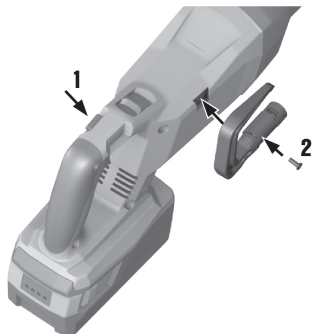


SR 30-A36

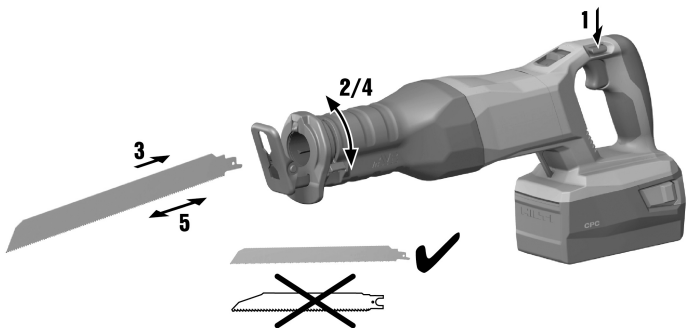
English	1
Français	11
Español	23
Português	34



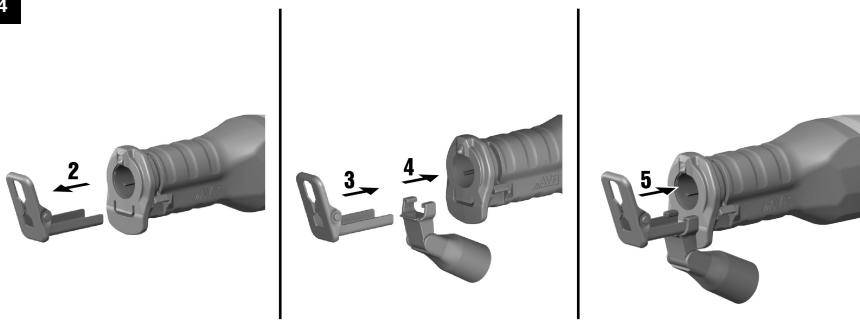
2



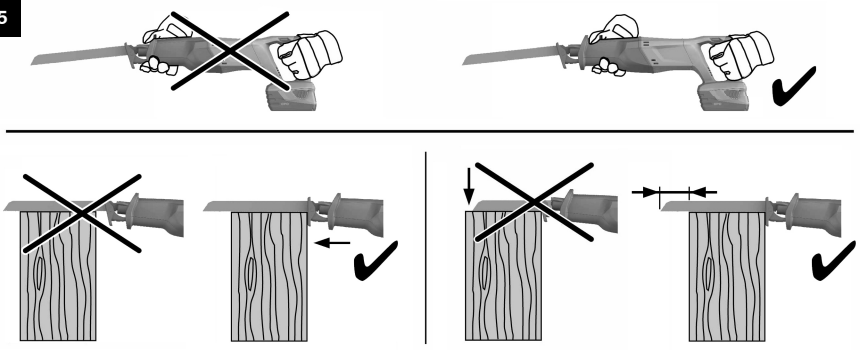
3



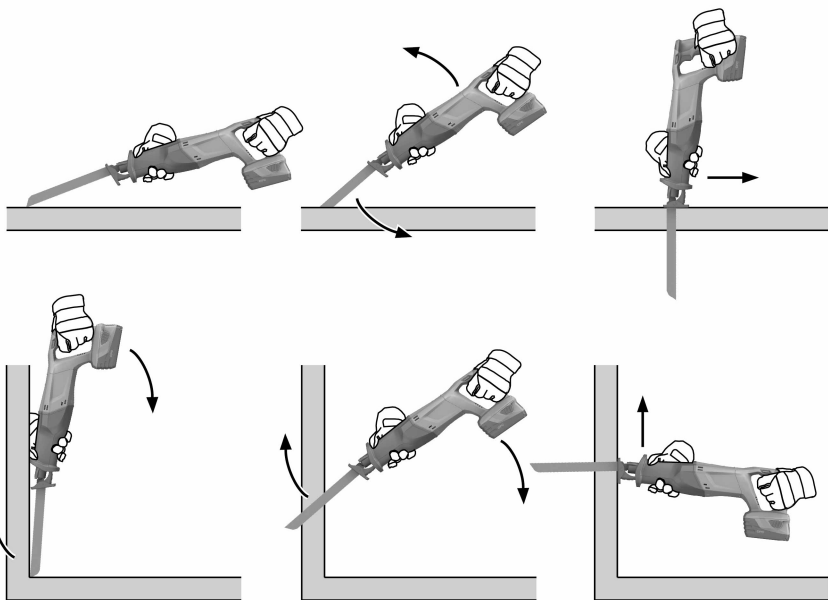
4



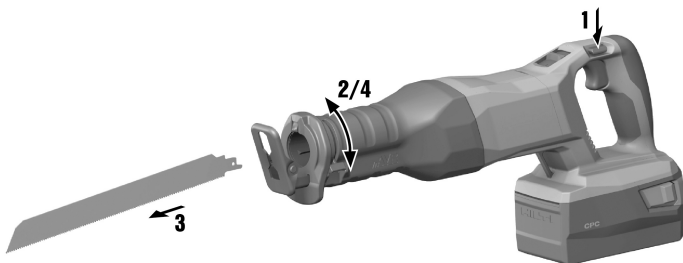
5



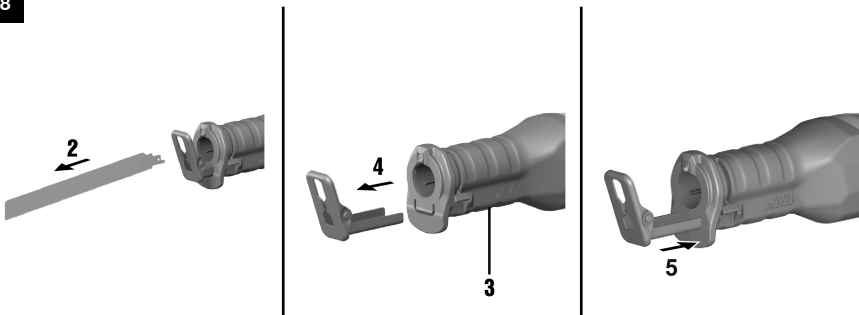
6



7



8



SR 30-A36

en	Original operating instructions	1
fr	Mode d'emploi original	11
es	Manual de instrucciones original	23
pt	Manual de instruções original	34

Original operating instructions

1 Information about the documentation

1.1 About this documentation

- Read this documentation before initial operation or use. This is a prerequisite for safe, trouble-free handling and use of the product.
- Observe the safety instructions and warnings in this documentation and on the product.
- Always keep the operating instructions with the product and make sure that the operating instructions are with the product when it is given to other persons.

1.2 Explanation of symbols used

1.2.1 Warnings

Warnings alert persons to hazards that occur when handling or using the product. The following signal words are used:

DANGER

DANGER !

- ▶ Draws attention to imminent danger that will lead to serious personal injury or fatality.

WARNING

WARNING !

- ▶ Draws attention to a potential threat of danger that can lead to serious injury or fatality.

CAUTION

CAUTION !

- ▶ Draws attention to a potentially dangerous situation that could lead to personal injury or damage to the equipment or other property.

1.2.2 Symbols in the documentation

The following symbols are used in this document:

	Read the operating instructions before use.
	Instructions for use and other useful information
	Dealing with recyclable materials
	Do not dispose of electric equipment and batteries as household waste

1.2.3 Symbols in the illustrations

The following symbols are used in illustrations:

	These numbers refer to the corresponding illustrations found at the beginning of these operating instructions
	The numbering reflects the sequence of operations shown in the illustrations and may deviate from the steps described in the text
	Item reference numbers are used in the overview illustrations and refer to the numbers used in the product overview section
	This symbol is intended to draw special attention to certain points when handling the product.



1.3 Product-dependent symbols

1.3.1 Symbols on the product

The following symbols can be used on the product:

	Direct current (DC)
n_0	Stroke rate under no load
	The product supports wireless data transmission compatible with iOS and Android platforms.
Li-Ion	Li-ion battery
	Hilti Li-ion battery type series used. Observe the information given in the section headed Intended use .
	Never use the battery as a striking tool.
	Do not drop the battery. Never use a battery that has suffered an impact or is damaged in any other way.

1.4 Product information

products are designed for professional users and only trained, authorized personnel are permitted to operate, service and maintain the products. This personnel must be specifically informed about the possible hazards. The product and its ancillary equipment can present hazards if used incorrectly by untrained personnel or if used not in accordance with the intended use.

The type designation and serial number are printed on the rating plate.

- ▶ Write down the serial number in the table below. You will be required to state the product details when contacting Hilti Service or your local Hilti organization to inquire about the product.

Product information

Reciprocating saw	SR 30-A36
Generation	01
Serial no.	

1.5 Declaration of conformity

We declare, on our sole responsibility, that the product described here complies with the applicable directives and standards. A copy of the declaration issued by the certification department can be found at the end of this documentation.

The technical documentation is filed here:

Hilti Entwicklungsgesellschaft mbH | Tool Certification | Hiltistrasse 6 | 86916 Kaufering, Germany

2 Safety

2.1 General power tool safety warnings

⚠ WARNING Read all safety warnings, instructions, illustrations and specifications provided with this power tool. Failure to follow all instructions listed below may result in electric shock, fire and/or serious injury. **Save all warnings and instructions for future reference.**

The term "power tool" in the warnings refers to your mains-operated (corded) power tool or battery-operated (cordless) power tool.

Work area safety

- ▶ **Keep work area clean and well lit.** Cluttered or dark areas invite accidents.
- ▶ **Do not operate power tools in explosive atmospheres, such as in the presence of flammable liquids, gases or dust.** Power tools create sparks which may ignite the dust or fumes.
- ▶ **Keep children and bystanders away while operating a power tool.** Distractions can cause you to lose control.



Electrical safety

- ▶ **Power tool plugs must match the outlet. Never modify the plug in any way. Do not use any adapter plugs with earthed (grounded) power tools.** Unmodified plugs and matching outlets will reduce risk of electric shock.
- ▶ **Avoid body contact with earthed or grounded surfaces, such as pipes, radiators, ranges and refrigerators.** There is an increased risk of electric shock if your body is earthed or grounded.
- ▶ **Do not expose power tools to rain or wet conditions.** Water entering a power tool will increase the risk of electric shock.
- ▶ **Do not abuse the cord. Never use the cord for carrying, pulling or unplugging the power tool. Keep cord away from heat, oil, sharp edges or moving parts.** Damaged or entangled cords increase the risk of electric shock.
- ▶ **When operating a power tool outdoors, use an extension cord suitable for outdoor use.** Use of a cord suitable for outdoor use reduces the risk of electric shock.
- ▶ **If operating a power tool in a damp location is unavoidable, use a residual current device (RCD) protected supply.** Use of an RCD reduces the risk of electric shock.

Personal safety

- ▶ **Stay alert, watch what you are doing and use common sense when operating a power tool. Do not use a power tool while you are tired or under the influence of drugs, alcohol or medication.** A moment of inattention while operating power tools may result in serious personal injury.
- ▶ **Use personal protective equipment. Always wear eye protection.** Protective equipment such as a dust mask, non-skid safety shoes, hard hat or hearing protection used for appropriate conditions will reduce personal injuries.
- ▶ **Prevent unintentional starting. Ensure the switch is in the off-position before connecting to power source and/or battery pack, picking up or carrying the tool.** Carrying power tools with your finger on the switch or energising power tools that have the switch on invites accidents.
- ▶ **Remove any adjusting key or wrench before turning the power tool on.** A wrench or a key left attached to a rotating part of the power tool may result in personal injury.
- ▶ **Do not overreach. Keep proper footing and balance at all times.** This enables better control of the power tool in unexpected situations.
- ▶ **Dress properly. Do not wear loose clothing or jewellery. Keep your hair and clothing away from moving parts.** Loose clothes, jewellery or long hair can be caught in moving parts.
- ▶ **If devices are provided for the connection of dust extraction and collection facilities, ensure these are connected and properly used.** Use of dust collection can reduce dust-related hazards.
- ▶ **Do not let familiarity gained from frequent use of tools allow you to become complacent and ignore tool safety principles.** A careless action can cause severe injury within a fraction of a second.

Power tool use and care

- ▶ **Do not force the power tool. Use the correct power tool for your application.** The correct power tool will do the job better and safer at the rate for which it was designed.
- ▶ **Do not use the power tool if the switch does not turn it on and off.** Any power tool that cannot be controlled with the switch is dangerous and must be repaired.
- ▶ **Disconnect the plug from the power source and/or remove the battery pack, if detachable, from the power tool before making any adjustments, changing accessories, or storing power tools.** Such preventive safety measures reduce the risk of starting the power tool accidentally.
- ▶ **Store idle power tools out of the reach of children and do not allow persons unfamiliar with the power tool or these instructions to operate the power tool.** Power tools are dangerous in the hands of untrained users.
- ▶ **Maintain power tools and accessories. Check for misalignment or binding of moving parts, breakage of parts and any other condition that may affect the power tool's operation. If damaged, have the power tool repaired before use.** Many accidents are caused by poorly maintained power tools.
- ▶ **Keep cutting tools sharp and clean.** Properly maintained cutting tools with sharp cutting edges are less likely to bind and are easier to control.
- ▶ **Use the power tool, accessories and tool bits etc. in accordance with these instructions, taking into account the working conditions and the work to be performed.** Use of the power tool for operations different from those intended could result in a hazardous situation.
- ▶ **Keep handles and grasping surfaces dry, clean and free from oil and grease.** Slippery handles and grasping surfaces do not allow for safe handling and control of the tool in unexpected situations.



Battery tool use and care

- ▶ **Recharge only with the charger specified by the manufacturer.** A charger that is suitable for one type of battery pack may create a risk of fire when used with another battery pack.
- ▶ **Use power tools only with specifically designated battery packs.** Use of any other battery packs may create a risk of injury and fire.
- ▶ **When battery pack is not in use, keep it away from other metal objects, like paper clips, coins, keys, nails, screws or other small metal objects, that can make a connection from one terminal to another.** Shorting the battery terminals together may cause burns or a fire.
- ▶ **Under abusive conditions, liquid may be ejected from the battery; avoid contact. If contact accidentally occurs, flush with water. If liquid contacts eyes, additionally seek medical help.** Liquid ejected from the battery may cause irritation or burns.
- ▶ **Do not use a battery pack or tool that is damaged or modified.** Damaged or modified batteries may exhibit unpredictable behaviour resulting in fire, explosion or risk of injury.
- ▶ **Do not expose a battery pack or tool to fire or excessive temperature.** Exposure to fire or temperature above 130° C (265 °F) may cause explosion.
- ▶ **Follow all charging instructions and do not charge the battery pack or tool outside the temperature range specified in the instructions.** Charging improperly or at temperatures outside the specified range may damage the battery and increase the risk of fire.

Service

- ▶ **Have your power tool serviced by a qualified repair person using only identical replacement parts.** This will ensure that the safety of the power tool is maintained.
- ▶ **Never service damaged battery packs.** Service of battery packs should only be performed by the manufacturer or authorized service providers.

2.2 Additional safety instructions for saws with reciprocating saw blade

- ▶ **Hold the power tool by the insulated gripping surfaces when performing work in which the accessory tool might come into contact with concealed wiring.** If the accessory tool comes into contact with a live wire, metal parts of the power tool can also become live, resulting in an electric shock.
- ▶ **Use clamps or some other suitable means to firmly secure the workpiece to a stable supporting surface.** Holding the workpiece only by hand or against your body leaves it unstable, which can lead to loss of control.

2.3 Additional safety instructions for saws**Personal safety**

- ▶ Keep your hands away from the cutting area and the blade. Keep your second hand on the auxiliary handle or the motor housing. When both hands are on the saw they cannot be injured by it.
- ▶ Use the product only when it is in perfect working order.
- ▶ Never tamper with or modify the power tool in any way.
- ▶ Wear protective gloves also when changing the accessory tool. Touching the accessory tool presents a risk of injury (cuts or burns).
- ▶ Before starting work, check the hazard class of the dust that will be produced when working. Use an industrial vacuum cleaner with an officially approved protection class in compliance with the locally applicable dust protection regulations. Dust from materials such as lead-based paint, certain types of wood and concrete/masonry/stone containing quartz, minerals or metal can be harmful to health.
- ▶ Make sure that the workplace is well ventilated and, if necessary, wear a respirator appropriate for the type of dust generated. Contact with or inhalation of the dust can cause allergic reactions and/or respiratory or other diseases among operators or bystanders. Only specialists are permitted to handle material containing asbestos.
- ▶ Do not reach underneath the workpiece.
- ▶ Never hold the workpiece with your hand or across your leg. Secure the workpiece in a sturdy holder.
- ▶ Always hold the power tool firmly with both hands on the handles provided for the purpose and position your arms to absorb kickback forces.
- ▶ Keep the grips clean and dry.
- ▶ Position yourself off to one side of the blade, never bring the blade into line with your body. The saw can jump backward toward you if kickback occurs.
- ▶ If the saw blade binds or when you interrupt work for any reason, switch off the saw and hold it motionless in the material until the saw blade comes to a complete stop. Never attempt to remove the saw from the workpiece or pull the saw back while the blade is in motion, as otherwise the saw could kick back.



- ▶ When restarting a saw in the workpiece, center the saw blade in the kerf and check that saw teeth are not in engagement with the workpiece.
- ▶ Use extra caution when sawing into walls or other blind areas. As it enters the material the blade might encounter a hidden obstruction, resulting in kickback.

Electrical safety

- ▶ Before beginning work, check the working area for concealed electric cables or gas and water pipes. External metal parts of the power tool can become live, presenting a risk of electric shock, if you accidentally damage an electric cable.
- ▶ Hold the power tool by the insulated gripping surfaces when performing work in which the accessory tool might come into contact with concealed wiring. If the accessory tool comes into contact with a live wire, metal parts of the power tool can also become live, resulting in an electric shock.

Power tool use and care

- ▶ Do not use dull or damaged blades. These cause increased friction and present a high risk of the saw blade binding or kicking back.
- ▶ Comply with the manufacturer's instructions for handling and storing saw blades.
- ▶ The product must be pressed against the workpiece until the contact shoe makes firm contact. This ensures optimum and safe progress as you work.
- ▶ Wear suitable protective clothing as protection against hot particles of material.

2.4 Additional safety instructions

- ▶ Use the product only when it is in perfect working order.
- ▶ Never tamper with or modify the power tool in any way.
- ▶ Do not use dull or damaged blades. These cause increased friction and present a high risk of the saw blade binding or kicking back.
- ▶ Before beginning work, check the working area for concealed electric cables or gas and water pipes. External metal parts of the power tool can become live, presenting a risk of electric shock, if you accidentally damage an electric cable.
- ▶ Secure the workpiece in a sturdy holder. Never hold the workpiece with your hand or across your leg.
- ▶ Switch the product on only after bringing it to the working position.
- ▶ When working with the power tool, always guide it away from your body.
- ▶ Apply only moderate pressure and cut at an appropriate speed, especially when cutting large-diameter pipes. This will help to prevent the power tool overheating.
- ▶ Before cutting through pipes, make sure that they are empty of medium. Drain the pipes if necessary.
- ▶ When cutting through pipes, hold the power tool above the level of the pipe you are cutting through.
 - ▶ The power tool is not protected against ingress of moisture. Liquid running out of a pipe can cause a short circuit in the power tool.
- ▶ Never cut into unknown materials and make sure the path of the saw is free of obstructions above and below the workpiece.
 - ▶ The power tool can kick back if the saw blade comes into contact with an obstructing object.
- ▶ Wear protective gloves also when changing the accessory tool. Touching the accessory tool presents a risk of injury (cuts or burns).
- ▶ Always remove the battery when the power tool is not in use, before maintenance, before changing accessory tools and before transport.
- ▶ Engage the transport lock before storing or transporting the power tool.
- ▶ Comply with the manufacturer's instructions for handling and storing saw blades.
- ▶ The user and any other persons in the vicinity must wear suitable eye protection, a hard hat, ear protection, protective gloves and breathing protection while the power tool is in use.
- ▶ Always use a saw blade of appropriate length. The saw blade must project past the workpiece throughout the entire stroke.
- ▶ Take breaks between working and do relaxation and finger exercises to improve the blood circulation in your fingers.
- ▶ Do not look directly into the light source (LEDs) of the power tool and do not aim the beam at other persons' faces. Risk of dazzling or eye damage.
- ▶ Flying fragments can injure the body and eyes. Wear your personal protective equipment and always wear protective glasses and protective gloves.
- ▶ If work involves break-through, always secure the area on the side opposite where the work is carried out.

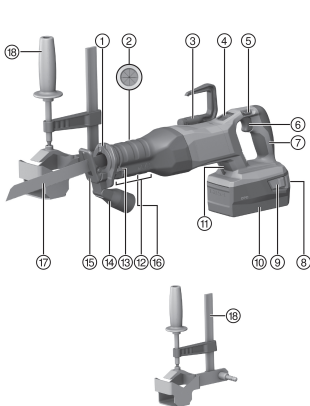


2.5 Careful handling and use of batteries

- ▶ Observe the special guidelines applicable to the transport, storage and use of lithium-ion batteries.
- ▶ Do not expose batteries to high temperatures, direct sunlight or fire.
- ▶ Do not disassemble, crush or incinerate batteries and do not subject them to temperatures over 80 °C (176 °F).
- ▶ Do not use or charge batteries that have suffered mechanical impact, have been dropped from a height or show signs of damage. In this case, always contact your **Hilti Service**.
- ▶ If the battery is too hot to touch it may be defective. Put the battery in a place where it is clearly visible and where there is no risk of fire, at an adequate distance from flammable materials. Allow the battery to cool down. If it is still too hot to touch after an hour, the battery is faulty. Contact **Hilti Service**.

3 Description

3.1 Product overview



- ① Blade holder
- ② Mount for cutting assist
- ③ Folding scaffold hook
- ④ Speed preselection
- ⑤ Safety lock
- ⑥ Control switch
- ⑦ Rear grip
- ⑧ Battery state of charge indicator
- ⑨ Battery release button
- ⑩ Battery
- ⑪ Attachment eye for lanyard
- ⑫ Front gripping area
- ⑬ Saw blade release lever
- ⑭ Dust removal adapter (USA: accessory)
- ⑮ Contact shoe
- ⑯ Release button for contact shoe
- ⑰ Saw blade
- ⑱ Cutting assist (accessory)

3.2 Intended use

The product described is a cordless reciprocating saw. It is designed for cutting wood, wood-like materials, metals and plastics.

The product is designed for two-handed operation.

- ▶ Use only **Hilti** Li-ion batteries from the B 36 series with this product.
- ▶ Use only **Hilti** battery chargers from the C4/36 series for these batteries.

3.3 Possible misuse

- ▶ Do not use the power tool to cut bricks, concrete, cellular concrete, natural stone or tiles.
- ▶ Do not use the product to cut pipes containing liquids.
- ▶ Do not saw into unknown materials.

3.4 Lithium-ion battery status display

The Li-ion battery state of charge and malfunctions of the power tool are indicated by the display on the Li-ion battery. The Li-ion battery state of charge is displayed after pressing one of the two battery release buttons.

Status	Meaning
4 LEDs light.	State of charge: 75 % to 100 %
3 LEDs light.	State of charge: 50 % to 75 %
2 LEDs light.	State of charge: 25 % to 50 %



Status	Meaning
1 LED lights.	State of charge: 10 % to 25 %
1 LED blinks.	State of charge: < 10 %
1 LED blinks, the power tool is not ready for use.	The battery has overheated or is completely discharged.
4 LEDs blink, the power tool is not ready for use.	The power tool is overloaded or has overheated.



Battery state of charge cannot be displayed while the control switch is pressed and for up to 5 seconds after releasing the control switch.

If the battery display LEDs blink, please observe the instructions given in the Troubleshooting section.

3.5 Items supplied

Reciprocating saw, operating instructions.

Other system products approved for use with this product can be found at your local **Hilti Store** or at: www.hilti.group

4 Technical data

	SR 30-A36
Rated voltage	36 V
Weight	4.4 kg (9.7 lb)
Stroke rate (Stage 1)	2,000 /min
Stroke rate (Stage 2)	2,800 /min
Stroke length	32 mm (1.3 in)
Blade holder	0.5 in
Ambient temperature for operation	-17 °C ... 60 °C (1 °F ... 140 °F)
Storage temperature	-20 °C ... 70 °C (-4 °F ... 158 °F)

4.1 Battery

Battery operating voltage	36 V
Ambient temperature for operation	-17 °C ... 60 °C (1 °F ... 140 °F)
Storage temperature	-20 °C ... 40 °C (-4 °F ... 104 °F)
Battery charging starting temperature	-10 °C ... 45 °C (14 °F ... 113 °F)

5 Preparations at the workplace



WARNING

Risk of injury by inadvertent starting!

- ▶ Before inserting the battery, make sure that the product is switched off.
- ▶ Remove the battery before making any adjustments to the power tool or before changing accessories.

Observe the safety instructions and warnings in this documentation and on the product.



5.1 Charging the battery

1. Before charging the battery, read the operating instructions for the charger.
2. Make sure that the contacts on the battery and the contacts on the charger are clean and dry.
3. Use an approved charger to charge the battery. → page 6

5.2 Inserting the battery

WARNING

Risk of injury by short circuit or falling battery!

- ▶ Before inserting the battery, make sure that the contacts on the battery and the contacts on the product are free of foreign matter.
 - ▶ Make sure that the battery always engages correctly.
-
1. Charge the battery fully before using it for the first time.
 2. Push the battery into the product until it engages with an audible click.
 3. Check that the battery is seated securely.


5.3 Removing the battery

1. Press the battery release buttons.
2. Remove the battery from the tool.

5.4 Installing the scaffold hook (accessory)

1. Engage the transport lock.
2. Install the scaffold hook.

5.5 Inserting the saw blade

 Use only saw blades with a 1/2" connection end.

1. Activate the transport lock or separate the battery from the power tool.
2. Check that the connection end of the accessory tool is clean and lightly greased. Clean it and grease it if necessary.
3. Push the locking lever up as far as it will go and hold it in this position.
4. Push the saw blade into the chuck from in front.
5. Allow the locking lever to return to its original position.
6. Grip and pull the saw blade to check that it is locked in position.

5.6 Installing the dust removal adapter (USA: accessory)

1. Pull the contact shoe out.
2. Set the dust removal adapter on the contact shoe mount.
3. Insert the lightly greased contact shoe fully into the guide.

6 Operation

Observe the safety instructions and warnings in this documentation and on the product.

6.1 Guiding the saw

1. Hold the saw by the grips provided for the purpose.
2. Guide the saw to the workpiece.
3. Guide the saw forward and back.
 - ▶ If you press the saw against the workpiece there is a risk of the saw blade breaking and causing injuries.



6.2 Sawing

WARNING

Risk of injury by defective scaffold hook! A falling tool could injure you or others.

- ▶ Before starting work, check that the scaffold hook is secure and undamaged.
-
1. Disengage the transport lock and press the control switch.
 - ▶ The graphics section illustrates various ways of guiding the saw effectively.
 2. Release the control switch when you finish the cut.
 3. Engage the transport lock.

6.3 Removing the saw blade

CAUTION

Risk of injury! The accessory tool may be hot and/or have sharp edges.

- ▶ Wear protective gloves when changing the accessory tool.
 - ▶ Never lay down a hot accessory tool on a flammable surface.
-
1. Engage the transport lock or remove the battery from the power tool.
 2. Push the locking lever up as far as it will go and hold it in this position.
 3. Pull the blade forward out of the blade holder.
 4. Allow the locking lever to return to its original position.

7 Care and maintenance

WARNING

Risk of injury with battery inserted !

- ▶ Always remove the battery before carrying out care and maintenance tasks!
-

Care and maintenance of the tool

- Carefully remove stubborn dirt from the tool.
- Clean the air vents carefully with a dry brush.
- Use only a slightly damp cloth to clean the casing. Do not use cleaning agents containing silicone as these can attack the plastic parts.
- Clean and lubricate the chuck from the outside at regular intervals. Use the **Hilti** spray 314648 for this purpose.

Care of the Li-ion batteries

- Keep the battery free from oil and grease.
- Use only a slightly damp cloth to clean the casing. Do not use cleaning agents containing silicone as these can attack the plastic parts.
- Avoid ingress of moisture.

Maintenance

- Check all visible parts and controls for signs of damage at regular intervals and make sure that they all function correctly.
- Do not operate the product if signs of damage are found or if parts malfunction. Have it repaired immediately by **Hilti** Service.
- After cleaning and maintenance, fit all guards or protective devices and check that they function correctly.



To help ensure safe and reliable operation, use only genuine Hilti spare parts and consumables. Spare parts, consumables and accessories approved by Hilti for use with the product can be found at your local **Hilti Store** or online at: www.hilti.group.

7.1 Replacement of the contact shoe



The contact shoe can be replaced when necessary.



1. Remove the battery.
2. Remove the saw blade. → page 9
3. Press the red release button for the contact shoe on the underside of the reciprocating saw.
4. Pull the contact shoe out.
5. Press the red release button for the contact shoe on the underside of the reciprocating saw.
6. Insert the lightly greased contact shoe fully into the guide.
7. Check that the contact shoe has engaged.

8 Transport and storage of cordless tools and batteries

Transport

CAUTION

Accidental starting during transport !

- ▶ Always transport your products with the batteries removed!
- ▶ Remove the battery/batteries.
- ▶ Never transport batteries loose and unprotected. During transport, batteries should be protected from excessive shock and vibration and isolated from any conductive materials or other batteries that may come in contact with the terminals and cause a short circuit. **Comply with the locally applicable regulations for transporting batteries.**
- ▶ Do not send batteries through the mail. Consult your shipper for instructions on how to ship undamaged batteries.
- ▶ Prior to each use and before and after prolonged transport, check the product and the batteries for damage.

Storage

WARNING

Accidental damage caused by defective or leaking batteries !

- ▶ Always store your products with the batteries removed!
- ▶ Store the product and the batteries in a cool and dry place. Comply with the temperature limits stated in the technical data.
- ▶ Do not store batteries on the charger. Always remove the battery from the charger when the charging operation has completed.
- ▶ Never leave batteries in direct sunlight, on sources of heat, or behind glass.
- ▶ Store the product and batteries where they cannot be accessed by children or unauthorized persons.
- ▶ Prior to each use and before and after prolonged storage, check the product and the batteries for damage.

9 Troubleshooting

If the trouble you are experiencing is not listed in this table or you are unable to remedy the problem by yourself, please contact **Hilti Service**.

9.1 The reciprocating saw is not in working order

Trouble or fault	Possible cause	Action to be taken
The tool doesn't start.	The battery is not correctly inserted.	▶ Push the battery in until it engages with a click.
	The battery is empty.	▶ Charge the battery.
	The transport lock is engaged.	▶ Disengage the transport lock.
The saw blade cannot be removed from the chuck.	The locking lever was not pushed as far as it will go.	▶ Push the locking lever as far as it will go and remove the saw blade.
	Chuck clogged by residues from sawing operations.	▶ Remove the residues from sawing operations and regularly clean the chuck from the outside. Care of the power tool. → page 9



9.2 The reciprocating saw is in working order

Trouble or fault	Possible cause	Action to be taken
The tool does not develop full power.	The control switch is not fully pressed	▶ Press the control switch fully.
	Battery is discharged	▶ Change the battery and charge the empty battery.
The saw blade cannot be removed from the chuck.	The locking lever was not pushed as far as it will go.	▶ Push the locking lever as far as it will go and remove the saw blade.

10 Disposal



WARNING

Risk of injury due to incorrect disposal! Health hazards due to escaping gases or liquids.

- ▶ DO NOT send batteries through the mail!
- ▶ Cover the terminals with a non-conductive material (such as electrical tape) to prevent short circuiting.
- ▶ Dispose of your battery out of the reach of children.
- ▶ Dispose of the battery at your **Hilti Store**, or consult your local governmental garbage disposal or public health and safety resources for disposal instructions.



Most of the materials from which **Hilti** products are manufactured can be recycled. The materials must be correctly separated before they can be recycled. In many countries, your old tools, machines or appliances can be returned to **Hilti** for recycling. Ask **Hilti Service** or your Hilti sales representative for further information.



- ▶ Do not dispose of power tools, electronic equipment or batteries as household waste!

11 Manufacturer's warranty

- ▶ Please contact your local **Hilti** representative if you have questions about the warranty conditions.

Mode d'emploi original

1 Indications relatives à la documentation

1.1 À propos de cette documentation

- Lire intégralement la présente documentation avant la mise en service. C'est la condition préalablement requise pour assurer la sécurité du travail et un maniement sans perturbations.
- Bien respecter les consignes de sécurité et les avertissements de la présente documentation ainsi que celles figurant sur le produit.
- Toujours conserver le mode d'emploi à proximité du produit et uniquement le transmettre à des tiers avec ce mode d'emploi.

1.2 Explication des symboles

1.2.1 Avertissements

Les avertissements attirent l'attention sur des dangers liés à l'utilisation du produit. Les termes de signalisation suivants sont utilisés :



DANGER

DANGER !

- ▶ Pour un danger imminent qui peut entraîner de graves blessures corporelles ou la mort.



AVERTISSEMENT

AVERTISSEMENT !

- Pour un danger potentiel qui peut entraîner de graves blessures corporelles ou la mort.

ATTENTION

ATTENTION !

- Pour une situation potentiellement dangereuse pouvant entraîner des blessures corporelles ou des dégâts matériels.

1.2.2 Symboles dans la documentation

Les symboles suivants sont utilisés dans la présente documentation :

	Lire le mode d'emploi avant d'utiliser l'appareil
	Pour des conseils d'utilisation et autres informations utiles
	Maniement des matériaux recyclables
	Ne pas jeter les appareils électriques et les accus dans les ordures ménagères

1.2.3 Symboles dans les illustrations

Les symboles suivants sont utilisés dans les illustrations :

	Ces chiffres renvoient à l'illustration correspondante au début du présent mode d'emploi
	La numérotation détermine la séquence des étapes de travail dans l'image et peut se différencier de celles des étapes de travail dans le texte
	Les numéros de position sont utilisés dans l'illustration Vue d'ensemble et renvoient aux numéros des légendes dans la section Vue d'ensemble du produit
	Ce signe doit inviter à manier le produit en faisant particulièrement attention.

1.3 Symboles spécifiques au produit

1.3.1 Symboles sur le produit

Les symboles suivants peuvent être utilisés sur le produit :

	Courant continu
n_0	Cadence de coupe nominale
	Le produit prend en charge la transmission de données sans fil qui est compatible avec les plates-formes iOS et Android.
Li-Ion	Accu lithium-ions
	Série de type d'accu Li-Ion Hilti utilisée. Observer les instructions au chapitre Utilisation conforme à l'usage prévu .
	Ne jamais utiliser l'accu comme outil de percussion.
	Ne pas laisser tomber l'accu. Ne pas utiliser d'accu ayant subi un choc ou d'autres dommages.

1.4 Informations produit

Les produits sont destinés aux professionnels et ne doivent être utilisés, entretenus et réparés que par un personnel autorisé et formé. Ce personnel doit être spécialement instruit quant aux dangers



inhérents à l'utilisation de l'appareil. Le produit et ses accessoires peuvent s'avérer dangereux s'ils sont utilisés de manière incorrecte par un personnel non qualifié ou de manière non conforme à l'usage prévu.

La désignation du modèle et le numéro de série figurent sur sa plaque signalétique.

- ▶ Inscrivez le numéro de série dans le tableau suivant. Les informations produit vous seront demandées lorsque vous contactez nos revendeurs ou services après-vente.

Caractéristiques produit

Scie sabre	SR 30-A36
Génération	01
N° de série	

1.5 Déclaration de conformité

Nous déclarons sous notre seule et unique responsabilité que le produit décrit ici est conforme aux directives et normes en vigueur. Une copie de l'attestation délivrée par l'organisme de certification se trouve en fin de la présente documentation.

Pour obtenir les documentations techniques, s'adresser à :

Hilti Entwicklungsgesellschaft mbH | Zulassung Geräte | Hiltistraße 6 | 86916 Kaufering, DE

2 Sécurité

2.1 Indications générales de sécurité pour les appareils électriques

⚠ AVERTISSEMENT Lire toutes les consignes de sécurité et instructions, illustrations et caractéristiques techniques, qui accompagnent cet outil électroportatif. Tout manquement à l'observation des instructions suivantes risque de provoquer une électrocution, un incendie et/ou de graves blessures.

Les consignes de sécurité et instructions doivent être intégralement conservées pour les utilisations futures.

La notion d'« outil électroportatif » mentionnée dans les consignes de sécurité se rapporte à des outils électriques raccordés au secteur (avec câble d'alimentation) et à des outils électriques sur accu (sans câble d'alimentation).

Sécurité sur le lieu de travail

- ▶ **Conserver la zone de travail propre et bien éclairée.** Un lieu de travail en désordre ou mal éclairé augmente le risque d'accidents.
- ▶ **Ne pas faire fonctionner les outils électriques en atmosphère explosive et où se trouvent des liquides, des gaz ou poussières inflammables.** Les outils électriques produisent des étincelles qui peuvent enflammer les poussières ou les fumées.
- ▶ **Maintenir les enfants et les personnes présentes à l'écart pendant l'utilisation de l'outil électroportatif.** En cas d'inattention il y a risque de perdre le contrôle de l'appareil.

Sécurité relative au système électrique

- ▶ **La fiche de secteur de l'outil électroportatif doit être adaptée à la prise de courant. Ne jamais modifier la fiche de quelque façon que ce soit. Ne pas utiliser d'adaptateurs avec des outils électriques à branchement de terre.** Des fiches non modifiées et des prises de courant adaptées réduiront le risque de choc électrique.
- ▶ **Éviter le contact physique avec des surfaces mises à la terre tels que tuyaux, radiateurs, cuisinières et réfrigérateurs.** Il y a un risque élevé de choc électrique au cas où votre corps serait relié à la terre.
- ▶ **Ne pas exposer les outils électroportatifs à la pluie ou à l'humidité.** La pénétration d'eau à l'intérieur d'un outil électroportatif augmentera le risque d'un choc électrique.
- ▶ **Ne jamais utiliser le câble de raccordement à d'autres fins que celles prévues, telles que pour porter, accrocher ou débrancher l'outil électroportatif de la prise de courant. Maintenir le câble de raccordement à l'écart de la chaleur, des bords tranchants ou des parties en mouvement.** Des câbles de raccordement endommagés ou emmêlés augmentent le risque de choc électrique.
- ▶ **Si l'outil électroportatif est utilisé à l'extérieur, utiliser uniquement des câbles de rallonge homologués pour les applications extérieures.** L'utilisation d'un câble de rallonge homologué pour les applications extérieures réduit le risque d'un choc électrique.
- ▶ **Si l'utilisation de l'outil électrique dans un environnement humide ne peut pas être évitée, utiliser un interrupteur de protection contre les courants de court-circuit.** L'utilisation d'un tel interrupteur de protection réduit le risque d'une décharge électrique.



Sécurité des personnes

- ▶ **Rester vigilant, surveiller ce que l'on fait. Faire preuve de bon sens en utilisant l'outil électroportatif. Ne pas utiliser l'outil électroportatif en étant fatigué ou sous l'emprise de l'alcool, de drogues ou de médicaments.** Un moment d'inattention lors de l'utilisation de l'outil électroportatif peut entraîner des blessures graves.
- ▶ **Utiliser un équipement de protection personnel et toujours porter une protection pour les yeux.** Les équipements de protection personnels tels que masque antipoussière, chaussures de sécurité antidérapantes, casque de protection ou protection acoustique suivant l'utilisation de l'outil électroportatif, réduiront le risque de blessures des personnes.
- ▶ **Éviter une mise en service par mégarde. S'assurer que l'outil électroportatif est arrêté avant de le brancher à la source de courant et/ou à l'accu, de le prendre ou de le porter.** Le fait de porter l'outil électroportatif avec le doigt sur l'interrupteur ou de brancher l'appareil sur la source de courant lorsque l'interrupteur est en position de fonctionnement peut entraîner des accidents.
- ▶ **Retirer tout outil de réglage ou toute clé avant de mettre l'outil électroportatif en fonctionnement.** Une clé ou un outil se trouvant sur une partie en rotation peut causer des blessures.
- ▶ **Adopter une bonne posture. Veiller à toujours garder une position stable et équilibrée.** Cela permet un meilleur contrôle de l'outil électroportatif dans des situations inattendues.
- ▶ **S'habiller de manière adaptée. Ne pas porter de vêtements amples ni de bijoux. Garder les cheveux, les vêtements et les gants à distance des parties en mouvement.** Des vêtements amples, des bijoux ou des cheveux longs peuvent être happés par des parties en mouvement.
- ▶ **Si des dispositifs servant à aspirer ou à recueillir les poussières doivent être utilisés, s'assurer qu'ils sont effectivement raccordés et correctement utilisés.** L'utilisation d'un dispositif d'aspiration de la poussière peut réduire les risques dus aux poussières.
- ▶ **Ne pas sous-estimer les mesures de sécurité à prendre et ne pas ignorer sciemment les règles de sécurité applicables aux outils électriques, même si l'on est utilisateur chevronné après de fréquentes utilisations de l'outil électroportatif.** Un manque d'attention peut conduire à de graves blessures en quelques fractions de seconde.

Utilisation et maniement de l'outil électroportatif

- ▶ **Ne pas forcer l'appareil. Utiliser l'outil électroportatif adapté au travail à effectuer.** Un outil électroportatif approprié réalisera mieux le travail et de manière plus sûre au régime pour lequel il a été conçu.
- ▶ **Ne pas utiliser d'outil électroportatif dont l'interrupteur est défectueux.** Tout outil électroportatif qui ne peut plus être mis en ou hors fonctionnement est dangereux et doit être réparé.
- ▶ **Débrancher la fiche de la prise de courant et/ou l'accu amovible avant d'effectuer des réglages sur l'appareil, de changer les accessoires, ou de ranger l'appareil.** Cette mesure de précaution empêche une mise en fonctionnement par mégarde de l'outil électroportatif.
- ▶ **Conserver les outils électroportatifs non utilisés hors de portée des enfants. Ne permettre l'utilisation de l'appareil à aucune personne qui ne soit pas familiarisée avec celui-ci ou qui n'a pas lu ces instructions.** Les outils électroportatifs sont dangereux lorsqu'ils sont entre les mains de personnes non initiées.
- ▶ **Prendre soin des outils électroportatifs et des accessoires. Vérifier que les parties en mouvement fonctionnent correctement et qu'elles ne sont pas coincées, et contrôler si des parties sont cassées ou endommagées de sorte que le bon fonctionnement de l'outil électroportatif s'en trouve entravé. Faire réparer les parties endommagées avant d'utiliser l'appareil.** De nombreux accidents sont dus à des outils électroportatifs mal entretenus.
- ▶ **Garder les outils de coupe affûtés et propres.** Des outils destinés à couper correctement entretenus avec des arêtes de coupe tranchantes sont moins susceptibles de bloquer et sont plus faciles à contrôler.
- ▶ **L'outil électroportatif, les accessoires, les outils amovibles, etc. doivent être utilisés conformément à ces instructions. Tenir également compte des conditions de travail et du travail à réaliser.** L'utilisation des outils électroportatifs à d'autres fins que celles prévues peut entraîner des situations dangereuses.
- ▶ **Veiller à ce que les poignées et surfaces de préhension soient toujours être sèches, propres et exemptes de traces de graisse ou d'huile.** Avec des poignées et surfaces de préhension glissantes, la sécurité et le contrôle de l'outil électroportatif ne peuvent être assurés dans des situations inopinées.

Utilisation et maniement de l'outil sur accu

- ▶ **Ne charger les accus que dans des chargeurs recommandés par le fabricant.** Si un chargeur approprié à un type spécifique d'accus est utilisé avec des accus non recommandés pour celui-ci, il y a risque d'incendie.
- ▶ **Dans les outils électroportatifs, utiliser uniquement les accus spécialement prévus pour ceux-ci.** L'utilisation de tout autre accu peut entraîner des blessures et des risques d'incendie.



- ▶ **Tenir l'accu non utilisé à l'écart de tous objets métalliques tels qu'agrafes, pièces de monnaie, clés, clous, vis ou autres, étant donné qu'un pontage peut provoquer un court-circuit.** Un court-circuit entre les contacts d'accu peut provoquer des brûlures ou un incendie.
- ▶ **En cas d'utilisation abusive, du liquide peut sortir de l'accu. Éviter tout contact avec ce liquide. En cas de contact par mégarde, rincer soigneusement avec de l'eau. Au cas où le liquide rentrerait dans les yeux, consulter en plus un médecin.** Le liquide qui sort de l'accu peut entraîner des irritations de la peau ou causer des brûlures.
- ▶ **Ne pas utiliser d'accu endommagé ou modifié.** Des accus endommagés ou modifiés peuvent avoir un comportement imprévisible et provoquer un incendie, une explosion ou engendrer un risque de blessures.
- ▶ **Ne jamais exposer l'accu au feu ou à des températures trop élevées.** Le feu ou des températures supérieures à 130 °C (265 °F) peuvent provoquer une explosion.
- ▶ **Suivre toutes les instructions de charge et ne jamais charger l'accu ou l'outil sur accu hors de la plage de températures spécifiée dans le manuel d'utilisation.** Une charge inappropriée ou hors de la plage de températures spécifiée risque d'endommager l'accu et accroître le risque d'incendie.

Service

- ▶ **L'outil électroportatif doit uniquement être réparé par un personnel qualifié et seulement avec des pièces de rechange d'origine.** Ceci permet d'assurer la sécurité de l'appareil.
- ▶ **Ne jamais entretenir d'accus endommagés.** Toutes les opérations d'entretien sur des accus doivent exclusivement être réalisées par le fabricant ou un prestataire de service client agréé.

2.2 Consignes de sécurité supplémentaires pour le sciage avec une lame de scie effectuant un mouvement de va-et-vient

- ▶ **Tenir l'appareil par les surfaces isolées des poignées lors des travaux pendant lesquels l'outil utilisé risque de toucher des câbles électriques cachés.** Le contact avec un câble sous tension risque de mettre les parties métalliques de l'appareil sous tension et de provoquer une décharge électrique.
- ▶ **Fixer et sécuriser l'outil à l'aide d'un serre-joint ou de tout autre manière sur un support stable.** Si l'outil est tenu seulement avec la main ou contre le corps, il reste instable ce qui peut entraîner la perte de contrôle.

2.3 Consignes de sécurité supplémentaires spécifiques aux scies

Sécurité des personnes

- ▶ Bien garder les mains à distance de la zone de sciage et de la lame de scie. Tenir de l'autre main la poignée supplémentaire ou le carter du moteur. Si la scie est tenue des deux mains, celles-ci ne risquent pas d'être blessées lors du sciage.
- ▶ Utiliser le produit uniquement s'il est en parfait état.
- ▶ Ne jamais entreprendre de manipulation ni de modification sur l'appareil.
- ▶ Porter aussi des gants de protection pour changer d'outil. Risque de blessures par coupure et de brûlures au contact avec l'outil amovible.
- ▶ Avant le début du travail, prendre connaissance de la classe de risque de la poussière générée lors des travaux. Utiliser un aspirateur avec une classification de sécurité autorisée officiellement et conforme aux dispositions locales concernant les poussières. Les poussières de matériaux telles que des peintures contenant du plomb, certains types de bois, du béton / de la maçonnerie / des pierres naturelles qui contiennent du quartz ainsi que des minéraux et des métaux peuvent être nuisibles à la santé.
- ▶ Veiller à ce que le poste de travail soit bien ventilé et porter, le cas échéant, un masque de protection respiratoire adapté au type de poussières. Le contact ou l'aspiration de poussière peut provoquer des réactions allergiques et/ou des maladies respiratoires de l'utilisateur ou de toute personne se trouvant à proximité. Les matériaux contenant de l'amiante doivent seulement être manipulés par un personnel spécialisé.
- ▶ Ne pas passer les mains sous la pièce travaillée.
- ▶ Ne jamais tenir la pièce à scier avec la main ou sur la jambe. Fixer la pièce sur un support stable.
- ▶ Bien tenir l'appareil des deux mains aux poignées prévues à cet effet et mettre les bras dans une position permettant d'amortir la force de contrecoup.
- ▶ Tenir les poignées toujours sèches et propres.
- ▶ Toujours se tenir latéralement à la lame de scie, le corps de l'utilisateur ne doit jamais être dans l'alignement de la lame de scie. En cas de contrecoup, la scie risque d'être propulsée vers l'arrière !
- ▶ Si la lame de scie se coince ou que le travail est interrompu, arrêter la scie et la tenir dans le matériau sans bouger jusqu'à ce que la lame de scie s'immobilise. Ne jamais essayer de sortir la scie de la pièce



travaillée ou de la tirer vers l'arrière tant que la lame de scie bouge, sans quoi un contrecoup risque de se produire.

- ▶ Si une scie qui s'est bloquée dans une pièce doit être remise en marche, centrer la lame de scie dans la fente et contrôler que les dents de la scie ne soient pas restées accrochées dans la pièce.
- ▶ Travailler avec d'autant plus de prudence pour découper des parois existantes ou d'autres zones sans visibilité. La lame plongeante risque de se coincer dans des objets cachés et de provoquer un contrecoup.

Sécurité relative au système électrique

- ▶ Avant d'entamer le travail, vérifier qu'il n'y a pas de câbles ou gaines électriques, tuyaux de gaz ou d'eau cachés dans la zone d'intervention. Toutes pièces métalliques extérieures de l'appareil sont susceptibles de provoquer une décharge électrique si un câble électrique est endommagé par inadvertance.
- ▶ Tenir l'appareil par les surfaces isolées des poignées lors des travaux pendant lesquels l'outil utilisé risque de toucher des câbles électriques cachés. Le contact avec un câble sous tension risque de mettre les parties métalliques de l'appareil sous tension et de provoquer une décharge électrique.

Utilisation et emploi soigneux de l'outil électroportatif

- ▶ Ne pas utiliser de lames de scie émoussées ou endommagées. Celles-ci entraîneraient une friction élevée, un coincement de la lame de scie et un contrecoup.
- ▶ Respecter les instructions du fabricant relatives au maniement et au stockage des lames de scie.
- ▶ Le produit doit être serré contre la pièce travaillée à l'aide du patin d'appui. Ceci permet de garantir un travail fiable et optimal.
- ▶ Se protéger des copeaux brûlants en portant des vêtements de protection appropriés.

2.4 Consignes de sécurité supplémentaires

- ▶ Utiliser le produit uniquement s'il est en parfait état.
- ▶ Ne jamais entreprendre de manipulation ni de modification sur l'appareil.
- ▶ Ne pas utiliser de lames de scie émoussées ou endommagées. Celles-ci entraîneraient une friction élevée, un coincement de la lame de scie et un contrecoup.
- ▶ Avant d'entamer le travail, vérifier qu'il n'y a pas de câbles ou gaines électriques, tuyaux de gaz ou d'eau cachés dans la zone d'intervention. Toutes pièces métalliques extérieures de l'appareil sont susceptibles de provoquer une décharge électrique si un câble électrique est endommagé par inadvertance.
- ▶ Fixer la pièce sur un support stable. Ne jamais tenir la pièce à scier avec la main ou sur la jambe.
- ▶ Seulement mettre le produit en marche lorsqu'il est dans la position de travail.
- ▶ Lors de la coupe, toujours effectuer des mouvements s'éloignant de soi.
- ▶ Travailler avec une pression d'appui modérée et une vitesse de coupe appropriée, notamment dans le cas de tuyaux de grand diamètre. Ceci permet d'éviter une surchauffe de l'appareil.
- ▶ En cas de séparation de conduites, d'abord s'assurer que celles-ci ne contiennent plus aucun liquide. Les vider si nécessaire.
- ▶ En cas de séparation de conduites, tenir l'appareil plus haut que la conduite à séparer.
 - ▶ L'appareil ne dispose d'aucune protection contre la pénétration d'humidité. Le liquide s'écoulant peut provoquer un court-circuit dans l'appareil.
- ▶ Ne pas scier dans des sous-sols de nature inconnue et libérer la surface de coupe de tout obstacle en haut et en bas.
 - ▶ Si elle percute un objet, la lame de scie peut provoquer un mouvement de recul sur l'appareil.
- ▶ Porter aussi des gants de protection pour changer d'outil. Risque de blessures par coupure et de brûlures au contact avec l'outil amovible.
- ▶ Toujours retirer l'accu si l'appareil n'est pas utilisé, avant de procéder à l'entretien, de remplacer des outils ou pendant le transport.
- ▶ Pour le stockage ou le transport de l'appareil, activer la sécurité de transport.
- ▶ Respecter les instructions du fabricant relatives au maniement et au stockage des lames de scie.
- ▶ L'utilisateur et les personnes se trouvant à proximité pendant l'utilisation de l'appareil doivent porter des lunettes de protection adaptées, un casque de protection, un casque antibruit, des gants de protection et un masque respiratoire léger.
- ▶ Toujours utiliser une lame de scie de longueur appropriée. La lame de scie doit dépasser de la pièce à découper pendant toute l'opération de sciage.
- ▶ Faire régulièrement des pauses et des exercices de relaxation et de massage des doigts pour favoriser l'irrigation sanguine dans les doigts.
- ▶ Ne jamais regarder directement dans la lumière (LED) et ne jamais orienter la lumière directement dans le visage d'une personne. Il y a risque d'éblouissement.



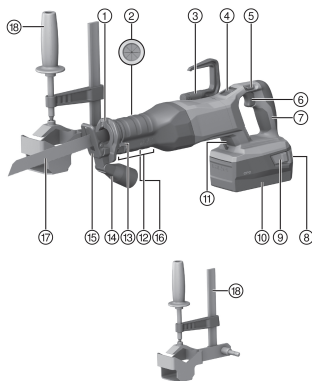
- ▶ Les éclats de matière peuvent entraîner des blessures corporelles et aux yeux. Utiliser un équipement de protection individuel et toujours porter des lunettes et des gants de protection.
- ▶ Lors de travaux d'ajourage, protéger l'espace du côté opposé aux travaux.

2.5 Utilisation et emploi soigneux des accus

- ▶ Respecter les directives spécifiques relatives au transport, au stockage et à l'utilisation des accus Li-Ion.
- ▶ Ne pas exposer les accus à des températures élevées, ni au rayonnement direct du soleil ni au feu.
- ▶ Les accus ne doivent pas être démontés, écrasés, chauffés à une température supérieure à 80 °C (176 °F) ou jetés au feu.
- ▶ Ne jamais utiliser ni charger d'accus qui ont subi un choc électrique, qui sont tombés de plus d'un mètre ou qui ont été endommagés d'une manière quelconque. Si tel est le cas, il convient de contacter le **S.A.V. Hilti**.
- ▶ Si l'accu est trop chaud pour être touché, il est probablement défectueux. Placer l'accu dans un endroit bien visible, non inflammable et suffisamment éloigné de matériaux inflammables. Laisser l'accu refroidir. Si, après une heure, l'accu est toujours trop chaud pour être saisi, c'est qu'il est défectueux. Contacter le **S.A.V. Hilti**.

3 Description

3.1 Vue d'ensemble du produit



- ① Mandrin
- ② Logement pour adaptateur de coupe
- ③ Crochet rabattable pour échafaudages
- ④ Présélection de la vitesse de rotation
- ⑤ Sécurité de transport
- ⑥ Variateur électronique de vitesse
- ⑦ Poignée arrière
- ⑧ Indicateur de l'état de charge de l'accu
- ⑨ Bouton de déverrouillage de l'accu
- ⑩ Accu
- ⑪ Anneau de fixation
- ⑫ Partie avant préhensible
- ⑬ Levier de déverrouillage de la lame de scie
- ⑭ Raccord d'aspiration (États-Unis : accessoire)
- ⑮ Patin d'appui
- ⑯ Bouton de déverrouillage du patin d'appui
- ⑰ Lame de scie
- ⑱ Adaptateur de coupe (accessoire)

3.2 Utilisation conforme à l'usage prévu

Le produit décrit est une scie sabre sans fil. Elle est destinée aux travaux de sciage dans le bois ou des matières analogues au bois, des matériaux métalliques ainsi que dans des plastiques.

Le produit doit être tenu avec les deux mains.

- ▶ Pour ce produit, utiliser exclusivement les accus Li-Ion **Hilti** de la série B 36.
- ▶ Pour ces accus, utiliser exclusivement les chargeurs **Hilti** de la série C4/36.

3.3 Mauvaise utilisation possible

- ▶ Ne pas scier de la brique, du béton, du béton cellulaire, de la pierre naturelle ou du carrelage.
- ▶ Ne pas utiliser le produit pour scier des conduites contenant encore du liquide.
- ▶ Ne pas scier dans des sous-sols de nature inconnue.



3.4 Affichage de l'état des accus Li-Ion

L'état de charge de l'accu Li-Ion ainsi que les dysfonctionnements de l'appareil sont signalés par le biais de l'affichage de l'accu Li-Ion. L'état de charge de l'accu Li-Ion peut être visualisé en appuyant légèrement sur l'un des deux boutons de déverrouillage.

État	Signification
4 LED allumées.	État de charge : 75 % à 100 %
3 LED allumées.	État de charge : 50 % à 75 %
2 LED allumées.	État de charge : 25 % à 50 %
1 LED allumée.	État de charge : 10 % à 25 %
1 LED clignote.	État de charge : < 10 %
1 LED clignote, l'appareil n'est pas fonctionnel.	L'accu surchauffe ou est complètement déchargé.
4 LED clignent, l'appareil n'est pas fonctionnel.	Charge excessive ou surchauffe de l'appareil.

i Il n'est pas possible d'interroger l'indicateur de l'état de charge lorsque le variateur électronique de vitesse est actionné et jusqu'à 5 secondes après avoir relâché le variateur électronique de vitesse. Si les LED de l'affichage de l'accu clignent, se reporter au chapitre Aide au dépannage.

3.5 Éléments livrés

Scie sabre, mode d'emploi.

D'autres produits système pour votre produit peuvent être trouvés dans votre **Hilti Store** ou à l'adresse : www.hilti.group

4 Caractéristiques techniques

	SR 30-A36
Tension de référence	36 V
Poids	4,4 kg (9,7 lb)
Cadence de coupe (Niveau 1)	2.000 tr/min
Cadence de coupe (Niveau 2)	2.800 tr/min
Course	32 mm (1,3 in)
Mandrin	0,5 in
Température de service en cours de service	-17 °C ... 60 °C (1 °F ... 140 °F)
Température de stockage	-20 °C ... 70 °C (-4 °F ... 158 °F)

4.1 Batterie

Tension nominale de l'accu	36 V
Température de service en cours de service	-17 °C ... 60 °C (1 °F ... 140 °F)
Température de stockage	-20 °C ... 40 °C (-4 °F ... 104 °F)
Température de l'accu au début de la charge	-10 °C ... 45 °C (14 °F ... 113 °F)



5 Préparatifs

AVERTISSEMENT

Risque de blessures du fait d'une mise en marche inopinée !

- ▶ Avant d'insérer l'accu, s'assurer que le produit correspondant est bien sur arrêt.
- ▶ Retirer le bloc-accu, avant d'effectuer des réglages sur l'appareil ou de changer les accessoires.

Bien respecter les consignes de sécurité et les avertissements de la présente documentation ainsi que celles figurant sur le produit.

5.1 Recharge de l'accu

1. Avant de commencer la charge, lire le mode d'emploi du chargeur.
2. Veiller à ce que les contacts de l'accu et du chargeur sont propres et secs.
3. Charger l'accu à l'aide d'un chargeur homologué. → Page 17

5.2 Introduction de l'accu

AVERTISSEMENT

Risque de blessures du fait d'un court-circuit ou de la chute de l'accu !

- ▶ Avant d'insérer l'accu dans l'appareil, s'assurer que les contacts de l'accu et les contacts sur le produit sont exempts de corps étrangers.
- ▶ S'assurer que l'accu s'encliquette toujours correctement.

1. L'accu doit être entièrement chargé avant la première mise en service.
2. Introduire l'accu dans le produit jusqu'à ce qu'il s'enclenche de manière audible.
3. Vérifier que l'accu est bien en place.

5.3 Retrait de l'accu

1. Appuyer sur les boutons de déverrouillage de l'accu.
2. Retirer l'accu hors de l'appareil.

5.4 Montage du crochet pour échafaudages (accessoire)

1. Activer la sécurité de transport.
2. Monter le crochet pour échafaudages.

5.5 Mise en place de la lame de scie



Utiliser uniquement des lames de scie avec un emmanchement 1/2".

1. Activer la sécurité de transport ou sortir l'accu de l'appareil.
2. Vérifier si l'emmanchement de l'outil est bien propre et légèrement graissé. Le nettoyer et le graisser si nécessaire.
3. Pousser le levier de verrouillage jusqu'en butée vers le haut et le maintenir dans cette position.
4. Pousser la lame par l'avant dans le porte-lame.
5. Laisser le levier de verrouillage glisser en arrière.
6. Vérifier que la lame est bien enclenchée en tirant dessus.

5.6 Montage du raccord d'aspiration (États-Unis : accessoire)

1. Extraire le patin d'appui.
2. Monter le raccord d'aspiration sur le support du patin d'appui.
3. Guider le patin d'appui légèrement graissé complètement dans le guide.



6 Utilisation

Bien respecter les consignes de sécurité et les avertissements de la présente documentation ainsi que celles figurant sur le produit.

6.1 Guider la scie 5

1. Tenir la scie par les poignées prévues à cet effet.
2. Guider la scie jusqu'à la pièce à travailler.
3. Guider la scie d'avant en arrière.
 - ▶ Si la scie appuie sur la pièce à travailler, la lame de scie risque de se casser et d'entraîner des blessures.

6.2 Sciage 6



AVERTISSEMENT

Risque de blessures engendrées par des crochets pour échafaudages défectueux ! Une chute de l'appareil pourrait vous mettre en danger ou mettre en danger d'autres personnes.

- ▶ Avant de commencer à travailler, vérifier que le crochet pour échafaudages est correctement fixé et qu'il n'est pas endommagé.

1. Désactiver la sécurité de transport et appuyer sur le variateur électronique de vitesse.
 - ▶ Vous trouverez dans la section imagée différentes possibilités de guider efficacement la scie.
2. Une fois l'opération de sciage terminée, relâcher le variateur électronique de vitesse.
3. Activer la sécurité de transport.

6.3 Retrait de la lame de scie 7



ATTENTION

Risque de blessures ! L'outil amovible peut être brûlant et / ou présenter des arêtes vives.

- ▶ Porter des gants de protection pour changer d'outil amovible.
 - ▶ Ne jamais déposer un outil amovible chaud sur un support inflammable.
1. Activer la sécurité de transport ou sortir l'accu de l'appareil.
 2. Pousser le levier de verrouillage jusqu'en butée vers le haut et le maintenir dans cette position.
 3. Tirer la lame du porte-lame vers l'avant hors du porte-lame.
 4. Laisser le levier de verrouillage glisser en arrière.

7 Nettoyage et entretien



AVERTISSEMENT

Risque de blessures lorsque l'accu est inséré !

- ▶ Toujours retirer l'accu avant tous travaux de nettoyage et d'entretien !

Entretien de l'appareil

- Éliminer prudemment les saletés récalcitrantes.
- Nettoyer les ouïes d'aération avec précaution au moyen d'une brosse sèche.
- Nettoyer le boîtier uniquement avec un chiffon légèrement humidifié. Ne pas utiliser de nettoyeurs à base de silicone, ceci pourrait attaquer les pièces en plastique.
- Nettoyer et lubrifier régulièrement le porte-outil de l'extérieur. Pour ce faire, veuillez utiliser le spray Hilti 314648.

Entretien des accus Li-ion

- Veiller à ce que l'accu soit toujours propre et exempt de traces de graisse et d'huile.
- Nettoyer le boîtier uniquement avec un chiffon légèrement humidifié. Ne pas utiliser de nettoyeurs à base de silicone, ceci pourrait attaquer les pièces en plastique.
- Éviter toute pénétration d'humidité.

Entretien

- Vérifier régulièrement qu'aucune pièce visible n'est endommagée et que les organes de commande sont parfaitement opérationnels.



- En cas d'endommagements et/ou de dysfonctionnements, ne pas utiliser le produit. Le faire immédiatement réparer par le S.A.V. **Hilti**.
- Après des travaux de nettoyage et d'entretien, vérifier si tous les équipements de protection sont bien en place et fonctionnent parfaitement.



Pour une utilisation en toute sécurité, utiliser uniquement des pièces de rechange et consommables d'origine. Vous trouverez les pièces de rechange, consommables et accessoires autorisés convenant pour votre produit dans le centre **Hilti Store** ou sous : **www.hilti.group**.

7.1 Remplacement du patin d'appui



Le patin d'appui peut être remplacé au besoin.

1. Retirer l'accu.
2. Retirer la lame de scie. → Page 20
3. Appuyer sur le bouton de déverrouillage rouge du patin d'appui sur la face inférieure de la scie sabre.
4. Extraire le patin d'appui.
5. Appuyer sur le bouton de déverrouillage rouge du patin d'appui sur la face inférieure de la scie sabre.
6. Insérer le patin d'appui légèrement graissé complètement dans le guide.
7. Vérifier que le patin d'appui est encliqueté.

8 Transport et stockage des outils sur accu et des accus

Transport



ATTENTION

Mise en marche inopinée lors du transport !

- ▶ Toujours retirer les accus avant de transporter les produits !
- ▶ Retirer le ou les accus.
- ▶ Ne jamais transporter les accus en vrac. Pendant le transport, les accus doivent être protégés des vibrations et chocs excessifs, isolés de tout matériau conducteur ou autre accu, pour éviter qu'ils n'entrent en contact avec d'autres pôles de batterie et qu'ils provoquent un court-circuit. **Tenir compte des prescriptions locales pour le transport d'accus.**
- ▶ Ne pas envoyer les accus par la poste. S'adresser à un service d'expédition s'il faut envoyer des accus non endommagés.
- ▶ Contrôler l'état du produit et des accus avant chaque utilisation, ainsi qu'avant et après tout transport prolongé.

Stockage



AVERTISSEMENT

Endommagement involontaire du fait d'accus défectueux ou de chute d'accu !

- ▶ Toujours retirer les accus avant de stocker les produits !
- ▶ Stocker si possible le produit et les accus dans un endroit sec et frais. Respecter les valeurs limites de température indiquées dans les caractéristiques techniques.
- ▶ Ne pas stocker les accus sur le chargeur. Retirer toujours l'accu du chargeur après la charge.
- ▶ Ne jamais stocker les accus exposés au soleil, sur des sources de chaleur ou derrière des vitres.
- ▶ Stocker le produit et les accus à l'abri des enfants et des personnes non autorisées.
- ▶ Contrôler l'état du produit et des accus avant chaque utilisation, ainsi qu'avant et après tout stockage prolongé.

9 Aide au dépannage

En cas de défaillances non énumérées dans ce tableau ou auxquelles il n'est pas possible de remédier sans aide, contacter le S.A.V. **Hilti**.



9.1 La scie sabre n'est pas en état de marche

Défaillance	Causes possibles	Solution
L'appareil ne se met pas en marche.	L'accu n'est pas complètement encliqueté.	▶ Encliqueter l'accu d'un clic.
	Accu vide.	▶ Charger l'accu.
	La sécurité de transport n'est pas activée.	▶ Activer la sécurité de transport.
Impossible de retirer la lame de scie du porte-lame.	Le levier de verrouillage n'est pas poussé jusqu'en butée.	▶ Pousser le levier de verrouillage jusqu'en butée et retirer la lame de scie.
	Porte-outil colmaté par des résidus de sciage.	▶ Éliminer les résidus de sciage et nettoyer régulièrement le porte-outil de l'extérieur. Entretien de l'appareil. → Page 20

9.2 La scie sabre est en état de marche

Défaillance	Causes possibles	Solution
L'appareil n'atteint pas la pleine puissance.	Le variateur électronique de vitesse n'est pas complètement enfoncé.	▶ Enfoncer complètement le variateur électronique de vitesse.
	Décharger le bloc-accu	▶ Remplacer l'accu et charger l'accu vide.
Impossible de retirer la lame de scie du porte-lame.	Le levier de verrouillage n'est pas poussé jusqu'en butée.	▶ Pousser le levier de verrouillage jusqu'en butée et retirer la lame de scie.

10 Recyclage



AVERTISSEMENT

Risque de blessures en cas d'élimination incorrecte ! Émanations possibles de gaz et de liquides nocives pour la santé.

- ▶ Ne pas envoyer ni expédier d'accus endommagés !
- ▶ Recouvrir les raccordements avec un matériau non conducteur pour éviter tout court-circuit.
- ▶ Éliminer les accus en veillant à ce qu'ils soient hors de la portée des enfants.
- ▶ Éliminer l'accu en le déposant auprès du **Hilti Store** local ou s'adresser à l'entreprise de collecte des déchets compétente.

Les produits **Hilti** sont fabriqués pour une grande partie en matériaux recyclables. Le recyclage présuppose un tri adéquat des matériaux. **Hilti** reprend les appareils usagés dans de nombreux pays en vue de leur recyclage. Consulter le service clients **Hilti** ou un conseiller commercial.



- ▶ Ne pas jeter les appareils électriques, électroniques et accus dans les ordures ménagères !

11 Garantie constructeur

- ▶ En cas de questions sur les conditions de garantie, veuillez vous adresser à votre partenaire **Hilti** local.



Manual de instrucciones original

1 Información sobre la documentación

1.1 Acerca de esta documentación

- Lea detenidamente esta documentación antes de la puesta en servicio. Ello es imprescindible para un trabajo seguro y un manejo sin problemas.
- Respete las indicaciones de seguridad y las advertencias presentes en esta documentación y en el producto.
- Conserve este manual de instrucciones siempre junto con el producto y entregue el producto a otras personas siempre acompañado del manual.

1.2 Explicación de símbolos

1.2.1 Avisos

Las advertencias de seguridad advierten de peligros derivados del manejo del producto. Se utilizan las siguientes palabras de peligro:

 **PELIGRO**

PELIGRO !

- ▶ Término utilizado para un peligro inminente que puede ocasionar lesiones graves o incluso la muerte.

 **ADVERTENCIA**

ADVERTENCIA !

- ▶ Término utilizado para un posible peligro que puede ocasionar lesiones graves o incluso la muerte.





 **PRECAUCIÓN**

PRECAUCIÓN !

- ▶ Término utilizado para una posible situación peligrosa que puede ocasionar lesiones o daños materiales.


1.2.2 Símbolos en la documentación

En esta documentación se utilizan los siguientes símbolos:

	Leer el manual de instrucciones antes del uso
	Indicaciones de uso y demás información de interés
	Manejo con materiales reutilizables
	No tirar las herramientas eléctricas y las baterías junto con los desperdicios domésticos

1.2.3 Símbolos en las figuras

En las figuras se utilizan los siguientes símbolos:

2	Estos números hacen referencia a la figura correspondiente incluida al principio de este manual
3	La numeración describe el orden de los pasos de trabajo en la imagen y puede ser diferente de los pasos descritos en el texto
11	Los números de posición se utilizan en la figura Vista general y los números de la leyenda están explicados en el apartado Vista general del producto
	Preste especial atención a este símbolo cuando utilice el producto.

1.3 Símbolos de productos

1.3.1 Símbolos en el producto

En el producto se pueden utilizar los siguientes símbolos:



2186518

	Corriente continua
n_0	Número de carreras en marcha en vacío
	El producto permite la transferencia de datos inalámbrica, compatible con plataformas iOS y Android.
Li-Ion	Batería de Ion-Litio
	Serie utilizada de baterías de Ion-Litio Hilti . Consulte las indicaciones recogidas en el capítulo Uso conforme a las prescripciones .
	Nunca utilice la batería como herramienta de percusión.
	No deje que la batería se caiga. No utilice baterías que hayan recibido algún golpe ni que estén dañadas de alguna otra forma.

1.4 Información del producto

Los productos han sido diseñados para usuarios profesionales y solo personal autorizado y debidamente formado puede utilizarlos y llevar a cabo su mantenimiento y conservación. Este personal debe estar especialmente instruido en lo referente a los riesgos de uso. La utilización del producto y sus dispositivos auxiliares puede conllevar riesgos para el usuario en caso de manejarse de forma inadecuada por personal no cualificado o utilizarse para usos diferentes a los que están destinados.

La denominación del modelo y el número de serie están indicados en la placa de identificación.

- ▶ Escriba el número de serie en la siguiente tabla. Necesitará los datos del producto para realizar consultas a nuestros representantes o al Departamento de Servicio Técnico.

Datos del producto

Sierra sable	SR 30-A36
Generación	01
N.º de serie	

1.5 Declaración de conformidad

Bajo nuestra exclusiva responsabilidad, declaramos que el producto aquí descrito cumple con las directivas y normas vigentes. Encontrará una reproducción del organismo certificador al final de esta documentación. La documentación técnica se encuentra depositada aquí:

Hilti Entwicklungsgesellschaft mbH | Zulassung Geräte | Hiltistraße 6 | 86916 Kaufering, DE

2 Seguridad

2.1 Indicaciones generales de seguridad para herramientas eléctricas

⚠ ADVERTENCIA Lea con atención todas las indicaciones de seguridad, instrucciones, ilustraciones y datos técnicos correspondientes a esta herramienta eléctrica. La negligencia en el cumplimiento de las instrucciones que se describen a continuación podría provocar descargas eléctricas, incendios o lesiones graves.

Conserve todas las instrucciones e indicaciones de seguridad para futuras consultas.

El término «herramienta eléctrica» empleado en las indicaciones de seguridad se refiere a herramientas eléctricas portátiles, ya sea con cable de red o sin cable, en caso de ser accionadas por batería.

Seguridad en el puesto de trabajo

- ▶ **Mantenga su área de trabajo limpia y bien iluminada.** El desorden o una iluminación deficiente de las zonas de trabajo pueden provocar accidentes.
- ▶ **No utilice la herramienta eléctrica en un entorno con peligro de explosión en el que se encuentren líquidos, gases o polvos inflamables.** Las herramientas eléctricas producen chispas que pueden llegar a inflamar los materiales en polvo o vapores.
- ▶ **Mantenga alejados a los niños y otras personas de su puesto de trabajo al emplear la herramienta eléctrica.** Una distracción le puede hacer perder el control sobre la herramienta.



Seguridad eléctrica

- ▶ **El enchufe de la herramienta eléctrica debe corresponder a la toma de corriente utilizada. No se deberá modificar el enchufe en forma alguna. No utilice enchufes adaptadores para las herramientas eléctricas con puesta a tierra.** Los enchufes sin modificar adecuados a las respectivas tomas de corriente reducen el riesgo de descarga eléctrica.
- ▶ **Evite el contacto corporal con superficies que tengan puesta a tierra, como pueden ser tubos, calefacciones, cocinas y frigoríficos.** El riesgo a quedar expuesto a una sacudida eléctrica es mayor si su cuerpo tiene contacto con tierra.
- ▶ **No exponga las herramientas eléctricas a la lluvia y evite que penetren líquidos en su interior.** El riesgo de recibir descargas eléctricas aumenta si penetra agua en la herramienta eléctrica.
- ▶ **No utilice el cable de conexión para transportar o colgar la herramienta eléctrica ni tire de él para extraer el enchufe de la toma de corriente. Mantenga el cable de conexión alejado de fuentes de calor, aceite, aristas afiladas o piezas móviles.** Los cables de conexión dañados o enredados pueden provocar descargas eléctricas.
- ▶ **Cuando trabaje al aire libre con una herramienta eléctrica, utilice exclusivamente un alargador adecuado para exteriores.** La utilización de un alargador adecuado para su uso en exteriores evita el riesgo de una descarga eléctrica.
- ▶ **Cuando no pueda evitarse el uso de la herramienta eléctrica en un entorno húmedo, utilice un interruptor de corriente de defecto.** La utilización de un interruptor de corriente de defecto evita el riesgo de una descarga eléctrica.

Seguridad de las personas

- ▶ **Permanezca atento, preste atención durante el trabajo y utilice la herramienta eléctrica con prudencia. No utilice una herramienta eléctrica si está cansado, ni tampoco después de haber consumido alcohol, drogas o medicamentos.** Un momento de descuido al utilizar la herramienta eléctrica podría producir graves lesiones.
- ▶ **Utilice el equipo de seguridad personal adecuado y lleve siempre gafas protectoras.** El riesgo de lesiones se reduce considerablemente si, según el tipo y la aplicación de la herramienta eléctrica empleada, se utiliza un equipo de seguridad personal adecuado como una mascarilla antipolvo, zapatos de seguridad con suela antideslizante, casco de protección o protección para los oídos.
- ▶ **Evite una puesta en servicio fortuita de la herramienta. Asegúrese de que la herramienta eléctrica está apagada antes de alzarla, transportarla, conectarla a la toma de corriente o insertar la batería.** Si transporta la herramienta eléctrica sujetándola por el interruptor de conexión/desconexión o si introduce el enchufe en la toma de corriente con la herramienta conectada, podría producirse un accidente.
- ▶ **Retire las herramientas de ajuste o llaves fijas antes de conectar la herramienta eléctrica.** Una herramienta o llave colocada en una pieza giratoria puede producir lesiones al ponerse en funcionamiento.
- ▶ **Evite adoptar posturas forzadas. Procure que la postura sea estable y manténgase siempre en equilibrio.** De esta forma podrá controlar mejor la herramienta eléctrica en caso de presentarse una situación inesperada.
- ▶ **Utilice ropa adecuada. No utilice vestimenta amplia ni joyas. Mantenga su pelo, vestimenta y guantes alejados de las piezas móviles.** La vestimenta suelta, las joyas y el pelo largo se pueden enganchar con las piezas en movimiento.
- ▶ **Siempre que sea posible montar equipos de aspiración o captación de polvo, asegúrese de que están conectados y de que se utilizan correctamente.** El uso de un sistema de aspiración de polvo reduce los riesgos derivados del polvo.
- ▶ **No se crea a salvo de cualquier riesgo ni pase por alto ninguna de las normas de seguridad relativas a las herramientas eléctricas, aun cuando esté familiarizado con la herramienta eléctrica y tenga larga experiencia en su uso.** Una actuación negligente puede provocar lesiones graves en cuestión de segundos.

Uso y manejo de la herramienta eléctrica

- ▶ **No sobrecargue la herramienta. Utilice la herramienta eléctrica adecuada para el trabajo que se dispone a realizar.** Con la herramienta eléctrica apropiada podrá trabajar mejor y de modo más seguro dentro del margen de potencia indicado.
- ▶ **No utilice herramientas eléctricas con el interruptor defectuoso.** Las herramientas eléctricas que no se puedan conectar o desconectar son peligrosas y deben repararse.
- ▶ **Extraiga el enchufe de la toma de corriente o retire la batería extraíble antes de efectuar cualquier ajuste en la herramienta, cambiar accesorios o en caso de no utilizar la herramienta durante un tiempo prolongado.** Esta medida preventiva evita el riesgo de arranque accidental de la herramienta eléctrica.
- ▶ **Guarde las herramientas eléctricas que no utilice fuera del alcance de los niños. No permita utilizar la herramienta a ninguna persona que no esté familiarizada con ella o que no haya leído**



este manual de instrucciones. Las herramientas eléctricas utilizadas por personas inexpertas son peligrosas.

- ▶ **Cuide su herramienta eléctrica y los accesorios adecuadamente. Compruebe si las piezas móviles de la herramienta funcionan correctamente y sin atascarse, y si existen piezas rotas o deterioradas que pudieran afectar al funcionamiento de la herramienta eléctrica. Encargue la reparación de las piezas defectuosas antes de usar la herramienta eléctrica.** Muchos accidentes son consecuencia de un mantenimiento inadecuado de la herramienta eléctrica.
- ▶ **Mantenga los útiles limpios y afilados.** Las herramientas de corte bien cuidadas y con aristas afiladas se atascan menos y se guían con más facilidad.
- ▶ **Utilice la herramienta eléctrica, los accesorios, útiles de inserción, etc., de acuerdo con estas instrucciones. Para ello, tenga en cuenta las condiciones de trabajo y la tarea que se va a realizar.** El uso de herramientas eléctricas para trabajos diferentes de aquellos para los que han sido concebidas puede resultar peligroso.
- ▶ **Mantenga las empuñaduras y las superficies de contacto secas, limpias y sin residuos de aceite o grasa.** Las empuñaduras y superficies de contacto resbaladizas impiden manejar y controlar la herramienta eléctrica con seguridad en situaciones imprevistas.

Uso y manejo de la herramienta de batería

- ▶ **Cargue las baterías únicamente con los cargadores recomendados por el fabricante.** Existe riesgo de incendio al intentar cargar baterías de un tipo diferente al previsto para el cargador.
- ▶ **Utilice únicamente las baterías previstas para la herramienta eléctrica.** El uso de otro tipo de baterías puede provocar daños e incluso incendios.
- ▶ **Si no utiliza la batería, guárdela separada de clips, monedas, llaves, clavos, tornillos y demás objetos metálicos que pudieran puentear sus contactos.** El cortocircuito de los contactos de la batería puede causar quemaduras o incendios.
- ▶ **La utilización inadecuada de la batería puede provocar fugas de líquido. Evite el contacto con este líquido. En caso de contacto accidental, enjuague el área afectada con abundante agua. En caso de contacto con los ojos, acuda además inmediatamente a un médico.** El líquido de la batería puede irritar la piel o producir quemaduras.
- ▶ **No utilice baterías dañadas o modificadas.** Una batería dañada o modificada puede tener un comportamiento imprevisible y provocar incendios, explosiones o riesgo de lesiones.
- ▶ **No exponga la batería al fuego o a temperaturas muy elevadas.** El fuego o las temperaturas superiores a 130 °C (265 °F) pueden provocar una explosión.
- ▶ **Siga todas las instrucciones relativas a la carga y no cargue nunca la batería o la herramienta de batería excediendo el rango de temperatura indicado en el manual de instrucciones.** Una carga incorrecta o fuera del rango de temperatura permitido puede destruir la batería y aumentar el riesgo de incendio.

Servicio Técnico

- ▶ **Solicite que un profesional lleve a cabo la reparación de su herramienta eléctrica y que utilice exclusivamente piezas de repuesto originales.** Solamente así se garantiza la seguridad de la herramienta.
- ▶ **No realice nunca el mantenimiento de baterías dañadas.** Cualquier mantenimiento de las baterías debe llevarlo a cabo el fabricante o un centro del Servicio de Atención al Cliente autorizado.

2.2 Indicaciones de seguridad adicionales para sierras con hojas de sierra de vaivén

- ▶ **Sujete la herramienta por las empuñaduras aisladas cuando realice trabajos en los que el útil de inserción pueda entrar en contacto con cables eléctricos ocultos.** El contacto con los cables conductores puede traspasar la conductividad a las partes metálicas y producir descargas eléctricas.
- ▶ **Fije y asegure la herramienta a una superficie estable con abrazaderas o mediante otro sistema.** Si solo utiliza la mano para sujetar la pieza de trabajo o se la apoya contra el cuerpo, la pieza estará inestable, lo que puede provocar una pérdida de control.

2.3 Indicaciones de seguridad adicionales para el serrado

Seguridad de las personas

- ▶ **Mantenga las manos alejadas del área de corte y de la hoja de sierra.** Sujete la empuñadura adicional o la carcasa del motor con la otra mano. Si sujeta la sierra con ambas manos, no correrá peligro de lesionarse con la sierra.
- ▶ **Utilice el producto solo si está en perfecto estado técnico.**
- ▶ **No efectúe nunca manipulaciones o modificaciones en la herramienta.**



- ▶ Para cambiar el útil, utilice también guantes de protección. El contacto con el útil de inserción puede producir cortes y quemaduras.
- ▶ Antes de iniciar el trabajo, consulte la clase de peligros derivados del polvo resultante del trabajo. Utilice un aspirador de obra con una clasificación de protección homologada conforme a las normas locales sobre la protección contra el polvo. El polvo procedente de materiales como pinturas con plomo, determinadas maderas, hormigón/mampostería/rocas con cuarzo, así como minerales y metal puede ser nocivo para la salud.
- ▶ Procure una buena ventilación en el lugar de trabajo y utilice en caso necesario una mascarilla adecuada para cada clase de polvo. El contacto con el polvo o su inhalación puede provocar reacciones alérgicas o asfixia al usuario o a personas que se encuentren en su entorno. Únicamente expertos cualificados están autorizados a manipular materiales que contengan asbesto.
- ▶ No toque la parte inferior de la pieza de trabajo.
- ▶ No sujete nunca la pieza de trabajo con la mano o sobre sus piernas. Fije la pieza de trabajo sobre una superficie estable.
- ▶ Sujete la herramienta con firmeza siempre con ambas manos por las empuñaduras previstas manteniendo los brazos en una posición que le permita hacer frente a las fuerzas de rebote.
- ▶ Mantenga las empuñaduras secas y limpias.
- ▶ Mantenga la hoja de sierra a un lado y no la coloque en línea con su cuerpo. La sierra puede retroceder bruscamente al rebotar.
- ▶ Si la hoja de sierra se atasca o el trabajo se interrumpe, desconecte la sierra y espere hasta que la hoja de sierra se detenga. Nunca intente extraer la sierra de la pieza de trabajo ni tirar de ella hacia atrás mientras la hoja de sierra esté en funcionamiento, ya que de lo contrario puede rebotar.
- ▶ Para continuar el trabajo con la sierra insertada en la pieza de trabajo, centre la hoja de sierra en la ranura y compruebe que los dientes no estén enganchados en la pieza de trabajo.
- ▶ Preste especial atención al serrar en paredes o en áreas ocultas. Durante el proceso de serrado, la hoja de sierra puede quedar bloqueada en objetos ocultos y provocar un rebote.

Seguridad eléctrica

- ▶ Antes de empezar a trabajar, compruebe si la zona de trabajo oculta cables eléctricos, tuberías de gas o cañerías de agua. Las partes metálicas exteriores de la herramienta pueden provocar una descarga eléctrica si se daña por error un cable eléctrico.
- ▶ Sujete la herramienta por las empuñaduras aisladas cuando realice trabajos en los que el útil de inserción pueda entrar en contacto con cables eléctricos ocultos. El contacto con los cables conductores puede traspasar la conductividad a las partes metálicas y producir descargas eléctricas.

Manipulación y utilización segura de las herramientas eléctricas

- ▶ No utilice hojas de sierra desafiladas o dañadas. Estas podrían provocar una elevada fricción, el atasco o el rebote de la hoja de sierra.
- ▶ Consulte las indicaciones del fabricante sobre el manejo y conservación de las hojas de sierra.
- ▶ El producto debe presionarse con la zapata de presión contra la pieza con la que se va a trabajar. Eso garantiza un trabajo óptimo y seguro.
- ▶ Protéjase de las virutas calientes con las prendas protectoras necesarias.

2.4 Indicaciones de seguridad adicionales

- ▶ Utilice el producto solo si está en perfecto estado técnico.
- ▶ No efectúe nunca manipulaciones o modificaciones en la herramienta.
- ▶ No utilice hojas de sierra desafiladas o dañadas. Estas podrían provocar una elevada fricción, el atasco o el rebote de la hoja de sierra.
- ▶ Antes de empezar a trabajar, compruebe si la zona de trabajo oculta cables eléctricos, tuberías de gas o cañerías de agua. Las partes metálicas exteriores de la herramienta pueden provocar una descarga eléctrica si se daña por error un cable eléctrico.
- ▶ Fije la pieza de trabajo sobre una superficie estable. No sujete nunca la pieza de trabajo con la mano o sobre sus piernas.
- ▶ Conecte el producto una vez se encuentre en la posición de trabajo.
- ▶ Aparte siempre la herramienta del cuerpo cuando se esté trabajando con ella.
- ▶ Trabaje con una presión de apriete moderada y una velocidad de corte adecuada, en especial si el diámetro del tubo es muy grande. De este modo, se impide el sobrecalentamiento de la herramienta.
- ▶ A la hora de cortar canalizaciones, asegúrese primero de que las tuberías no contengan líquido. Vacíelas si fuera necesario.



- ▶ Cuando se vayan a seccionar canalizaciones deberá mantenerse la herramienta más alta que el conducto que se va a cortar.
 - ▶ La herramienta no está dotada de ninguna protección contra la penetración de humedad. El líquido derramado puede ocasionar un cortocircuito en la herramienta.
- ▶ No corte nunca superficies desconocidas y mantenga la guía de corte libre de obstáculos por arriba y por abajo.
 - ▶ Si la hoja de sierra topa con un obstáculo, puede provocar un retroceso en la herramienta.
- ▶ Para cambiar el útil, utilice también guantes de protección. El contacto con el útil de inserción puede producir cortes y quemaduras.
- ▶ Retire siempre la batería de la herramienta cuando no la utilice, antes de realizar un trabajo de mantenimiento o cambiar los útiles y durante el transporte.
- ▶ Active el seguro de transporte para realizar el almacenamiento y el transporte de la herramienta.
- ▶ Consulte las indicaciones del fabricante sobre el manejo y conservación de las hojas de sierra.
- ▶ El usuario y las personas que se encuentren en las inmediaciones de la zona de uso de la herramienta deberán llevar gafas protectoras adecuadas, casco de protección, protección para los oídos, guantes de protección y una mascarilla ligera.
- ▶ Utilice siempre una hoja de sierra con la longitud adecuada. La hoja de sierra debe sobresalir de la pieza de trabajo durante la carrera completa.
- ▶ Haga pausas durante el trabajo, así como ejercicios de relajación y estiramiento de los dedos para mejorar la circulación.
- ▶ No mire directamente hacia la luz (LED) ni dirija la luz a la cara de otras personas. Existe riesgo de deslumbramiento.
- ▶ El material que sale disparado puede ocasionar lesiones en los ojos y en el cuerpo. Utilice el equipo de seguridad personal adecuado y lleve siempre gafas y guantes protectores.
- ▶ Durante el proceso de taladrado, proteja la zona opuesta al lugar donde se realiza el trabajo.

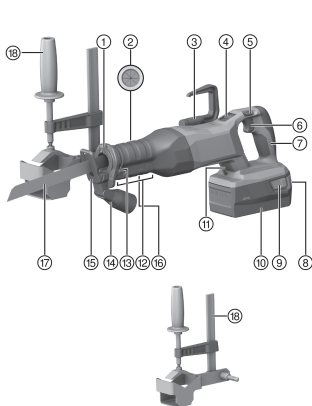
2.5 Manipulación y utilización segura de las baterías

- ▶ Tenga en cuenta las directivas especiales en materia de transporte, almacenamiento y manejo de las baterías de Ion-Litio.
- ▶ Mantenga las baterías alejadas de altas temperaturas, radiación solar directa y fuego.
- ▶ Las baterías no se deben destruir, comprimir, calentar por encima de 80 °C (176 °F) o quemar.
- ▶ No utilice ni cargue baterías que hayan recibido algún golpe, que hayan caído desde una altura superior a un metro o que estén dañadas de alguna otra forma. En este caso, póngase siempre en contacto con el **Hilti Servicio Técnico**.
- ▶ Si al tocar la batería detecta que está muy caliente, puede deberse a una avería en la misma. Coloque la batería en un lugar visible, no inflamable, a suficiente distancia de otros materiales inflamables. Deje que la batería se enfríe. Si, después de una hora, la herramienta sigue estando demasiado caliente para tocarla significa que está averiada. Póngase en contacto con el **Servicio Técnico de Hilti**.



3 Descripción

3.1 Vista general del producto 1



- ① Portaútiles
- ② Alojamiento para el adaptador de corte
- ③ Colgador de andamio plegable
- ④ Preselección de velocidad
- ⑤ Seguro de transporte
- ⑥ Conmutador de control
- ⑦ Empuñadura trasera
- ⑧ Indicador del estado de carga de la batería
- ⑨ Tecla de desbloqueo de la batería
- ⑩ Batería
- ⑪ Anillo de seguridad
- ⑫ Zona de agarre delantera
- ⑬ Palanca para desbloqueo de la hoja de sierra
- ⑭ Conexión para aspirador (EE. UU.: accesorio)
- ⑮ Zapata de presión
- ⑯ Botón de desbloqueo de la zapata de presión
- ⑰ Hoja de sierra
- ⑱ Adaptador de corte (accesorio)

3.2 Uso conforme a las prescripciones

El producto descrito es una sierra sable de batería. Está destinada al tronzado de madera, materiales similares y metálicos, así como plásticos.

El producto ha sido diseñado para el uso con dos manos.

- ▶ Para este producto utilice únicamente las baterías de Ion-Litio de **Hilti** de la serie B 36.
- ▶ Para estas baterías utilice exclusivamente los cargadores de **Hilti** de la serie C4/36.

3.3 Posibles usos indebidos

- ▶ No corte ladrillos, hormigón, hormigón poroso, piedra natural ni azulejos.
- ▶ No utilice el producto para cortar tuberías que todavía contienen líquidos.
- ▶ No sierre cuando se desconozca lo que se encuentra en la capa inferior.

3.4 Indicador de la batería de Ion-Litio

El estado de carga de la batería de Ion-Litio y las averías de la herramienta se señalizan mediante el indicador de la batería de Ion-Litio. El estado de carga de la batería de Ion-Litio se visualiza pulsando una de las dos teclas de desbloqueo de la batería.

Estado	Significado
Los 4 LED encendidos.	Estado de carga: 75 % a 100 %
3 LED encendidos.	Estado de carga: 50 % a 75 %
2 LED encendidos.	Estado de carga: 25 % a 50 %
1 LED encendido.	Estado de carga: 10 % a 25 %
1 LED parpadea.	Estado de carga: < 10 %
1 LED parpadea, la herramienta no está lista para funcionar.	La batería está sobrecalentada o totalmente descargada.
4 LED parpadean, la herramienta no está lista para funcionar.	La herramienta está sobrecargada o sobrecalentada.





Con el conmutador de control accionado y hasta 5 s después de soltarlo no es posible consultar el estado de carga.

Si los LED del indicador de la batería parpadean, observe las indicaciones del capítulo «Ayuda en caso de averías».

3.5 Suministro

Sierra sable, manual de instrucciones.

Encontrará otros productos del sistema autorizados para su producto en su **Hilti Store** o en Internet, en: www.hilti.group

4 Datos técnicos

	SR 30-A36
Tensión nominal	36 V
Peso	4,4 kg (9,7 lb)
Número de carreras (Posición 1)	2.000 rpm
Número de carreras (Posición 2)	2.800 rpm
Longitud de carrera	32 mm (1,3 in)
Portaútiles	0,5 in
Temperatura ambiente en funcionamiento	-17 °C ... 60 °C (1 °F ... 140 °F)
Temperatura de almacenamiento	-20 °C ... 70 °C (-4 °F ... 158 °F)

4.1 Batería

Tensión de servicio de la batería	36 V
Temperatura ambiente en funcionamiento	-17 °C ... 60 °C (1 °F ... 140 °F)
Temperatura de almacenamiento	-20 °C ... 40 °C (-4 °F ... 104 °F)
Temperatura de la batería al comenzar la carga	-10 °C ... 45 °C (14 °F ... 113 °F)

5 Preparación del trabajo



ADVERTENCIA

Riesgo de lesiones por arranque involuntario.

- ▶ Antes de insertar la batería, asegúrese de que el producto correspondiente esté desconectado.
- ▶ Retire la batería antes de realizar ajustes en la herramienta o de cambiar accesorios.

Respete las indicaciones de seguridad y las advertencias presentes en esta documentación y en el producto.

5.1 Carga de la batería

1. Antes de cargarla, lea el manual de instrucciones del cargador.
2. Asegúrese de que los contactos de la batería y del cargador estén limpios y secos.
3. Cargue la batería en un cargador autorizado. → página 29



5.2 Colocación de la batería

ADVERTENCIA

Riesgo de lesiones por cortocircuito o caída de la batería.

- ▶ Antes de insertar la batería, asegúrese de que los contactos de la batería y del producto estén libres de cuerpos extraños.
- ▶ Asegúrese de que la batería encaje siempre correctamente.

1. Cargue por completo la batería antes de la primera puesta en servicio.
2. Introduzca la batería en el producto hasta que encaje de forma audible.
3. Compruebe que la batería está bien colocada.

5.3 Extracción de la batería

1. Pulse las teclas de desbloqueo de la batería.
2. Extraiga la batería de la herramienta.

5.4 Montaje del colgador de andamio (accesorio)

1. Active el seguro de transporte.
2. Monte el colgador de andamio.

5.5 Colocación de la hoja de sierra



Utilice únicamente hojas de sierra con extremos de inserción de 1/2".

1. Active el seguro de transporte o desconecte la batería de la herramienta.
2. Compruebe si el extremo de inserción del útil está limpio y ligeramente engrasado. Limpie y engrase el extremo de inserción en caso necesario.
3. Desplace la palanca de bloqueo hacia arriba hasta el tope y sujétela en esta posición.
4. Introduzca la hoja de sierra por la parte delantera del portaútiles.
5. Deslice la palanca de bloqueo hacia atrás.
6. Tire de la hoja de sierra para comprobar que esté bien enclavada.

5.6 Montaje de la conexión para aspirador (EE. UU.: accesorio)

1. Extraiga la zapata de presión.
2. Coloque la toma de aspiración en el alojamiento para la zapata de presión.
3. Introduzca la zapata de presión ligeramente engrasada en la guía.

6 Manejo

Respete las indicaciones de seguridad y las advertencias presentes en esta documentación y en el producto.

6.1 Guiado de la sierra

1. Sujete la sierra por las empuñadura pertinentes.
2. Guíe la sierra hasta la pieza de trabajo.
3. Mueva la sierra adelante y atrás.
 - ▶ Si presiona la sierra contra la pieza de trabajo, la hoja de sierra podría romperse y provocar lesiones.

6.2 Serrado

ADVERTENCIA

Riesgo de lesiones debido a un colgador de andamio defectuoso. Si se cae la herramienta, usted u otras personas pueden verse en peligro.

- ▶ Antes de iniciar el trabajo, compruebe que el colgador de andamio está bien fijado y no presenta desperfectos.



1. Desactive el seguro de transporte y pulse el conmutador de control.
 - ▶ En la parte de la imagen encontrará diversas opciones para guiar la sierra de forma efectiva.
2. Cuando haya terminado la operación de serrado, suelte el conmutador de control.
3. Active el seguro de transporte.

6.3 Retirada de la hoja de sierra



PRECAUCIÓN

Riesgo de lesiones. El útil de inserción puede estar caliente y/o ser afilado.

- ▶ Utilice guantes de protección para cambiar el útil de inserción.
- ▶ Si el útil de inserción está caliente, no lo coloque en ningún caso sobre bases que sean inflamables.

1. Active el seguro de transporte o desconecte la batería de la herramienta.
2. Desplace la palanca de bloqueo hacia arriba hasta el tope y sujétela en esta posición.
3. Extraiga la hoja de sierra del portaútiles tirando hacia fuera.
4. Deslice la palanca de bloqueo hacia atrás.

7 Cuidado y mantenimiento



ADVERTENCIA

Riesgo de lesiones con la batería colocada !

- ▶ Extraiga siempre la batería antes de llevar a cabo tareas de cuidado y mantenimiento.

Mantenimiento de la herramienta

- Retire con cuidado la suciedad fuertemente adherida.
- Limpie cuidadosamente las rejillas de ventilación con un cepillo seco.
- Limpie la carcasa utilizando únicamente un paño ligeramente humedecido. No utilice limpiadores que contengan silicona, ya que podría afectar a las piezas de plástico.
- Limpie el portaútiles desde fuera y lubríquelo regularmente. Para ello, utilice el spray **Hilti** 314648.

Cuidado de las baterías de Ion-Litio

- Mantenga la batería limpia y sin residuos de aceite o grasa.
- Limpie la carcasa utilizando únicamente un paño ligeramente humedecido. No utilice limpiadores que contengan silicona, ya que podría afectar a las piezas de plástico.
- Evite la penetración de humedad.

Mantenimiento

- Compruebe con regularidad si las piezas visibles están dañadas o si los elementos de manejo funcionan correctamente.
- No utilice el producto si presenta daños o fallos que afecten al funcionamiento. Llévela de inmediato al Servicio Técnico de **Hilti** para que la reparen.
- Coloque todos los dispositivos de protección después de las tareas de cuidado y mantenimiento y compruebe su correcto funcionamiento.



Para garantizar un correcto funcionamiento, utilice exclusivamente piezas de repuesto y material de consumo originales. Puede encontrar piezas de repuesto, consumibles y accesorios para su producto que nosotros mismos comercializamos en **Hilti Store** o en: www.hilti.group.

7.1 Sustitución de la zapata de presión



La zapata de presión se puede sustituir en caso necesario.

1. Extraiga la batería.
2. Retire la hoja de sierra. → página 32
3. Presione el botón rojo de desbloqueo de la zapata de presión situado en la parte inferior de la sierra sable.
4. Extraiga la zapata de presión.



5. Presione el botón rojo de desbloqueo de la zapata de presión situado en la parte inferior de la sierra sable.
6. Introduzca la zapata de presión, ligeramente engrasada, en la guía.
7. Compruebe que la zapata de presión esté encajada.

8 Transporte y almacenamiento de las baterías y sus herramientas

Transporte

PRECAUCIÓN

Arranque involuntario en el transporte !

- ▶ Transporte sus productos siempre sin batería.
- ▶ Extraiga la(s) batería(s).
- ▶ Nunca transporte las baterías sin embalaje. Durante el transporte, las baterías deben estar protegidas frente a vibraciones y golpes excesivos y aisladas de todo material conductor y de otras baterías para que no entren en contacto con los polos de otras baterías y causen un cortocircuito. **Tenga en cuenta las normativas locales sobre el transporte de baterías.**
- ▶ Las baterías no deben enviarse por correo. Diríjase a una empresa de transporte si quiere enviar baterías no dañadas.
- ▶ Compruebe si el producto o las baterías están dañados antes de cada uso y antes y después de un transporte prolongado.

Almacenamiento

ADVERTENCIA

Daños imprevistos debido a una batería defectuosa o agotada !

- ▶ Guarde su productos siempre sin batería.
- ▶ Guarde el producto y las baterías en un lugar fresco y seco. Tenga en cuenta los valores límite de temperatura que figuran en los datos técnicos.
- ▶ No almacene las baterías en el cargador. Extraiga siempre la batería del cargador después del proceso de carga.
- ▶ No guarde nunca las baterías en un lugar expuesto al sol, a fuentes de calor o detrás de un cristal.
- ▶ Guarde el producto y las baterías fuera del alcance de niños y personas no autorizadas.
- ▶ Compruebe si el producto o las baterías están dañados antes de cada uso y antes y después de un almacenamiento prolongado.

9 Ayuda en caso de averías

Si se producen averías que no estén incluidas en esta tabla o que no pueda solucionar usted, diríjase al Servicio Técnico de **Hilti**.

9.1 La sierra sable no está lista para funcionar

Anomalía	Posible causa	Solución
La herramienta no se pone en marcha.	La batería no se ha insertado completamente.	▶ Introduzca la batería hasta que encaje y se oiga un «clíc».
	La batería está descargada.	▶ Cargue la batería.
	Seguro de transporte no activado.	▶ Accione el seguro de transporte.
La hoja de sierra no puede extraerse del portaútiles.	La palanca de bloqueo no está presionada hasta el tope.	▶ Presione la palanca de bloqueo hasta el tope y retire la hoja de sierra.
	El portaútiles está obstruido con restos de serrado.	▶ Retire los restos de serrado y limpie regularmente el portaútiles desde fuera. Mantenimiento de la herramienta. → página 32



9.2 La sierra sable está lista para funcionar

Anomalía	Posible causa	Solución
La herramienta no desarrolla toda la potencia.	Conmutador de control no presionado del todo	▶ Pulse completamente el conmutador de control.
	Descarga de la batería	▶ Cambie la batería y cargue la que se encuentra descargada.
La hoja de sierra no puede extraerse del portaútiles.	La palanca de bloqueo no está presionada hasta el tope.	▶ Presione la palanca de bloqueo hasta el tope y retire la hoja de sierra.

10 Reciclaje

ADVERTENCIA

Riesgo de lesiones por un reciclaje indebido. Riesgo para la salud debido a escapes de gases o líquidos.

- ▶ No envíe baterías dañadas bajo ningún concepto.
- ▶ Cubra las conexiones con un material no conductor para evitar cortocircuitos.
- ▶ Deshágase de las baterías de tal forma que no terminen en manos de niños.
- ▶ Elimine la batería en su **Hilti Store** o diríjase a su empresa de desechos.

Los productos **Hilti** están fabricados en su mayor parte con materiales reutilizables. La condición para dicha reutilización es una separación adecuada de los materiales. En muchos países, **Hilti** recoge las herramientas usadas para su recuperación. Pregunte al Servicio de Atención al Cliente de **Hilti** o a su asesor de ventas.



- ▶ No deseche las herramientas eléctricas, los aparatos eléctricos ni las baterías junto con los residuos domésticos.

11 Garantía del fabricante

- ▶ Si tiene alguna consulta acerca de las condiciones de la garantía, póngase en contacto con su sucursal local de **Hilti**.

Manual de instruções original

1 Indicações sobre a documentação

1.1 Sobre esta documentação

- Antes da colocação em funcionamento, leia esta documentação. Esta é a condição para um trabalho seguro e um manuseamento sem problemas.
- Tenha em atenção as instruções de segurança e as advertências nesta documentação e no produto.
- Guarde o manual de instruções sempre junto do produto e entregue-o a outras pessoas apenas juntamente com este manual.

1.2 Explicação dos símbolos

1.2.1 Advertências

As advertências alertam para perigos durante a utilização do produto. São utilizadas as seguintes palavras de aviso:

PERIGO

PERIGO !

- ▶ Indica perigo iminente que pode originar acidentes pessoais graves ou até mesmo fatais.



AVISO

AVISO !

- ▶ Indica um possível perigo que pode causar graves ferimentos pessoais, até mesmo fatais.

CUIDADO

CUIDADO !

- ▶ Indica uma situação potencialmente perigosa que pode originar ferimentos corporais ou danos materiais.

1.2.2 Símbolos na documentação

Nesta documentação são utilizados os seguintes símbolos:

	Leia o manual de instruções antes da utilização
	Instruções de utilização e outras informações úteis
	Manuseamento com materiais recicláveis
	Não deitar as ferramentas eléctricas e baterias no lixo doméstico

1.2.3 Símbolos nas figuras

Em figuras são utilizados os seguintes símbolos:

	Estes números referem-se à respectiva imagem no início deste Manual
	A numeração reproduz uma sequência dos passos de trabalho na imagem e pode divergir dos passos de trabalho no texto
	Na figura Vista geral são utilizados números de posição que fazem referência aos números da legenda na secção Vista geral do produto
	Este símbolo pretende despertar a sua atenção durante o manuseamento do produto.

1.3 Símbolos dependentes do produto

1.3.1 Símbolos no produto

No produto, podem usar-se os seguintes símbolos:

	Corrente contínua
n_0	Número de cursos em vazio
	O produto suporta a transmissão de dados sem fios, que é compatível com plataformas iOS e Android.
Li-Ion	Bateria de iões de lítio
	Série utilizada da bateria de iões de lítio Hilti . Tenha em atenção as indicações no capítulo Utilização conforme a finalidade projectada .
	Nunca utilize a bateria como ferramenta de percussão.
	Não deixe cair a bateria. Não utilize baterias que tenham recebido uma pancada ou que estejam, de outra forma, danificadas.

1.4 Dados informativos sobre o produto

Os produtos destinam-se ao utilizador profissional e só podem ser operados, mantidos e reparados por pessoal autorizado, devidamente qualificado. Estas pessoas deverão estar informadas em particular sobre os potenciais perigos. O produto e seu equipamento auxiliar podem representar perigo se



usados incorrectamente por pessoas não qualificadas ou se usados para fins diferentes daqueles para os quais foram concebidos.

A designação e o número de série são indicados na placa de características.

- ▶ Registe o número de série na tabela seguinte. Precisa dos dados do produto para colocar questões ao nosso representante ou posto de serviço de atendimento aos clientes.

Dados do produto

Serra de sabre	SR 30-A36
Geração	01
N.º de série	

1.5 Declaração de conformidade

Declaramos sob nossa exclusiva responsabilidade que o produto aqui descrito está em conformidade com as directivas e normas em vigor. Na parte final desta documentação encontra uma reprodução do organismo de certificação.

As documentações técnicas estão aqui guardadas:

Hilti Entwicklungsgesellschaft mbH | Zulassung Geräte | Hiltistraße 6 | 86916 Kaufering, DE

2 Segurança

2.1 Normas de segurança gerais para ferramentas eléctricas

⚠ AVISO Leia todas as normas de segurança, instruções, imagens e dados técnicos, com os quais esta ferramenta eléctrica está equipada. O não cumprimento das instruções a seguir pode resultar em choque eléctrico, incêndio e/ou ferimentos graves.

Guarde bem todas as normas de segurança e instruções para futura referência.

O termo “ferramenta eléctrica” utilizado nas normas de segurança refere-se a ferramentas com ligação à corrente eléctrica (com cabo de alimentação) ou a ferramentas a bateria (sem cabo).

Segurança no posto de trabalho

- ▶ **Mantenha a sua área de trabalho limpa e bem iluminada.** Locais desarrumados ou mal iluminados podem ocasionar acidentes.
- ▶ **Não utilize a ferramenta eléctrica em ambientes explosivos ou na proximidade de líquidos ou gases inflamáveis.** Ferramentas eléctricas produzem faíscas que podem provocar a ignição de pó e vapores.
- ▶ **Mantenha crianças e terceiros afastados durante os trabalhos.** Distacções podem conduzir à perda de controlo sobre a ferramenta.

Segurança eléctrica

- ▶ **A ficha da ferramenta eléctrica deve servir na tomada. A ficha não deve ser modificada de modo algum. Não utilize quaisquer adaptadores com ferramentas eléctricas com ligação terra.** Fichas originais (não modificadas) e tomadas adequadas reduzem o risco de choque eléctrico.
- ▶ **Evite o contacto do corpo com superfícies ligadas à terra, como, por exemplo, canos, radiadores, fogões e frigoríficos.** Existe um risco elevado de choque eléctrico se o corpo estiver com ligação à terra.
- ▶ **As ferramentas eléctricas não devem ser expostas à chuva nem à humidade.** A infiltração de água numa ferramenta eléctrica aumenta o risco de choque eléctrico.
- ▶ **Não use o cabo de ligação para transportar, pendurar ou desligar a ferramenta eléctrica da tomada. Mantenha o cabo de ligação afastado de calor, óleo, arestas vivas ou partes em movimento.** Cabos de ligação danificados ou emaranhados aumentam o risco de choque eléctrico.
- ▶ **Quando operar uma ferramenta eléctrica ao ar livre, utilize apenas cabos de extensão próprios para utilização no exterior.** A utilização de um cabo de extensão próprio para utilização no exterior reduz o risco de choques eléctricos.
- ▶ **Utilize um disjuntor diferencial se não puder ser evitada a utilização da ferramenta eléctrica em ambiente húmido.** A utilização de um disjuntor diferencial reduz o risco de choque eléctrico.

Segurança física

- ▶ **Esteja alerta, observe o que está a fazer, e tenha prudência ao trabalhar com uma ferramenta eléctrica. Se estiver cansado ou sob influência de drogas, álcool ou medicamentos não efectue nenhum trabalho com ferramentas eléctricas.** Um momento de distração ao operar a ferramenta eléctrica pode causar ferimentos graves.



- ▶ **Use equipamento de segurança. Use sempre óculos de protecção.** Equipamento de segurança, como, por exemplo, máscara antipoeiras, sapatos de segurança antiderrapantes, capacete de segurança ou protecção auricular, de acordo com o tipo e aplicação da ferramenta eléctrica, reduzem o risco de lesões.
- ▶ **Evite um arranque involuntário. Assegure-se de que a ferramenta eléctrica está desligada antes de a ligar à fonte de alimentação e/ou à bateria, pegar nela ou a transportar.** Transportar a ferramenta eléctrica com o dedo no interruptor ou ligar uma ferramenta à tomada com o interruptor ligado (ON) pode resultar em acidentes.
- ▶ **Remova quaisquer chaves de ajuste (chaves de fenda), antes de ligar a ferramenta eléctrica.** Um acessório ou chave deixado preso numa parte rotativa da ferramenta pode causar ferimentos.
- ▶ **Evite posturas corporais desfavoráveis. Mantenha sempre uma posição correcta, em perfeito equilíbrio.** Desta forma será mais fácil manter o controlo sobre a ferramenta eléctrica em situações inesperadas.
- ▶ **Use roupa apropriada. Não use roupa larga ou jóias. Mantenha o cabelo, vestuário e luvas afastados das peças móveis.** Roupas largas, jóias ou cabelos compridos podem ficar presos nas peças móveis.
- ▶ **Se poderem ser montados sistemas de remoção e de recolha de pó, assegure-se de que estes estão ligados e são utilizados correctamente.** A utilização de um sistema de remoção de pó pode reduzir os perigos relacionados com a exposição ao mesmo.
- ▶ **Não se acomode numa falsa sensação de segurança e não ignore os regulamentos de segurança para ferramentas eléctricas, mesmo se estiver familiarizado com a ferramenta eléctrica após numerosas utilizações.** Agir de forma descuidada pode causar ferimentos graves dentro duma fracção de segundo.

Utilização e manuseamento da ferramenta eléctrica

- ▶ **Não sobrecarregue a ferramenta. Use para o seu trabalho a ferramenta eléctrica correcta.** Com a ferramenta eléctrica adequada obterá maior eficiência e segurança se respeitar os seus limites.
- ▶ **Não utilize a ferramenta eléctrica se o interruptor estiver defeituoso.** Uma ferramenta eléctrica que já não possa ser accionada pelo interruptor é perigosa e deve ser reparada.
- ▶ **Retire a ficha da tomada e/ou remova uma bateria amovível antes de efectuar ajustes na ferramenta, substituir acessórios ou guardar a ferramenta.** Esta medida preventiva evita o accionamento accidental da ferramenta eléctrica.
- ▶ **Guarde ferramentas eléctricas não utilizadas fora do alcance das crianças. Não permita que a ferramenta seja utilizada por pessoas não familiarizadas com a mesma ou que não tenham lido estas instruções.** Ferramentas eléctricas operadas por pessoas não treinadas são perigosas.
- ▶ **Faça uma manutenção regular de ferramentas eléctricas e acessórios. Verifique se as partes móveis funcionam perfeitamente e não emperram ou se há peças quebradas ou danificadas que possam influenciar o funcionamento da ferramenta eléctrica. Peças danificadas devem ser reparadas antes da utilização da ferramenta.** Muitos acidentes são causados por ferramentas eléctricas com manutenção deficiente.
- ▶ **Mantenha as ferramentas de corte sempre afiadas e limpas.** Acessórios com gumes afiados tratados correctamente emperram menos e são mais fáceis de controlar.
- ▶ **Utilize a ferramenta eléctrica, acessórios, bits, etc., de acordo com estas instruções. Tome também em consideração as condições de trabalho e o trabalho a ser efectuado.** A utilização da ferramenta eléctrica para outros fins além dos previstos, pode ocasionar situações de perigo.
- ▶ **Mantenha punhos e respectivas superfícies secos, limpos e isentos de óleo e gordura.** Punhos e superfícies afins escorregadios não permitem um manuseamento e controlo seguro da ferramenta eléctrica em situações imprevistas.

Utilização e manuseamento da ferramenta a bateria

- ▶ **Apenas deverá carregar as baterias em carregadores recomendados pelo fabricante.** Num carregador adequado para um determinado tipo de baterias existe perigo de incêndio se for utilizado para outras baterias.
- ▶ **Nas ferramentas eléctricas utilize apenas as baterias previstas.** A utilização de outras baterias pode causar ferimentos e riscos de incêndio.
- ▶ **Quando a bateria não estiver em uso, mantenha-a afastada de outros objectos de metal, como, por exemplo, cliques, moedas, chaves, pregos, parafusos, ou outros pequenos objectos metálicos que possam ligar em ponte os contactos.** Um curto-circuito entre os contactos da bateria pode causar queimaduras ou incêndio.
- ▶ **Utilizações inadequadas podem provocar derrame do líquido da bateria. Evite o contacto com este líquido. No caso de contacto accidental, enxágue imediatamente com água. Se o líquido entrar**



em contacto com os olhos, procure auxílio médico. O líquido que escorre da bateria pode provocar irritações ou queimaduras da pele.

- ▶ **Não utilize uma bateria danificada ou modificada.** Baterias danificadas ou modificadas podem ter um comportamento imprevisível e causar fogo, explosão ou risco de ferimentos.
- ▶ **Não exponha uma bateria ao fogo ou a temperaturas excessivas.** Fogo e temperaturas superiores a 130 °C (265 °F) podem provocar uma explosão.
- ▶ **Cumpra todas as instruções sobre o carregamento e nunca carregue a bateria ou a ferramenta a bateria fora da faixa de temperaturas indicada no manual de instruções.** O carregamento errado ou fora da faixa de temperaturas permitida pode destruir a bateria e aumentar o risco de incêndio.

Manutenção

- ▶ **A sua ferramenta eléctrica só deve ser reparada por pessoal qualificado e só devem ser utilizadas peças sobressalentes originais.** Isto assegurará que a segurança da ferramenta se mantenha.
- ▶ **Nunca faça a manutenção de baterias danificadas.** Qualquer manutenção de baterias só deverá ser realizada pelo fabricante ou serviços de assistência técnica autorizados.

2.2 Normas de segurança adicionais para serras com lâmina a fazer movimento de vai-vém

- ▶ **Segure a ferramenta apenas pelas áreas isoladas dos punhos quando executar trabalhos onde o acessório pode encontrar cabos eléctricos encobertos.** O contacto com um cabo sob tensão também pode colocar partes metálicas da ferramenta sob tensão e causar um choque eléctrico.
- ▶ **Fixe e proteja a ferramenta com sargentos ou de uma outra forma numa base estável.** Se segurar a peça a trabalhar apenas com a mão ou se a segurar contra o seu corpo, esta permanece instável, o que poderá dar origem à perda de controlo.

2.3 Normas de segurança adicionais para serras

Segurança física

- ▶ Não introduza as mãos na zona de corte nem toque na própria lâmina de serra. Segure o punho adicional ou a carcaça do motor com a outra mão. Se ambas as mãos segurarem a serra, estas não poderão ser feridas pela serra.
- ▶ Utilize o produto somente se estiver em perfeitas condições técnicas.
- ▶ Nunca efectue quaisquer manipulações ou modificações na ferramenta.
- ▶ Também deve usar luvas de protecção durante a substituição de acessórios. Tocar no acessório pode causar ferimentos por corte e queimaduras.
- ▶ Antes de iniciar os trabalhos, apure a classe de perigo do pó gerado. Utilize um aspirador industrial com protecção aprovada e que esteja de acordo com as regulamentações locais sobre emissão de poeiras nocivas para o ambiente. Pós de materiais, como tinta com chumbo, algumas madeiras, betão/alvenaria/rochas quartzíferas, minerais e metal podem ser nocivos para a saúde.
- ▶ Garanta uma boa ventilação do local de trabalho e, se necessário, use uma máscara de protecção respiratória, adequada para o respectivo pó. O contacto ou a inalação do pó podem provocar reacções alérgicas e/ou doenças das vias respiratórias no utilizador ou em pessoas que se encontrem nas proximidades. Material que contenha amianto só pode ser manuseado por pessoal especializado.
- ▶ Não introduza a mão por baixo da peça a cortar.
- ▶ Nunca segure a peça a cortar com as mãos ou sobre as pernas. Fixe-a a um suporte estável.
- ▶ Segure sempre a ferramenta com ambas as mãos nos punhos previstos para o efeito, colocando os braços numa posição em que poderá absorver as forças do contragolpe.
- ▶ Mantenha os punhos secos e limpos.
- ▶ Coloque-se sempre ao lado da lâmina de serra, fazendo com que a lâmina de serra e o próprio corpo nunca se encontrem na mesma linha. Em caso de contragolpe, a serra pode saltar para trás!
- ▶ Se a lâmina de serra encravar ou se interromper os trabalhos, desligue a serra e mantenha-a parada, até que a lâmina fique imobilizada. Nunca tente retirar a lâmina de serra da peça a cortar ou retroceder com a serra enquanto a mesma está em movimento; caso contrário, pode ocorrer um coice.
- ▶ Se pretender fazer arrancar uma serra dentro do material, centre a lâmina na ranhura de corte e verifique se os dentes não estão encravados na peça a cortar.
- ▶ Tenha particular atenção ao cortar em paredes existentes ou noutras áreas não inspecionáveis. Durante a imersão, a lâmina de serra pode ficar bloqueada em objectos encobertos, causando um coice.

Segurança eléctrica

- ▶ Antes de iniciar os trabalhos, verifique o local de trabalho relativamente a cabos eléctricos encobertos, bem como tubos de gás e água. Partes metálicas externas da ferramenta podem causar um choque eléctrico se, inadvertidamente, danificarem uma linha eléctrica.



- ▶ Segure a ferramenta apenas pelas áreas isoladas dos punhos quando executar trabalhos onde o acessório pode encontrar cabos eléctricos encobertos. O contacto com um cabo sob tensão também pode colocar partes metálicas da ferramenta sob tensão e causar um choque eléctrico.

Utilização e manutenção de ferramentas eléctricas

- ▶ Não utilize lâminas de serra embotadas ou danificadas. Elas provocam uma maior fricção, prisão ou contragolpe da lâmina.
- ▶ Observe as instruções do fabricante para manuseamento e arrumação das lâminas de serra.
- ▶ O produto deve ser pressionado, com a base de suporte, contra a peça a trabalhar. Isto garante um funcionamento eficiente e seguro.
- ▶ Use roupa de protecção adequada contra limalha quente.

2.4 Normas de segurança adicionais

- ▶ Utilize o produto somente se estiver em perfeitas condições técnicas.
- ▶ Nunca efectue quaisquer manipulações ou modificações na ferramenta.
- ▶ Não utilize lâminas de serra embotadas ou danificadas. Elas provocam uma maior fricção, prisão ou contragolpe da lâmina.
- ▶ Antes de iniciar os trabalhos, verifique o local de trabalho relativamente a cabos eléctricos encobertos, bem como tubos de gás e água. Partes metálicas externas da ferramenta podem causar um choque eléctrico se, inadvertidamente, danificarem uma linha eléctrica.
- ▶ Fixe-a a um suporte estável. Nunca segure a peça a cortar com as mãos ou sobre as pernas.
- ▶ Ligue o produto apenas quando estiver na posição de trabalho.
- ▶ Durante o processo de trabalho, mantenha a ferramenta afastada do corpo.
- ▶ Trabalhe com força de pressão moderada e com velocidade de corte moderada, especialmente, no caso de diâmetros de tubo grandes. Evita-se, assim, um sobreaquecimento da ferramenta.
- ▶ Antes de iniciar o corte de tubos, certifique-se de que os tubos já não contêm líquidos. Se necessário, esvazie-os.
- ▶ Ao cortar tubos mantenha a ferramenta num plano superior à linha de corte.
 - ▶ A ferramenta não possui qualquer protecção contra a entrada de humidade. A fuga de líquidos pode causar um curto-circuito na ferramenta.
- ▶ Nunca utilize a serra de sabre para serrar materiais desconhecidos e mantenha a área circundante à linha de corte livre de obstáculos.
 - ▶ A lâmina de serra, se embater num objecto, poderá originar um contragolpe sobre a ferramenta.
- ▶ Também deve usar luvas de protecção durante a substituição de acessórios. Tocar no acessório pode causar ferimentos por corte e queimaduras.
- ▶ Quando não estiver a utilizar a ferramenta, antes da manutenção ou durante a troca de acessórios e durante o transporte é necessário remover a bateria.
- ▶ Active o bloqueio de transporte quando guardar ou transportar a ferramenta.
- ▶ Observe as instruções do fabricante para manuseamento e arrumação das lâminas de serra.
- ▶ O utilizador e restantes pessoas que se encontrem na proximidade da ferramenta devem usar óculos de protecção, capacete de segurança, protecção auricular, luvas de protecção e máscara de protecção respiratória.
- ▶ Utilize sempre uma lâmina de corte adequadamente comprida. Durante todo o curso, a lâmina de corte deve sobressair da peça a cortar.
- ▶ Faça pausas para relaxar os músculos e melhorar a circulação sanguínea nas mãos.
- ▶ Não olhe directamente para a luz de trabalho (LED) nem aponte a luz para o rosto de outras pessoas. Existe risco de encandeamento.
- ▶ Os estilhaços podem provocar ferimentos corporais, nomeadamente nos olhos. Use equipamento de protecção individual. Use sempre óculos de protecção e luvas de protecção.
- ▶ Ao realizar trabalhos de perfuração, vede a área que se encontra do lado oposto dos trabalhos.

2.5 Utilização e manutenção de baterias

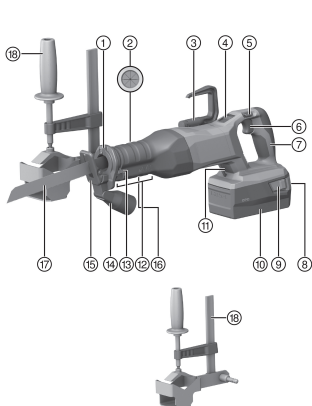
- ▶ Observe as regras específicas sobre transporte, armazenamento e utilização de baterias de iões de lítio.
- ▶ Mantenha as baterias afastadas de temperaturas elevadas, radiação solar directa e fogo.
- ▶ As baterias não devem ser desmanteladas, esmagadas, aquecidas acima dos 80 °C (176 °F) ou incineradas.



- ▶ Não utilize ou carregue quaisquer baterias que tenham sofrido golpes, tenham caído de altura superior a um metro ou tenham sido danificadas de outra forma. Neste caso, contacte sempre o seu **Centro de Assistência Técnica Hilti**.
- ▶ Se a bateria estiver demasiado quente ao toque, poderá estar com defeito. Coloque a bateria num local com boa visibilidade que não constitua risco de incêndio, suficientemente afastado de materiais inflamáveis. Deixe a bateria arrefecer. Se, passado uma hora, a bateria ainda estiver demasiado quente ao toque, então está com defeito. Contacte o **Centro de Assistência Técnica Hilti**.

3 Descrição

3.1 Vista geral do produto



- ① Mandril
- ② Alojamento para adaptador de corte
- ③ Gancho de andaime dobrável
- ④ Pré-selecção da velocidade
- ⑤ Bloqueio de transporte
- ⑥ Interruptor on/off
- ⑦ Punho traseiro
- ⑧ Indicação do estado de carga da bateria
- ⑨ Botão de destravamento da bateria
- ⑩ Bateria
- ⑪ Anel de segurança
- ⑫ Área dianteira do punho
- ⑬ Alavanca para o desbloqueio da lâmina de serra
- ⑭ Ligação da extracção (EUA: acessórios)
- ⑮ Base de suporte
- ⑯ Botão de destravamento da base de suporte
- ⑰ Lâmina de serra
- ⑱ Adaptador de corte (acessório)

3.2 Utilização conforme a finalidade projectada

O produto descrito é uma serra de sabre a bateria. Foi concebida para cortar madeira, derivados de madeira, metais e também plástico.

O produto foi concebido para uma utilização com ambas as mãos.

- ▶ Para este produto, utilize apenas as baterias de iões de lítio **Hilti** da série B 36.
- ▶ Para estas baterias, utilize apenas os carregadores **Hilti** da série C4/36.

3.3 Possível uso incorrecto

- ▶ Nunca corte tijolos, betão, betão poroso, pedra natural ou azulejos.
- ▶ Não utilize o produto para cortar tubos que ainda contenham líquidos.
- ▶ Não utilize a serra de sabre para serrar materiais desconhecidos.

3.4 Indicador da bateria de iões de lítio

O estado da carga da bateria de iões de lítio e as avarias da ferramenta são sinalizados através da indicação da bateria de iões de lítio. O estado de carga da bateria de iões de lítio é exibido depois de pressionado um dos dois botões de destravamento da bateria.

Estado	Significado
4 LEDs acendem.	Estado de carga: 75% a 100%
3 LEDs acendem.	Estado de carga: 50% a 75%
2 LEDs acendem.	Estado de carga: 25% a 50%
1 LED acende.	Estado de carga: 10% a 25%
1 LED pisca.	Estado de carga: < 10%



Estado	Significado
1 LED pisca, a ferramenta não está pronta a funcionar.	A bateria sobreaqueceu ou está totalmente descarregada.
4 LEDs piscam, a ferramenta não está pronta a funcionar.	A ferramenta está sobrecarregada ou sobreaquecida.



Com o interruptor on/off pressionado e até 5 segundos depois de o soltar, não é possível consultar o estado de carga.

Se os LED da indicação da bateria estiverem a piscar, leia as indicações no capítulo Ajuda em caso de avarias.

3.5 Incluído no fornecimento

Serra de sabre, Manual de instruções.

Poderá encontrar outros produtos de sistema aprovados para o seu produto na sua **Hilti Store** ou em: www.hilti.group

4 Características técnicas

	SR 30-A36
Tensão nominal	36 V
Peso	4,4 kg (9,7 lb)
Número de cursos (Posição 1)	2 000 rpm
Número de cursos (Posição 2)	2 800 rpm
Comprimento do curso	32 mm (1,3 in)
Mandril	0,5 in
Temperatura ambiente durante o funcionamento	-17 °C ... 60 °C (1 °F ... 140 °F)
Temperatura de armazenagem	-20 °C ... 70 °C (-4 °F ... 158 °F)

4.1 Bateria

Tensão de serviço da bateria	36 V
Temperatura ambiente durante o funcionamento	-17 °C ... 60 °C (1 °F ... 140 °F)
Temperatura de armazenagem	-20 °C ... 40 °C (-4 °F ... 104 °F)
Temperatura da bateria no início do carregamento	-10 °C ... 45 °C (14 °F ... 113 °F)

5 Preparação do local de trabalho



AVISO

Risco de ferimentos devido a arranque involuntário!

- ▶ Antes de encaixar a bateria, certifique-se de que o produto correspondente está desligado.
- ▶ Remova a bateria, antes de efectuar ajustes na ferramenta ou substituir acessórios.

Tenha em atenção as instruções de segurança e as advertências nesta documentação e no produto.

5.1 Carregar a bateria

1. Antes de carregar, leia o manual de instruções do carregador.



2. Certifique-se de que os contactos da bateria e do carregador estão limpos e secos.
3. Carregue a bateria num carregador aprovado. → Página 40

5.2 Colocar a bateria



AVISO

Risco de ferimentos devido a curto-circuito ou queda da bateria!

- ▶ Antes de encaixar a bateria, certifique-se de que os contactos da bateria e os contactos no produto estão livres de corpos estranhos.
 - ▶ Certifique-se de que a bateria engata sempre correctamente.
1. A bateria deve ser completamente carregada antes da primeira utilização.
 2. Introduza a bateria no produto até engatar de forma audível.
 3. Verifique se a bateria está correctamente encaixada.

5.3 Retirar a bateria

1. Pressione os botões de destravamento da bateria.
2. Puxe a bateria para fora da ferramenta.

5.4 Montar gancho de andaime (acessório)

1. Active o bloqueio de transporte.
2. Coloque o gancho de andaime.

5.5 Colocar a lâmina de serra

Utilize apenas lâminas com encabadouro de 1/2".

1. Active o bloqueio de transporte ou retire a bateria da ferramenta.
2. Verifique se o encabadouro do acessório está limpo e ligeiramente lubrificado. Caso necessário, limpe e lubrifique o encabadouro.
3. Empurre a alavanca de bloqueio para cima até ao batente e mantenha-a nessa posição.
4. Introduza a lâmina no porta-ferramentas.
5. Deixe que a alavanca de bloqueio volte para a posição inicial.
6. Verifique se a lâmina está encaixada, puxando-a.

5.6 Montar ligação da extracção (EUA: acessórios)

1. Puxe a base de suporte para fora.
2. Coloque a ligação da extracção no alojamento da base de suporte.
3. Introduza-a completamente na guia a base de suporte levemente lubrificada.

6 Utilização

Tenha em atenção as instruções de segurança e as advertências nesta documentação e no produto.

6.1 Conduzir a serra

1. Segure a serra pelos punhos previstos para o efeito.
2. Conduza a serra até à peça a trabalhar.
3. Conduza a serra para a frente e para trás.
 - ▶ Se pressionar a serra contra a peça a trabalhar, a lâmina da serra pode partir e dar origem a ferimentos.



6.2 Serrar 6

AVISO

Perigo de ferimento devido a gancho de andaime defeituoso! Uma ferramenta em queda pode causar acidentes.

▶ Antes de iniciar os trabalhos, verifique se o gancho de andaime está realmente fixo e não está danificado.

1. Desactive o bloqueio do interruptor e pressione o interruptor on/off.
 - ▶ Na imagem encontrará diferentes possibilidades para conduzir a serra de forma eficaz.
2. Quando tiver terminado de serrar solte o interruptor on/off.
3. Active o bloqueio de transporte.

6.3 Retirar a lâmina de serra 7

CUIDADO

Risco de ferimentos! O acessório pode estar quente e/ou com arestas vivas.

- ▶ Use luvas de protecção ao mudar o acessório.
 - ▶ Nunca pouse acessórios quentes sobre bases inflamáveis.
1. Active o bloqueio de transporte ou retire a bateria da ferramenta.
 2. Empurre a alavanca de bloqueio para cima até ao batente e mantenha-a nessa posição.
 3. Retire a lâmina do porta-ferramentas, puxando-a para a frente.
 4. Deixe que a alavanca de bloqueio volte para a posição inicial.

7 Conservação e manutenção

AVISO

Risco de lesão com a bateria encaixada !

▶ Retire sempre a bateria antes de todos os trabalhos de conservação e manutenção!

Conservação do aparelho

- Remover a sujidade persistente com cuidado.
- Limpe as saídas de ar cuidadosamente com uma escova seca.
- Limpar a carcaça apenas com um pano ligeiramente humedecido. Não utilizar produtos de conservação que contenham silicone, uma vez que estes poderiam danificar os componentes de plástico.
- Limpar e lubrificar regularmente, por fora, o porta-ferramentas. Utilize para o efeito o spray Hilti 314648.

Conservação das baterias de iões de lítio

- Manter a bateria limpa e isenta de óleo e gordura.
- Limpar a carcaça apenas com um pano ligeiramente humedecido. Não utilizar produtos de conservação que contenham silicone, uma vez que estes poderiam danificar os componentes de plástico.
- Evitar a entrada de humidade.

Manutenção

- Verificar, regularmente, todos os componentes visíveis quanto a danos e os comandos operativos quanto a funcionamento perfeito.
- Em caso de danos e/ou perturbações de funcionamento, não operar o produto. Mandar reparar de imediato pelo Centro de Assistência Técnica Hilti.
- Após os trabalhos de conservação e manutenção, aplicar todos os dispositivos de protecção e verificar o respectivo funcionamento.



Para um funcionamento seguro, utilize apenas peças sobresselentes e consumíveis originais. Poderá encontrar peças sobresselentes, consumíveis e acessórios aprovados por nós para o seu produto no seu **Hilti Store** ou em: **www.hilti.group**.

7.1 Substituição da base de suporte 8



Em caso de necessidade, a base de suporte pode ser substituída.



1. Retire a bateria.
2. Retire a lâmina de serra. → Página 43
3. Pressione o botão de destravamento vermelho para a base de suporte no lado de baixo da serra de sabre.
4. Puxe a base de suporte para fora.
5. Pressione o botão de destravamento vermelho para a base de suporte no lado de baixo da serra de sabre.
6. Introduza-a completamente na guia a base de suporte levemente lubrificada.
7. Verifique se a base de suporte está encaixada.

8 Transporte e armazenamento de ferramentas a bateria e baterias

Transporte

CUIDADO

Arranque inadvertido durante o transporte !

- ▶ Transporte os seus produtos sempre sem as baterias colocadas!
- ▶ Retire a/as bateria(s).
- ▶ Nunca transporte as baterias sem embalagem. Durante o transporte, as baterias devem ser protegidas contra impactos e vibrações excessivos e isoladas de quaisquer materiais condutores ou outras baterias, para que não entrem em contacto com os pólos de outras baterias e causem um curto-circuito. **Observe as suas normas de transporte locais para baterias.**
- ▶ As baterias não devem ser enviadas por correio. Quando pretender enviar baterias não danificadas, contacte uma empresa transportadora.
- ▶ Verifique o produto e as baterias quanto a danos antes de cada utilização, bem como antes e depois de longos períodos de transporte.

Armazenamento

AVISO

Dano acidental devido a baterias com defeito ou a perderem líquido !

- ▶ Armazene os seus produtos sempre sem as baterias colocadas!
- ▶ Guarde o produto e as baterias em lugar fresco e seco. Tenha em atenção os valores limite de temperatura, que estão indicados nas Características técnicas.
- ▶ Não guarde as baterias no carregador. Após o processo de carregamento, retire sempre a bateria do carregador.
- ▶ Nunca armazene as baterias em locais sujeitos a exposição solar, em cima de fontes de calor ou por trás de um vidro.
- ▶ Guarde o produto e as baterias fora do alcance das crianças e das pessoas não autorizadas.
- ▶ Verifique o produto e as baterias quanto a danos antes de cada utilização, bem como antes e depois de longos períodos de armazenamento.

9 Ajuda em caso de avarias

No caso de avarias que não sejam mencionadas nesta tabela ou se não conseguir resolvê-las por si mesmo, contacte o nosso Centro de Assistência Técnica **Hilti**.

9.1 A serra de sabre não está pronta a funcionar

Avaria	Causa possível	Solução
A ferramenta não arranca.	A bateria não está completamente encaixada.	▶ Encaixe a bateria com clique.
	Bateria descarregada.	▶ Carregue a bateria.
	Bloqueio de transporte não accionado.	▶ Accione o bloqueio de transporte.
É impossível remover a lâmina de serra do porta-ferramentas.	Alavanca de bloqueio não se encontra pressionada até ao batente.	▶ Pressione a alavanca de bloqueio até ao batente e retire a lâmina para fora.



Avaria	Causa possível	Solução
É impossível remover a lâmina de serra do porta-ferramentas.	Porta-ferramentas obstruído com resíduos de serrar.	► Remova os resíduos de serrar e limpe regularmente, por fora, o porta-ferramentas. Conservação da ferramenta. → Página 43

9.2 A serra de sabre está pronta a funcionar

Avaria	Causa possível	Solução
Frac performance da ferramenta.	O interruptor on/off não foi completamente pressionado.	► Pressione completamente o interruptor on/off.
	Descarregar bateria	► Substitua a bateria e carregue a bateria descarregada.
É impossível remover a lâmina de serra do porta-ferramentas.	Alavanca de bloqueio não se encontra pressionada até ao batente.	► Pressione a alavanca de bloqueio até ao batente e retire a lâmina para fora.

10 Reciclagem



AVISO

Perigo de ferimentos devido a eliminação incorrecta! Riscos para a saúde devido à fuga de gases ou líquidos.

- Não envie quaisquer baterias danificadas!
- Para evitar curto-circuitos, cubra as conexões com um material não condutor.
- Elimine as baterias de modo a mantê-las longe do alcance das crianças.
- Efectue a reciclagem da bateria na sua **Hilti Store** ou entre em contacto com a empresa de recolha de lixo responsável.

Os produtos **Hilti** são, em grande parte, fabricados com materiais recicláveis. Um pré-requisito para a reciclagem é que esses materiais sejam devidamente separados. Em muitos países, a **Hilti** aceita o seu aparelho usado para reaproveitamento. Para mais informações, dirija-se ao Serviço de Clientes **Hilti** ou ao seu vendedor.



- Não deite as ferramentas eléctricas, aparelhos electrónicos e baterias no lixo doméstico!

11 Garantia do fabricante

- Em caso de dúvidas quanto às condições de garantia, contacte o seu parceiro **Hilti** local.





This Product is Certified
Ce produit est homologué
Producto homologado por
Este producto está registrado





Hilti Corporation
LI-9494 Schaan
Tel.:+423 234 21 11
Fax:+423 234 29 65
www.hilti.com



2186518