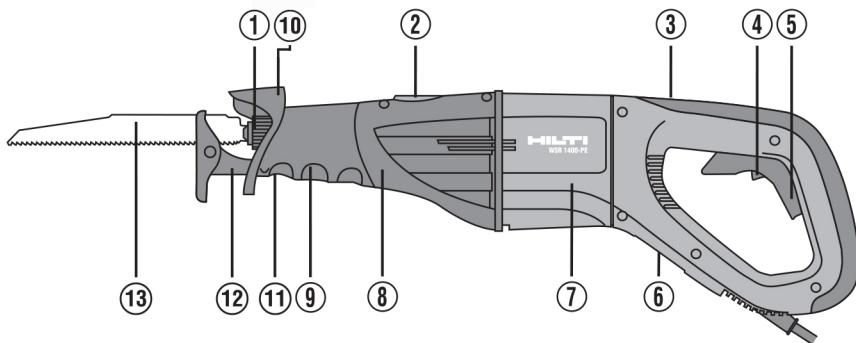
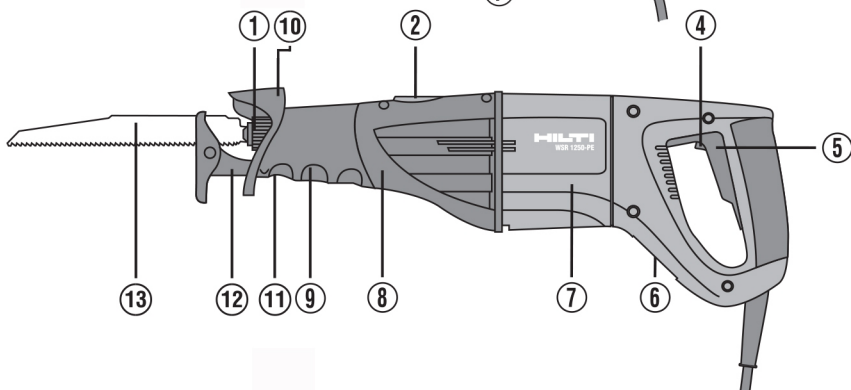
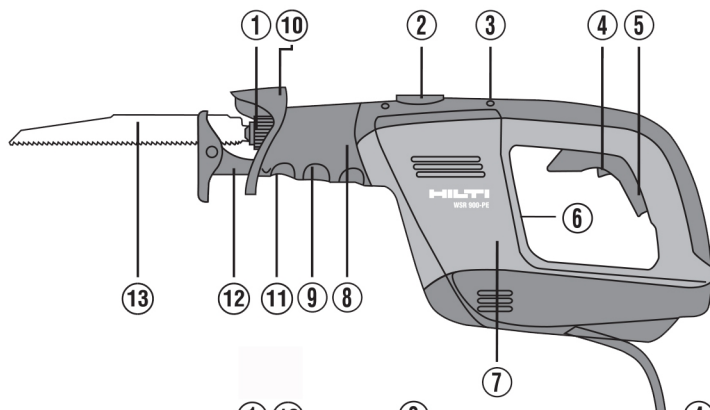
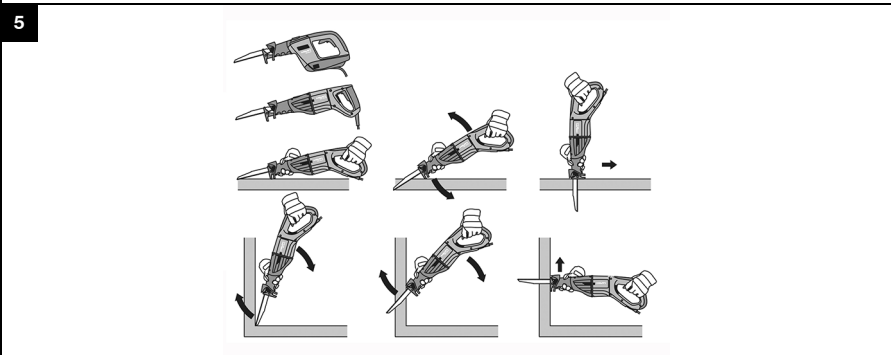
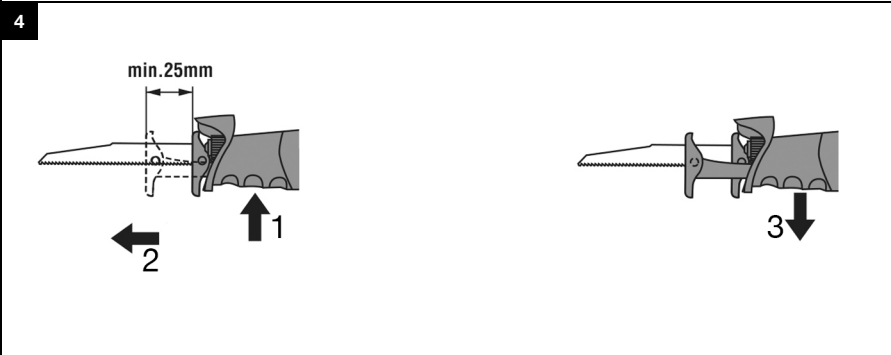
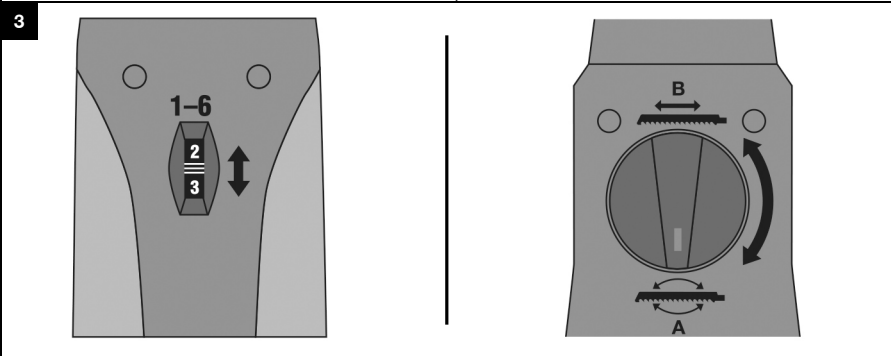
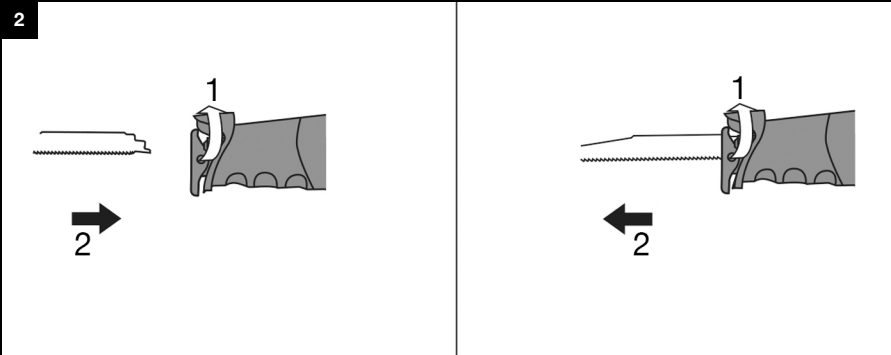




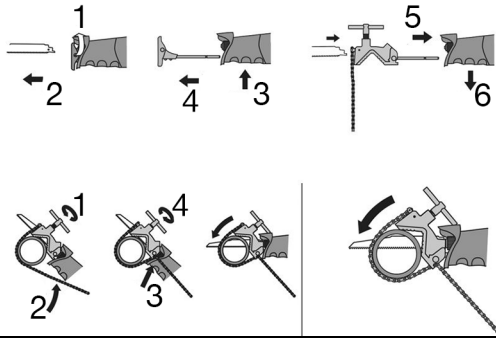
WSR 900-PE
WSR 1250-PE
WSR 1400-PE

English	1
Français	9
Español	19
Português	29

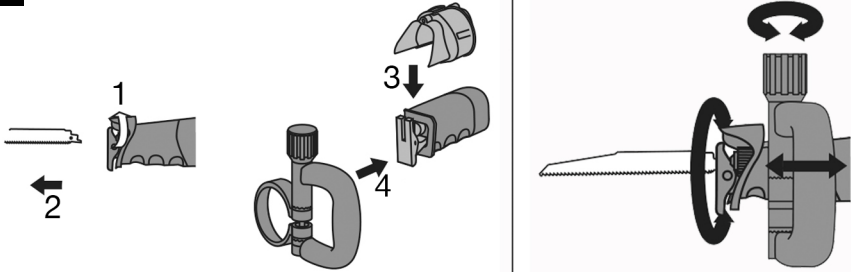




6



7



WSR 900-PE

WSR 1250-PE

WSR 1400-PE

en	Original operating instructions	1
fr	Notice d'utilisation originale	9
es	Manual de instrucciones original	19
pt	Manual de instruções original	29

Original operating instructions

1 Information about the documentation

1.1 About this documentation

- Read this documentation before initial operation or use. This is a prerequisite for safe, trouble-free handling and use of the product.
- Observe the safety instructions and warnings in this documentation and on the product.
- Always keep the operating instructions with the product and make sure that the operating instructions are with the product when it is given to other persons.

1.2 Explanation of symbols used

1.2.1 Warnings

Warnings alert persons to hazards that occur when handling or using the product. The following signal words are used:

DANGER

DANGER !

- ▶ Draws attention to imminent danger that will lead to serious personal injury or fatality.

WARNING

WARNING !

- ▶ Draws attention to a potential threat of danger that can lead to serious injury or fatality.

CAUTION

CAUTION !

- ▶ Draws attention to a potentially dangerous situation that could lead to personal injury or damage to the equipment or other property.

1.2.2 Symbols in the documentation

The following symbols are used in this document:

	Read the operating instructions before use.
	Instructions for use and other useful information
	Dealing with recyclable materials
	Do not dispose of electric equipment and batteries as household waste

1.2.3 Symbols in the illustrations

The following symbols are used in illustrations:

	These numbers refer to the corresponding illustrations found at the beginning of these operating instructions
	The numbering reflects the sequence of operations shown in the illustrations and may deviate from the steps described in the text
	Item reference numbers are used in the overview illustrations and refer to the numbers used in the product overview section
	This symbol is intended to draw special attention to certain points when handling the product.



1.3 Product-dependent symbols

1.3.1 Symbols on the product

The following symbols are used on the product:

RPM	Strokes per minute
n_0	Stroke rate
	Alternating current
	Double insulated
Hz	Hertz
V	Volts
A	Amps
	Locked
	Unlocked

1.4 Product information

products are designed for professional users and only trained, authorized personnel are permitted to operate, service and maintain the products. This personnel must be specifically informed about the possible hazards. The product and its ancillary equipment can present hazards if used incorrectly by untrained personnel or if used not in accordance with the intended use.

The type designation and serial number are printed on the rating plate.

- ▶ Write down the serial number in the table below. You will be required to state the product details when contacting Hilti Service or your local Hilti organization to inquire about the product.

Product information

Reciprocating saw	WSR 900-PE, WSR 1250-PE, WSR 1400-PE
Generation:	01
Serial no.:	

1.5 Declaration of conformity

We declare, on our sole responsibility, that the product described here complies with the applicable directives and standards. A copy of the declaration issued by the certification department can be found at the end of this documentation.

The technical documentation is filed here:

Hilti Entwicklungsgesellschaft mbH | Tool Certification | Hiltistrasse 6 | 86916 Kaufering, Germany

2 Safety

2.1 General power tool safety warnings

⚠ WARNING Read all safety warnings, instructions, illustrations and specifications provided with this power tool. Failure to follow all instructions listed below may result in electric shock, fire and/or serious injury. **Save all warnings and instructions for future reference.**

The term "power tool" in the warnings refers to your mains-operated (corded) power tool or battery-operated (cordless) power tool.

Work area safety

- ▶ **Keep work area clean and well lit.** Cluttered or dark areas invite accidents.
- ▶ **Do not operate power tools in explosive atmospheres, such as in the presence of flammable liquids, gases or dust.** Power tools create sparks which may ignite the dust or fumes.



- ▶ **Keep children and bystanders away while operating a power tool.** Distractions can cause you to lose control.

Electrical safety

- ▶ **Power tool plugs must match the outlet. Never modify the plug in any way. Do not use any adapter plugs with earthed (grounded) power tools.** Unmodified plugs and matching outlets will reduce risk of electric shock.
- ▶ **Avoid body contact with earthed or grounded surfaces, such as pipes, radiators, ranges and refrigerators.** There is an increased risk of electric shock if your body is earthed or grounded.
- ▶ **Do not expose power tools to rain or wet conditions.** Water entering a power tool will increase the risk of electric shock.
- ▶ **Do not abuse the cord. Never use the cord for carrying, pulling or unplugging the power tool. Keep cord away from heat, oil, sharp edges or moving parts.** Damaged or entangled cords increase the risk of electric shock.
- ▶ **When operating a power tool outdoors, use an extension cord suitable for outdoor use.** Use of a cord suitable for outdoor use reduces the risk of electric shock.
- ▶ **If operating a power tool in a damp location is unavoidable, use a residual current device (RCD) protected supply.** Use of an RCD reduces the risk of electric shock.

Personal safety

- ▶ **Stay alert, watch what you are doing and use common sense when operating a power tool. Do not use a power tool while you are tired or under the influence of drugs, alcohol or medication.** A moment of inattention while operating power tools may result in serious personal injury.
- ▶ **Use personal protective equipment. Always wear eye protection.** Protective equipment such as a dust mask, non-skid safety shoes, hard hat or hearing protection used for appropriate conditions will reduce personal injuries.
- ▶ **Prevent unintentional starting. Ensure the switch is in the off-position before connecting to power source and/or battery pack, picking up or carrying the tool.** Carrying power tools with your finger on the switch or energising power tools that have the switch on invites accidents.
- ▶ **Remove any adjusting key or wrench before turning the power tool on.** A wrench or a key left attached to a rotating part of the power tool may result in personal injury.
- ▶ **Do not overreach. Keep proper footing and balance at all times.** This enables better control of the power tool in unexpected situations.
- ▶ **Dress properly. Do not wear loose clothing or jewellery. Keep your hair and clothing away from moving parts.** Loose clothes, jewellery or long hair can be caught in moving parts.
- ▶ **If devices are provided for the connection of dust extraction and collection facilities, ensure these are connected and properly used.** Use of dust collection can reduce dust-related hazards.
- ▶ **Do not let familiarity gained from frequent use of tools allow you to become complacent and ignore tool safety principles.** A careless action can cause severe injury within a fraction of a second.

Power tool use and care

- ▶ **Do not force the power tool. Use the correct power tool for your application.** The correct power tool will do the job better and safer at the rate for which it was designed.
- ▶ **Do not use the power tool if the switch does not turn it on and off.** Any power tool that cannot be controlled with the switch is dangerous and must be repaired.
- ▶ **Disconnect the plug from the power source and/or remove the battery pack, if detachable, from the power tool before making any adjustments, changing accessories, or storing power tools.** Such preventive safety measures reduce the risk of starting the power tool accidentally.
- ▶ **Store idle power tools out of the reach of children and do not allow persons unfamiliar with the power tool or these instructions to operate the power tool.** Power tools are dangerous in the hands of untrained users.
- ▶ **Maintain power tools and accessories. Check for misalignment or binding of moving parts, breakage of parts and any other condition that may affect the power tool's operation. If damaged, have the power tool repaired before use.** Many accidents are caused by poorly maintained power tools.
- ▶ **Keep cutting tools sharp and clean.** Properly maintained cutting tools with sharp cutting edges are less likely to bind and are easier to control.
- ▶ **Use the power tool, accessories and tool bits etc. in accordance with these instructions, taking into account the working conditions and the work to be performed.** Use of the power tool for operations different from those intended could result in a hazardous situation.
- ▶ **Keep handles and grasping surfaces dry, clean and free from oil and grease.** Slippery handles and grasping surfaces do not allow for safe handling and control of the tool in unexpected situations.



Service

- ▶ **Have your power tool serviced by a qualified repair person using only identical replacement parts.** This will ensure that the safety of the power tool is maintained.

2.2 Safety instructions for reciprocating saws

- ▶ **Hold the power tool by insulated gripping surfaces, when performing an operation where the cutting accessory may contact hidden wiring or its own cord.** Cutting accessory contacting a "live" wire may make exposed metal parts of the power tool "live" and could give the operator an electric shock.
- ▶ **Use clamps or another practical way to secure and support the workpiece to a stable platform.** Holding the workpiece by hand or against your body leaves it unstable and may lead to loss of control.

2.3 Additional safety instructions for saws**Personal safety**

- ▶ Keep your hands away from the cutting area and the blade. Keep your second hand on the auxiliary handle or the motor housing. When both hands are on the saw they cannot be injured by it.
- ▶ Use the product only when it is in perfect working order.
- ▶ Never tamper with or modify the power tool in any way.
- ▶ Do not touch rotating parts – risk of injury!
- ▶ Wear protective gloves also when changing the accessory tool. Touching the accessory tool presents a risk of injury (cuts or burns).
- ▶ Before starting work, check the hazard class of the dust that will be produced when working. Use an industrial vacuum cleaner with an officially approved protection class in compliance with the locally applicable dust protection regulations. Dust from materials such as lead-based paint, certain types of wood and concrete/masonry/stone containing quartz, minerals or metal can be harmful to health.
- ▶ Make sure that the workplace is well ventilated and, if necessary, wear a respirator appropriate for the type of dust generated. Contact with or inhalation of the dust can cause allergic reactions and/or respiratory or other diseases among operators or bystanders. Only specialists are permitted to handle material containing asbestos.
- ▶ Do not reach underneath the workpiece.
- ▶ Always hold the product firmly with both hands on the grips provided for the purpose and position your arms to absorb kickback forces.
- ▶ Keep the grips clean and dry.
- ▶ Position yourself off to one side of the blade, never bring the blade into line with your body. The saw can jump backward toward you if kickback occurs.
- ▶ If the saw blade binds or when you interrupt work for any reason, switch off the saw and hold it motionless in the material until the saw blade comes to a complete stop. Never attempt to remove the saw from the workpiece or pull the saw back while the blade is in motion, as otherwise the saw could kick back.
- ▶ When restarting a saw in the workpiece, center the saw blade in the kerf and check that saw teeth are not in engagement with the workpiece.
- ▶ Use extra caution when sawing into walls or other blind areas. As it enters the material the blade might encounter a hidden obstruction, resulting in kickback.

Electrical safety

- ▶ Before beginning work, check the working area for concealed electric cables or gas and water pipes. External metal parts of the power tool can become live, presenting a risk of electric shock, if you accidentally damage an electric cable.
- ▶ Hold the power tool by the insulated gripping surfaces when performing work in which the accessory tool might come into contact with concealed wiring. If the accessory tool comes into contact with a live wire, metal parts of the power tool can also become live, resulting in an electric shock.

2.4 Additional safety instructions

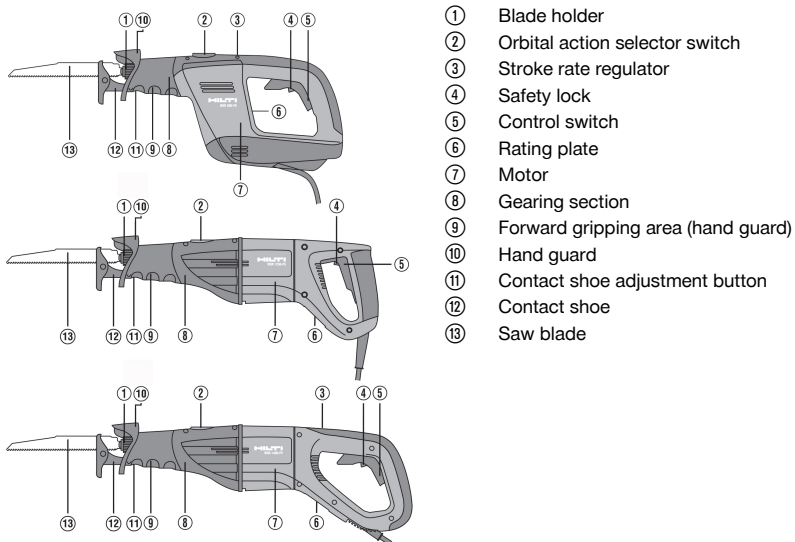
- ▶ Use the product only when it is in perfect working order.
- ▶ Never tamper with or modify the product in any way.
- ▶ Do not use dull or damaged blades. These cause increased friction and present a high risk of the saw blade binding or kicking back.
- ▶ Before beginning work, check the working area for concealed electric cables or gas and water pipes. External metal parts of the product could give you an electric shock if you accidentally damage an electric cable.



- ▶ Secure the workpiece in a sturdy holder. Never hold the workpiece with your hand or across your leg.
- ▶ Switch the product on only after bringing it to the working position.
- ▶ When working with the product, always guide it away from your body.
- ▶ Apply only moderate pressure and cut at an appropriate speed, especially when cutting large-diameter pipes. This will help to prevent the product overheating.
- ▶ Before cutting through pipes, make sure that they are empty of medium. Drain the pipes if necessary.
- ▶ When cutting through pipes, hold the product above the level of the pipe you are cutting through. The product is not protected against ingress of moisture. Liquid running out of a pipe can cause a short circuit in the product.
- ▶ Never cut into unknown materials and make sure the path of the saw is free of obstructions above and below the workpiece. The product can kick back if the saw blade comes into contact with an obstructing object.
- ▶ Wear protective gloves also when changing the accessory tool. Touching the accessory tool presents a risk of injury (cuts or burns).
- ▶ Comply with the manufacturer's instructions for handling and storing saw blades.
- ▶ The user and persons in the vicinity must wear suitable protective goggles, a hard hat, ear defenders, protective gloves and light respiratory protection while the product is in use.
- ▶ Never use the product without the hand guard correctly installed. Do not use the cover over the blade holder / chuck as a gripping area. The blade holder /chuck presents a risk of injury.
- ▶ The product must be pressed against the workpiece until the contact shoe makes firm contact. This ensures optimum and safe progress as you work.
- ▶ Always use saw blades that project at least 40 mm beyond the workpiece over the entire length of the blade stroke. This can help to avoid violent kickback.

3 Description

3.1 Overview of the product



3.2 Intended use

The product described is a reciprocating saw. It is designed for cutting wood, wood-like materials, metals and plastics.

The product is designed for two-handed operation.



3.3 Possible misuse

Do not use the power tool to cut into bricks, concrete, cellular concrete, natural stone or roof tiles.
Do not use the power tool to cut fluid-retaining pipes.

3.4 Items supplied

Reciprocating saw, saw blade, operating instructions.



To help ensure safe and reliable operation, use only genuine Hilti spare parts and consumables. Spare parts, consumables and accessories approved by Hilti for use with the product can be found at your local **Hilti Center** or online at: **www.hilti.com**

4 Technical data

4.1 Reciprocating saw



For rated voltage, frequency, current and input power, please refer to the country-specific type identification plate.

If the device is powered by a generator or transformer, the generator or transformer's power output must be at least twice the rated input power shown on the rating plate of the device. The operating voltage of the transformer or generator must always be within +5 % and -15 % of the rated voltage of the device.

	WSR 900-PE	WSR 1250-PE	WSR 1400-PE
Weight	7.9 lb (3.6 kg)	9.9 lb (4.5 kg)	10.6 lb (4.8 kg)
Stroke rate	0 /min ... 2,700 /min	0 /min ... 2,700 /min	0 /min ... 2,700 /min
Stroke length	1.3 in (32 mm)	1.3 in (32 mm)	1.3 in (32 mm)

5 Operation

5.1 Inserting the saw blade



Use only saw blades with a 1/2" connection end.

1. Check that the connection end of the accessory tool is clean and lightly greased.
 - ▶ Clean and grease the connection end, if necessary.
2. Turn the blade locking sleeve counterclockwise and hold it in this position.
3. Push the saw blade into the blade holder from the front end of the tool.
4. Release the locking sleeve and allow it to move back to its original position.
 - ▶ The locking sleeve engages with an audible click.
5. Grip and pull the saw blade to check that it is locked in position.

5.2 Removing the saw blade

1. Turn the blade locking sleeve clockwise and hold it in this position.
2. Pull the blade forward out of the blade holder.
3. Release the locking sleeve and allow it to move back to its original position.

5.3 Adjusting the contact shoe



When the contact shoe is adjusted correctly the length of the blade can be used optimally and access in corners is improved. The contact shoe engages in click-stop increments of 6 mm (15/16").

Do not adjust the contact shoe while the power tool is in operation.



1. Disconnect the supply cord plug from the power outlet.
2. Remove the saw blade. → page 6
3. Press and hold down the contact shoe lock.
4. Slide the contact shoe to the desired position.
5. Release the contact shoe lock.
6. Grip and pull the contact shoe to check that it is locked in position.

5.4 Installing the side handle

1. Disconnect the supply cord plug from the power outlet.
2. Remove the saw blade. → page 6
3. From above, mount the adapter on the front grip.
4. Slip the side handle over the blade holder and onto the adapter.
5. Secure the side handle with the securing screw.

5.5 Positioning the side handle

1. Disconnect the supply cord plug from the power outlet.
2. Slacken the securing screw in the side handle.
3. Move the side handle to the desired position.
4. Secure the side handle with the securing screw.

5.6 Switching on and off

WARNING

Risk of injury due to saw run-on !

- ▶ Do not lift the product away from the workpiece until it has stopped completely.
- ▶ Wait until the product stops completely before you lay it down.

1. To switch the reciprocating saw on, press the transport lock and press the control switch.
2. To switch the reciprocating saw off, release the control switch.

5.7 Switching the orbital-action function on and off



The orbital-action function can increase cutting performance in certain materials such as wood-based products, for example.

Allow the product to come to a complete stop before you engage or disengage the orbital-action function.

- ▶ Switch the orbital-action function on or off by setting the orbital-action switch to the appropriate limit position.

5.8 Inserting the pipe-cutting adapter

1. Disconnect the supply cord plug from the power outlet.
2. Remove the saw blade. → page 6
3. Remove the contact shoe by pressing and holding down the lock and working the contact shoe forward until it disengages.
4. Push the pipe-cutting adapter into the guide and install the saw blade.
5. Grip and pull the pipe-cutting adapter to check that it is locked in position.
6. Release the screw clamp on the pipe-cutting adapter fully.
7. Loop the chain around the pipe and hook the chain back onto the pipe-cutting adapter.



The clamping screw should be at an angle of 45° to the saw.



5.9 Adjusting the stroke rate

Please refer to the application table for the recommended stroke rate settings.

1. Set the stroke rate to a setting between 1 (low) and 6 (high) by turning the stroke rate regulator.
2. Press the control switch.
 - ▶ The power tool will then run at the preselected stroke rate.

5.9.1 Stroke rate setting

Material to be cut	Suggested stroke rate settings
Wood	5-6
Wood containing nails	5-6
Interior finishing, drywall	3-4
Plastic	3-4
Steel	2-3
Non-ferrous metals	2-3
Aluminum	2-3
Stainless steel	1

5.10 Plunge cutting

WARNING

Risk of injury! Risk of kickback.

- ▶ Apply the appropriate safety measures at the rear of the workpiece when plunge sawing. Use only suitable saw blades (length as short as possible).

Use the plunge cutting technique only on soft materials and with short saw blades. The product can be used in one of two plunge cutting positions: in the normal position or in the reversed position.

1. Bring the forward edge of the AVR contact shoe into contact with the workpiece.
2. Disengage the transport lock.
3. Press the control switch.
4. Press the forward edge of the contact shoe against the workpiece and begin the plunge action by slowly increasing the angle of attack.

To prevent stalling, it is important that the product is running before the saw blade is brought into contact with the surface.

5. Once the saw blade has penetrated right through the material, bring the tool into the normal working position (contact shoe flush with the workpiece) and then continue sawing along the cutting line.

6 Care and maintenance

6.1 Care of the product

- ▶ Keep the product, especially its grip surfaces, clean and free from oil and grease. Do not use cleaning agents which contain silicone.
- ▶ Never operate the product with the air vents blocked! Clean the air vents carefully using a dry brush. Do not permit foreign matter to penetrate inside the product.
- ▶ Clean the outside of the product at regular intervals with a slightly damp cloth. Do not use a sprayer, steam pressure cleaning equipment or running water for cleaning!
- ▶ Always keep the connection end of the accessory tool clean and lightly greased.
- ▶ After care and maintenance work, check that all protective and safety devices are fitted and in full working order.
- ▶ If service or repair is required, contact your sales adviser or refer to our contact details at www.hilti.com.



7 Troubleshooting

If the trouble you are experiencing is not listed in this table or you are unable to remedy the problem by yourself, please contact **Hilti Service**.

7.1 Troubleshooting

Trouble or fault	Possible cause	Action to be taken
The tool will not start.	Interruption in the electric supply	▶ Plug in another power tool or appliance and check whether it works.
	The supply cord or plug is defective.	▶ Have the tool repaired only by a Hilti Service Center .
	The control switch is defective.	▶ Have the tool repaired only by a Hilti Service Center .
The power tool does not achieve full power.	The extension cord is too long and/or its gauge is inadequate.	▶ Use only extension cords of a type approved for the application and with conductors of adequate gauge.
	The control switch is not fully pressed.	▶ Press the control switch fully.
The saw blade cannot be removed from the chuck.	The locking sleeve is not turned as far as it will go.	▶ Turn the locking sleeve as far as it will go and remove the saw blade.
Orbital-action function does not react	Orbital-action switch is not in the position for orbital action.	▶ Move the orbital-action switch to the position for orbital action. Orbital action is perceptible only when the saw is cutting.
Contact shoe or pipe-cutting adapter cannot be removed	Prevented by saw blade.	▶ Remove the saw blade and then remove the contact shoe.
	Pushbutton not pressed in all the way.	▶ Press the pushbutton all the way in and remove the saw blade.

8 Disposal

Most of the materials from which **Hilti** tools and appliances are manufactured can be recycled. The materials must be correctly separated before they can be recycled. In many countries, your old tools, machines or appliances can be returned to **Hilti** for recycling. Ask **Hilti Service** or your Hilti representative for further information.



- ▶ Do not dispose of power tools, electronic equipment or batteries as household waste!

9 Manufacturer's warranty

- ▶ Please contact your local **Hilti** representative if you have questions about the warranty conditions.

Notice d'utilisation originale

1 Indications relatives à la documentation

1.1 À propos de cette documentation

- Lire intégralement la présente documentation avant la mise en service. C'est la condition préalablement requise pour assurer la sécurité du travail et un maniement sans perturbations.
- Bien respecter les consignes de sécurité et les avertissements de la présente documentation ainsi que celles figurant sur le produit.



- Toujours conserver le mode d'emploi à proximité du produit et uniquement le transmettre à des tiers avec ce mode d'emploi.

1.2 Explication des symboles

1.2.1 Avertissements

Les avertissements attirent l'attention sur des dangers liés à l'utilisation du produit. Les termes de signalisation suivants sont utilisés :



DANGER !

- Pour un danger imminent qui peut entraîner de graves blessures corporelles ou la mort.



AVERTISSEMENT !

- Pour un danger potentiel qui peut entraîner de graves blessures corporelles ou la mort.



ATTENTION !

- Pour une situation potentiellement dangereuse pouvant entraîner des blessures corporelles ou des dégâts matériels.

1.2.2 Symboles dans la documentation

Les symboles suivants sont utilisés dans la présente documentation :

	Lire le mode d'emploi avant d'utiliser l'appareil
	Pour des conseils d'utilisation et autres informations utiles
	Maniement des matériaux recyclables
	Ne pas jeter les appareils électriques et les accus dans les ordures ménagères

1.2.3 Symboles dans les illustrations

Les symboles suivants sont utilisés dans les illustrations :

	Ces chiffres renvoient à l'illustration correspondante au début du présent mode d'emploi
	La numérotation détermine la séquence des étapes de travail dans l'image et peut se différencier de celles des étapes de travail dans le texte
	Les numéros de position sont utilisés dans l'illustration Vue d'ensemble et renvoient aux numéros des légendes dans la section Vue d'ensemble du produit
	Ce signe doit inviter à manier le produit en faisant particulièrement attention.

1.3 Symboles spécifiques au produit

1.3.1 Symboles sur le produit

Les symboles suivants sont utilisés sur le produit :

	Cadence par minute
	Cadence de coupe
	Courant alternatif
	Double isolation



Hz	Hertz
V	Volt
A	Ampère
	Verrouillé
	Déverrouillé

1.4 Informations produit

Les produits sont destinés aux professionnels et ne doivent être utilisés, entretenus et réparés que par un personnel autorisé et formé. Ce personnel doit être spécialement instruit quant aux dangers inhérents à l'utilisation de l'appareil. Le produit et ses accessoires peuvent s'avérer dangereux s'ils sont utilisés de manière incorrecte par un personnel non qualifié ou de manière non conforme à l'usage prévu.

La désignation du modèle et le numéro de série figurent sur sa plaque signalétique.

- ▶ Inscrivez le numéro de série dans le tableau suivant. Les informations produit vous seront demandées lorsque vous contactez nos revendeurs ou services après-vente.

Caractéristiques produit

Scie sabre	WSR 900-PE, WSR 1250-PE, WSR 1400-PE
Génération :	01
N° de série :	

1.5 Déclaration de conformité

Nous déclarons sous notre seule et unique responsabilité que le produit décrit ici est conforme aux directives et normes en vigueur. Une copie de l'attestation délivrée par l'organisme de certification se trouve en fin de la présente documentation.

Pour obtenir les documentations techniques, s'adresser à :

Hilti Entwicklungsgesellschaft mbH | Zulassung Geräte | Hiltistraße 6 | 86916 Kaufering, DE

2 Sécurité

2.1 Indications générales de sécurité pour les appareils électriques

⚠ AVERTISSEMENT Lire toutes les consignes de sécurité et instructions, illustrations et caractéristiques techniques, qui accompagnent cet outil électroportatif. Tout manquement à l'observation des instructions suivantes risque de provoquer une électrocution, un incendie et/ou de graves blessures.

Les consignes de sécurité et instructions doivent être intégralement conservées pour les utilisations futures.

La notion d'« outil électroportatif » mentionnée dans les consignes de sécurité se rapporte à des outils électriques raccordés au secteur (avec câble d'alimentation) et à des outils électriques sur accu (sans câble d'alimentation).

Sécurité sur le lieu de travail

- ▶ **Conserver la zone de travail propre et bien éclairée.** Un lieu de travail en désordre ou mal éclairé augmente le risque d'accidents.
- ▶ **Ne pas faire fonctionner les outils électriques en atmosphère explosive et où se trouvent des liquides, des gaz ou poussières inflammables.** Les outils électriques produisent des étincelles qui peuvent enflammer les poussières ou les fumées.
- ▶ **Maintenir les enfants et les personnes présentes à l'écart pendant l'utilisation de l'outil électroportatif.** En cas d'inattention il y a risque de perdre le contrôle de l'appareil.

Sécurité relative au système électrique

- ▶ **La fiche de secteur de l'outil électroportatif doit être adaptée à la prise de courant. Ne jamais modifier la fiche de quelque façon que ce soit. Ne pas utiliser d'adaptateurs avec des outils électriques à branchement de terre.** Des fiches non modifiées et des prises de courant adaptées réduiront le risque de choc électrique.



- ▶ **Éviter le contact physique avec des surfaces mises à la terre tels que tuyaux, radiateurs, cuisinières et réfrigérateurs.** Il y a un risque élevé de choc électrique au cas où votre corps serait relié à la terre.
- ▶ **Ne pas exposer les outils électroportatifs à la pluie ou à l'humidité.** La pénétration d'eau à l'intérieur d'un outil électroportatif augmentera le risque d'un choc électrique.
- ▶ **Ne jamais utiliser le câble de raccordement à d'autres fins que celles prévues, telles que pour porter, accrocher ou débrancher l'outil électroportatif de la prise de courant. Maintenir le câble de raccordement à l'écart de la chaleur, des parties grasses, des bords tranchants ou des parties en mouvement.** Des câbles de raccordement endommagés ou emmêlés augmentent le risque de choc électrique.
- ▶ **Si l'outil électroportatif est utilisé à l'extérieur, utiliser uniquement des câbles de rallonge homologués pour les applications extérieures.** L'utilisation d'un câble de rallonge homologué pour les applications extérieures réduit le risque d'un choc électrique.
- ▶ **Si l'utilisation de l'outil électrique dans un environnement humide ne peut pas être évitée, utiliser un interrupteur de protection contre les courants de court-circuit.** L'utilisation d'un tel interrupteur de protection réduit le risque d'une décharge électrique.

Sécurité des personnes

- ▶ **Rester vigilant, surveiller ce que l'on fait. Faire preuve de bon sens en utilisant l'outil électroportatif. Ne pas utiliser l'outil électroportatif en étant fatigué ou sous l'emprise de l'alcool, de drogues ou de médicaments.** Un moment d'inattention lors de l'utilisation de l'outil électroportatif peut entraîner des blessures graves.
- ▶ **Utiliser un équipement de protection personnel et toujours porter une protection pour les yeux.** Les équipements de protection personnels tels que masque antipoussière, chaussures de sécurité antidérapantes, casque de protection ou protection acoustique suivant l'utilisation de l'outil électroportatif, réduiront le risque de blessures des personnes.
- ▶ **Éviter une mise en service par mégarde. S'assurer que l'outil électroportatif est arrêté avant de le brancher à la source de courant et/ou à l'accu, de le prendre ou de le porter.** Le fait de porter l'outil électroportatif avec le doigt sur l'interrupteur ou de brancher l'appareil sur la source de courant lorsque l'interrupteur est en position de fonctionnement peut entraîner des accidents.
- ▶ **Retirer tout outil de réglage ou toute clé avant de mettre l'outil électroportatif en fonctionnement.** Une clé ou un outil se trouvant sur une partie en rotation peut causer des blessures.
- ▶ **Adopter une bonne posture. Veiller à toujours garder une position stable et équilibrée.** Cela permet un meilleur contrôle de l'outil électroportatif dans des situations inattendues.
- ▶ **S'habiller de manière adaptée. Ne pas porter de vêtements amples ni de bijoux. Garder les cheveux, les vêtements et les gants à distance des parties en mouvement.** Des vêtements amples, des bijoux ou des cheveux longs peuvent être happés par des parties en mouvement.
- ▶ **Si des dispositifs servant à aspirer ou à recueillir les poussières doivent être utilisés, s'assurer qu'ils sont effectivement raccordés et correctement utilisés.** L'utilisation d'un dispositif d'aspiration de la poussière peut réduire les risques dus aux poussières.
- ▶ **Ne pas sous-estimer les mesures de sécurité à prendre et ne pas ignorer sciemment les règles de sécurité applicables aux outils électriques, même si l'on est utilisateur chevronné après de fréquentes utilisations de l'outil électroportatif.** Un manque d'attention peut conduire à de graves blessures en quelques fractions de seconde.

Utilisation et maniement de l'outil électroportatif

- ▶ **Ne pas forcer l'appareil. Utiliser l'outil électroportatif adapté au travail à effectuer.** Un outil électroportatif approprié réalisera mieux le travail et de manière plus sûre au régime pour lequel il a été conçu.
- ▶ **Ne pas utiliser d'outil électroportatif dont l'interrupteur est défectueux.** Tout outil électroportatif qui ne peut plus être mis en ou hors fonctionnement est dangereux et doit être réparé.
- ▶ **Débrancher la fiche de la prise de courant et/ou l'accu amovible avant d'effectuer des réglages sur l'appareil, de changer les accessoires, ou de ranger l'appareil.** Cette mesure de précaution empêche une mise en fonctionnement par mégarde de l'outil électroportatif.
- ▶ **Conserver les outils électroportatifs non utilisés hors de portée des enfants. Ne permettre l'utilisation de l'appareil à aucune personne qui ne soit pas familiarisée avec celui-ci ou qui n'a pas lu ces instructions.** Les outils électroportatifs sont dangereux lorsqu'ils sont entre les mains de personnes non initiées.
- ▶ **Prendre soin des outils électroportatifs et des accessoires. Vérifier que les parties en mouvement fonctionnent correctement et qu'elles ne sont pas coincées, et contrôler si des parties sont cassées ou endommagées de sorte que le bon fonctionnement de l'outil électroportatif s'en trouve entravé. Faire réparer les parties endommagées avant d'utiliser l'appareil.** De nombreux accidents sont dus à des outils électroportatifs mal entretenus.



- ▶ **Garder les outils de coupe affûtés et propres.** Des outils destinés à couper correctement entretenus avec des arêtes de coupe tranchantes sont moins susceptibles de bloquer et sont plus faciles à contrôler.
- ▶ **L'outil électroportatif, les accessoires, les outils amovibles, etc. doivent être utilisés conformément à ces instructions. Tenir également compte des conditions de travail et du travail à réaliser.** L'utilisation des outils électroportatifs à d'autres fins que celles prévues peut entraîner des situations dangereuses.
- ▶ **Veiller à ce que les poignées et surfaces de préhension soient toujours être sèches, propres et exemptes de traces de graisse ou d'huile.** Avec des poignées et surfaces de préhension glissantes, la sécurité et le contrôle de l'outil électroportatif ne peuvent être assurés dans des situations inopinées.

Service

- ▶ **L'outil électroportatif doit uniquement être réparé par un personnel qualifié, utilisant exclusivement des pièces de rechange d'origine.** Ceci permet d'assurer la sécurité de l'outil électroportatif.

2.2 Consignes de sécurité pour le sciage avec une lame de scie effectuant un mouvement de va-et-vient

- ▶ **Tenir l'outil électroportatif par les surfaces isolées des poignées lors des travaux pendant lesquels l'outil amovible risque de toucher des câbles électriques cachés ou son propre câble de raccordement.** Le contact avec un câble sous tension risque aussi de mettre les parties métalliques de l'appareil sous tension et de provoquer une décharge électrique.
- ▶ **Fixer et sécuriser l'outil à l'aide d'un serre-joint ou de tout autre manière sur un support stable.** Si l'outil est tenu seulement avec la main ou contre le corps, il reste instable ce qui peut entraîner la perte de contrôle.

2.3 Consignes de sécurité supplémentaires spécifiques aux scies

Sécurité des personnes

- ▶ Bien garder les mains à distance de la zone de sciage et de la lame de scie. Tenir de l'autre main la poignée supplémentaire ou le carter du moteur. Si la scie est tenue des deux mains, celles-ci ne risquent pas d'être blessées lors du sciage.
- ▶ Utiliser le produit uniquement s'il est en parfait état.
- ▶ Ne jamais entreprendre de manipulation ni de modification sur l'appareil.
- ▶ Éviter de toucher des pièces en rotation – Risque de blessures !
- ▶ Porter aussi des gants de protection pour changer d'outil. Risque de blessures par coupure et de brûlures au contact avec l'outil amovible.
- ▶ Avant le début du travail, prendre connaissance de la classe de risque de la poussière générée lors des travaux. Utiliser un aspirateur avec une classification de sécurité autorisée officiellement et conforme aux dispositions locales concernant les poussières. Les poussières de matériaux telles que des peintures contenant du plomb, certains types de bois, du béton / de la maçonnerie / des pierres naturelles qui contiennent du quartz ainsi que des minéraux et des métaux peuvent être nuisibles à la santé.
- ▶ Veiller à ce que le poste de travail soit bien ventilé et porter, le cas échéant, un masque de protection respiratoire adapté au type de poussières. Le contact ou l'aspiration de poussière peut provoquer des réactions allergiques et/ou des maladies respiratoires de l'utilisateur ou de toute personne se trouvant à proximité. Les matériaux contenant de l'amiante doivent seulement être manipulés par un personnel spécialisé.
- ▶ Ne pas passer les mains sous la pièce travaillée.
- ▶ Toujours tenir le produit des deux mains au niveau des poignées de maintien prévues à cet effet et mettez les bras dans une position vous permettant d'amortir les forces de contrecoup.
- ▶ Tenir les poignées toujours sèches et propres.
- ▶ Toujours se tenir latéralement à la lame de scie, le corps de l'utilisateur ne doit jamais être dans l'alignement de la lame de scie. En cas de contrecoup, la scie risque d'être propulsée vers l'arrière !
- ▶ Si la lame de scie se coince ou que le travail est interrompu, arrêter la scie et la tenir dans le matériau sans bouger jusqu'à ce que la lame de scie s'immobilise. Ne jamais essayer de sortir la scie de la pièce travaillée ou de la tirer vers l'arrière tant que la lame de scie bouge, sans quoi un contrecoup risque de se produire.
- ▶ Si une scie qui s'est bloquée dans une pièce doit être remise en marche, centrer la lame de scie dans la fente et contrôler que les dents de la scie ne soient pas restées accrochées dans la pièce.
- ▶ Travailler avec d'autant plus de prudence pour découper des parois existantes ou d'autres zones sans visibilité. La lame plongeante risque de se coincer dans des objets cachés et de provoquer un contrecoup.



Sécurité relative au système électrique

- ▶ Avant d'entamer le travail, vérifier qu'il n'y a pas de câbles ou gaines électriques, tuyaux de gaz ou d'eau cachés dans la zone d'intervention. Toutes pièces métalliques extérieures de l'appareil sont susceptibles de provoquer une décharge électrique si un câble électrique est endommagé par inadvertance.
- ▶ Tenir l'appareil par les surfaces isolées des poignées lors des travaux pendant lesquels l'outil utilisé risque de toucher des câbles électriques cachés. Le contact avec un câble sous tension risque de mettre les parties métalliques de l'appareil sous tension et de provoquer une décharge électrique.

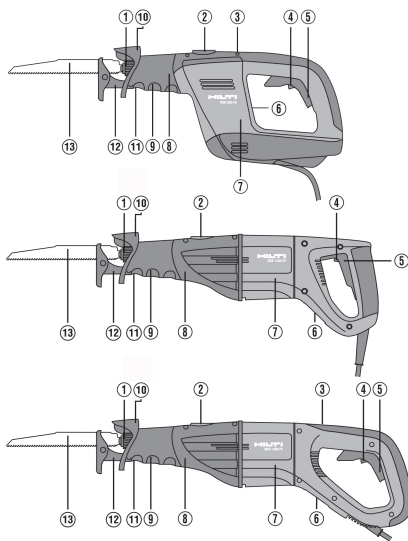
2.4 Consignes de sécurité supplémentaires

- ▶ Utiliser le produit uniquement s'il est en parfait état.
- ▶ Ne jamais entreprendre de manipulation ni de modification sur le produit.
- ▶ Ne pas utiliser de lames de scie émoussées ou endommagées. Celles-ci entraîneraient une friction élevée, un coincement de la lame de scie et un contrecoup.
- ▶ Avant d'entamer le travail, vérifier qu'il n'y a pas de câbles ou gaines électriques, tuyaux de gaz ou d'eau cachés dans la zone d'intervention. Les pièces métalliques extérieures du produit sont susceptibles de provoquer une décharge électrique si un câble électrique est endommagé par inadvertance.
- ▶ Fixer la pièce sur un support stable. Ne jamais tenir la pièce à scier avec la main ou sur la jambe.
- ▶ Seulement mettre le produit en marche lorsqu'il est dans la position de travail.
- ▶ Toujours travailler avec le produit en l'éloignant du corps.
- ▶ Travailler avec une pression d'appui modérée et une vitesse de coupe appropriée, notamment dans le cas de tuyaux de grand diamètre. Ce qui évite toute surchauffe du produit.
- ▶ En cas de séparation de conduites, d'abord s'assurer que celles-ci ne contiennent plus aucun liquide. Les vider si nécessaire.
- ▶ Lors du sectionnement de tuyauteries, toujours tenir le produit plus haut que la conduite à sectionner. Le produit n'est pas équipé d'une protection empêchant les pénétrations d'humidité. Toute fuite de liquide peut provoquer un court-circuit dans le produit.
- ▶ Ne pas scier dans des sous-sols de nature inconnue et libérer la surface de coupe de tout obstacle en haut et en bas. Si la lame de scie heurte un objet, elle peut déclencher un mouvement de recul au niveau du produit.
- ▶ Porter aussi des gants de protection pour changer d'outil. Risque de blessures par coupure et de brûlures au contact avec l'outil amovible.
- ▶ Respecter les instructions du fabricant relatives au maniement et au stockage des lames de scie.
- ▶ Pendant l'utilisation du produit, l'utilisateur et les personnes se trouvant à proximité doivent porter des lunettes de protection appropriées, un casque de protection, un casque antibruit, des gants de protection et un masque respiratoire léger.
- ▶ Ne jamais utiliser le produit sans protège-main dûment monté. Le carter du dispositif de la verrouillage de la lame/porte-lame ne doit pas être utilisé comme partie préhensible. Il y a risque de blessures par le dispositif de verrouillage de la lame / porte-lame.
- ▶ Le produit doit être serré contre la pièce travaillée à l'aide du patin d'appui. Ceci permet de garantir un travail fiable et optimal.
- ▶ Toujours utiliser des longueurs de lames dépassant d'au moins 40 mm de la dimension de la pièce pendant le cycle de coupe, ce qui permet d'éviter les importants mouvements de recul.



3 Description

3.1 Vue d'ensemble du produit



- ① Dispositif de verrouillage de la lame / porte-lame
- ② Commutateur de coupe pendulaire
- ③ Régulateur de cadence de coupe
- ④ Sécurité de transport
- ⑤ Variateur électronique de vitesse
- ⑥ Plaque signalétique
- ⑦ Moteur
- ⑧ Réducteur
- ⑨ Partie avant préhensible (protège-main)
- ⑩ Protège-main
- ⑪ Bouton-poussoir de réglage du patin d'appui
- ⑫ Patin d'appui
- ⑬ Lame de scie

3.2 Utilisation conforme à l'usage prévu

Le produit décrit est une scie sabre. Elle est destinée aux travaux de sciage dans le bois ou des matières analogues au bois, des matériaux métalliques ainsi que dans des plastiques.

Le produit doit être tenu avec les deux mains.

3.3 Mauvaise utilisation possible

Avec l'appareil, ne pas couper dans les briques, le béton, le béton cellulaire, les pierres naturelles ou les tuiles. Avec l'appareil, ne pas couper de conduites dans lesquelles se trouvent des liquides.

3.4 Éléments livrés

Scie sabre, lame de scie, mode d'emploi.

Pour une utilisation en toute sécurité, utiliser uniquement des pièces de rechange et consommables d'origine. Vous trouverez les pièces de rechange, consommables et accessoires autorisés par Hilti convenant pour votre produit dans le centre **Hilti** ou sous : www.hilti.com

4 Caractéristiques techniques

4.1 Scie sabre

La tension nominale, le courant nominal, la fréquence et la consommation nominale figurent sur la plaque signalétique spécifique au pays concerné.

En cas d'utilisation avec un groupe électrogène ou un transformateur, leur puissance d'alimentation doit être au moins égale au double de la puissance indiquée sur la plaque signalétique de l'appareil. La tension de service du groupe électrogène ou du transformateur doit être à tout moment comprise entre +5 % et -15 % de la tension nominale de l'appareil.



	WSR 900-PE	WSR 1250-PE	WSR 1400-PE
Poids	7,9 lb (3,6 kg)	9,9 lb (4,5 kg)	10,6 lb (4,8 kg)
Cadence de coupe	0 tr/min ... 2.700 tr/min	0 tr/min ... 2.700 tr/min	0 tr/min ... 2.700 tr/min
Course	1,3 in (32 mm)	1,3 in (32 mm)	1,3 in (32 mm)

5 Utilisation

5.1 Mise en place de la lame de scie



Utiliser uniquement des lames de scie avec un emmanchement 1/2".

- Vérifier si l'emmanchement de l'outil est bien propre et légèrement graissé.
 - Nettoyer et graisser la queue si nécessaire.
- Tourner la douille de verrouillage du porte-lame dans le sens contraire des aiguilles d'une montre et la maintenir dans cette position.
- Pousser la lame par l'avant dans le porte-lame.
- Relâcher la douille de verrouillage.
 - La douille de verrouillage s'encliquette de manière audible.
- Vérifier que la lame est bien enclenchée en tirant dessus.

5.2 Retrait de la lame de scie

- Tourner la douille de verrouillage du porte-lame dans le sens des aiguilles d'une montre et la maintenir dans cette position.
- Tirer la lame du porte-lame vers l'avant hors du porte-lame.
- Relâcher la douille de verrouillage.

5.3 Réglage du patin d'appui



En réglant le patin d'appui, la longueur de lame peut être utilisée de manière optimale et l'accès dans les coins est amélioré. Le patin d'appui s'encliquette selon un écartement de 6 mm (¹⁵/₁₆").

Ne pas dérégler le patin en cours de fonctionnement.

- Débrancher la fiche de la prise.
- Retirer la lame de scie. → Page 16
- Appuyer et maintenir le dispositif d'arrêt du patin d'appui.
- Pousser la butée de profondeur dans la position souhaitée.
- Relâcher le dispositif d'arrêt du patin d'appui.
- Vérifier si le patin est bien enclenché en tirant dessus.

5.4 Montage de la poignée latérale

- Débrancher la fiche de la prise.
- Retirer la lame de scie. → Page 16
- Monter l'adaptateur par le haut sur la poignée avant.
- Enfiler la poignée latérale sur l'adaptateur en la faisant passer par-dessus le porte-lame.
- Fixer la poignée latérale avec la vis de fixation.

5.5 Positionnement de la poignée latérale

- Débrancher la fiche de la prise.
- Desserrer la vis de fixation sur la poignée latérale.
- Placer la poignée latérale dans la position souhaitée.
- Fixer la poignée latérale avec la vis de fixation.



5.6 Mise en marche / Arrêt

AVERTISSEMENT

Risque de blessures car la scie continue de tourner !

- ▶ Relever le produit de la pièce travaillée seulement une fois qu'il est complètement arrêté.
- ▶ Attendre jusqu'à ce que le produit soit complètement arrêté avant de le déposer.

1. Pour allumer la scie sabre, actionner la sécurité de transport et le variateur électronique de vitesse.
2. Pour éteindre la scie sabre, relâcher le variateur électronique de vitesse.

5.7 Activation et désactivation du mouvement pendulaire

- Le mouvement pendulaire permet d'augmenter le rendement de coupe dans certains matériaux, par ex. avec les matériaux en bois.

Ne commuter sur mouvement pendulaire qu'à l'arrêt du produit.

- ▶ Activer ou désactiver le mouvement pendulaire en plaçant l'interrupteur de mouvement pendulaire sur la position finale correspondante.

5.8 Utilisation de l'adaptateur pour tuyauteries

1. Débrancher la fiche de la prise.
2. Retirer la lame de scie. → Page 16
3. Démontez le patin d'appui en maintenant le dispositif d'arrêt enfoncé et en retirant le patin d'appui.
4. Enfiler l'adaptateur pour tuyauteries dans le guidage et monter la lame de scie.
5. Vérifier si l'adaptateur coupe-tubes est bien fixé en tirant dessus.
6. Ouvrir complètement le crampon de vis de serrage sur l'adaptateur coupe-tubes.
7. Placer la chaîne de l'adaptateur pour tuyauteries autour de la pièce à couper et accrocher la chaîne à l'adaptateur.

- L'angle entre la scie et la vis de serrage doit être de 45°.

5.9 Réglage de la cadence de coupe

- Les réglages de la cadence de coupe recommandés sont indiqués dans le tableau des applications.

1. Tourner le régulateur de la cadence et régler la cadence de coupe entre 1 (faible) et 6 (élevée).
2. Appuyer sur le variateur électronique de vitesse.
 - ▶ Règle la cadence de coupe présélectionnée.

5.9.1 Réglages de la cadence de coupe

Matériaux	Réglages de la cadence de coupe suggérés
Bois	5-6
Bois avec des clous logés à l'intérieur	5-6
Aménagement intérieur, finitions et cloisons sèches	3-4
Plastique	3-4
Acier	2-3
Métaux non ferreux	2-3
Métaux légers	2-3
Acier inoxydable	1



5.10 Sciage en plongée 5

AVERTISSEMENT

Risque de blessures Danger des contrecoups.

- ▶ Lors du sciage en plongée, sécuriser la zone à l'arrière du lieu d'intervention. Utiliser uniquement des lames de scie appropriées (les plus courtes possibles).

Ne procéder à un sciage en plongée que dans des matériaux tendres et avec des lames de scie courtes. Pour effectuer des coupes en plongée, il est possible d'utiliser le produit avec deux positions de réglage : soit la position normale, soit la position retournée.

1. Positionner le produit avec le bord avant du patin d'appui AVR sur la pièce à découper.
2. Activer la sécurité de transport.
3. Appuyer sur le variateur électronique de vitesse.
4. Appuyer fortement le produit contre la pièce travaillée et plonger dans le matériau en réduisant l'angle d'appui.

Il est important que le produit soit en marche, avant d'appuyer la lame de scie contre le matériau support, sinon le produit peut se bloquer.

5. Une fois la profondeur de coupe nécessaire atteinte, remettre le produit dans sa position de travail normale (de sorte que le patin d'appui soit bien à plat) et continuer à scier le long du tracé.

6 Nettoyage et entretien

6.1 Entretien du produit

- ▶ Tenir le produit, en particulier les surfaces de préhension, sec, propre et exempt d'huile et de graisse. Ne pas utiliser de nettoyeurs à base de silicone.
- ▶ Ne jamais faire fonctionner le produit si ses ouïes d'aération sont bouchées ! Les nettoyer avec précaution au moyen d'une brosse sèche. Éviter toute pénétration de corps étrangers à l'intérieur du produit.
- ▶ Nettoyer régulièrement l'extérieur du produit avec un chiffon de nettoyage légèrement humide. Ne pas utiliser d'appareil diffuseur, d'appareil à jet de vapeur ou d'eau courante pour le nettoyage !
- ▶ Toujours maintenir la queue de l'outil propre et légèrement enduite de graisse.
- ▶ Après des travaux de nettoyage et d'entretien, vérifier si tous les équipements de protection sont bien en place et fonctionnent parfaitement.
- ▶ Pour solliciter le service après-vente ou pour des réparations, s'adresser à votre conseiller commercial ou consulter les données de contact sous www.hilti.com.

7 Aide au dépannage

En cas de défaillances non énumérées dans ce tableau ou auxquelles il n'est pas possible de remédier sans aide, contacter le S.A.V. **Hilti**.

7.1 Guide de dépannage

Défaillance	Causes possibles	Solution
L'appareil ne démarre pas.	Alimentation par secteur interrompue	▶ Brancher un autre appareil électrique et vérifier s'il fonctionne.
	Le câble d'alimentation réseau ou le connecteur est défectueux.	▶ Ne faire réparer l'appareil que par le S.A.V. Hilti .
	Le variateur électronique de vitesse est défectueux.	▶ Ne faire réparer l'appareil que par le S.A.V. Hilti .
L'appareil n'atteint pas la pleine puissance.	Câble de rallonge trop long ou de section insuffisante.	▶ Utiliser uniquement des câbles de rallonge homologués pour le champ d'action correspondant et de section suffisante.
	Le variateur électronique de vitesse n'est pas complètement enfoncé.	▶ Enfoncer complètement le variateur électronique de vitesse.



Défaillance	Causes possibles	Solution
Impossible de retirer la lame de scie du porte-lame.	La douille de verrouillage n'a pas été tournée jusqu'en butée.	► Tourner la douille de verrouillage jusqu'en butée et retirer la lame de scie.
Absence de mouvement pendulaire.	L'interrupteur de mouvement pendulaire ne se trouve pas sur Mouvement pendulaire.	► Régler l'interrupteur de mouvement pendulaire sur Mouvement pendulaire. Le mouvement pendulaire n'est perceptible que pendant le sciage.
Impossible de retirer le patin d'appui ou l'adaptateur pour tuyauteries	La lame de scie empêche cette opération.	► Retirer la lame de scie, puis le patin d'appui.
	Bouton-poussoir pas entièrement enfoncé.	► Enfoncer le bouton-poussoir à fond et retirer la lame de scie.

8 Recyclage

Les appareils **Hilti** sont fabriqués pour une grande partie en matériaux recyclables. Le recyclage présuppose un tri adéquat des matériaux. **Hilti** reprend les appareils usagés dans de nombreux pays en vue de leur recyclage. Consulter le service clients **Hilti** ou un conseiller commercial.



- Ne pas jeter les appareils électriques, électroniques et accus dans les ordures ménagères !

9 Garantie constructeur

- En cas de questions sur les conditions de garantie, veuillez vous adresser à votre partenaire **Hilti** local.

Manual de instrucciones original

1 Información sobre la documentación

1.1 Acerca de esta documentación

- Lea detenidamente esta documentación antes de la puesta en servicio. Ello es imprescindible para un trabajo seguro y un manejo sin problemas.
- Respete las indicaciones de seguridad y las advertencias presentes en esta documentación y en el producto.
- Conserve este manual de instrucciones siempre junto con el producto y entregue el producto a otras personas siempre acompañado del manual.

1.2 Explicación de símbolos

1.2.1 Avisos

Las advertencias de seguridad advierten de peligros derivados del manejo del producto. Se utilizan las siguientes palabras de peligro:

PELIGRO

PELIGRO !

- Término utilizado para un peligro inminente que puede ocasionar lesiones graves o incluso la muerte.

ADVERTENCIA

ADVERTENCIA !

- Término utilizado para un posible peligro que puede ocasionar lesiones graves o incluso la muerte.



⚠ PRECAUCIÓN

PRECAUCIÓN !

► Término utilizado para una posible situación peligrosa que puede ocasionar lesiones o daños materiales.

1.2.2 Símbolos en la documentación

En esta documentación se utilizan los siguientes símbolos:

	Leer el manual de instrucciones antes del uso
	Indicaciones de uso y demás información de interés
	Manejo con materiales reutilizables
	No tirar las herramientas eléctricas y las baterías junto con los desperdicios domésticos

1.2.3 Símbolos en las figuras

En las figuras se utilizan los siguientes símbolos:

2	Estos números hacen referencia a la figura correspondiente incluida al principio de este manual
3	La numeración describe el orden de los pasos de trabajo en la imagen y puede ser diferente de los pasos descritos en el texto
⑪	Los números de posición se utilizan en la figura Vista general y los números de la leyenda están explicados en el apartado Vista general del producto
	Preste especial atención a este símbolo cuando utilice el producto.

1.3 Símbolos de productos

1.3.1 Símbolos en el producto

En el producto se utilizan los siguientes símbolos:

RPM	Número de carreras por minuto
n_0	Número de carreras
	Corriente alterna
	Aislamiento doble
Hz	Hercios
V	Voltio
A	Amperios
	Bloqueado
	Desbloqueado

1.4 Información del producto

Los productos han sido diseñados para usuarios profesionales y solo personal autorizado y debidamente formado puede utilizarlos y llevar a cabo su mantenimiento y conservación. Este personal debe estar especialmente instruido en lo referente a los riesgos de uso. La utilización del producto y sus dispositivos auxiliares puede conllevar riesgos para el usuario en caso de manejarse de forma inadecuada por personal no cualificado o utilizarse para usos diferentes a los que están destinados.

La denominación del modelo y el número de serie están indicados en la placa de identificación.



- ▶ Escriba el número de serie en la siguiente tabla. Necesitará los datos del producto para realizar consultas a nuestros representantes o al Departamento de Servicio Técnico.

Datos del producto

Sierra sable	WSR 900-PE, WSR 1250-PE, WSR 1400-PE
Generación:	01
N.º de serie:	

1.5 Declaración de conformidad

Bajo nuestra exclusiva responsabilidad, declaramos que el producto aquí descrito cumple con las directivas y normas vigentes. Encontrará una reproducción del organismo certificador al final de esta documentación. La documentación técnica se encuentra depositada aquí:

Hilti Entwicklungsgesellschaft mbH | Zulassung Geräte | Hiltistraße 6 | 86916 Kaufering, DE

2 Seguridad

2.1 Indicaciones generales de seguridad para herramientas eléctricas

⚠ ADVERTENCIA Lea con atención todas las indicaciones de seguridad, instrucciones, ilustraciones y datos técnicos correspondientes a esta herramienta eléctrica. La negligencia en el cumplimiento de las instrucciones que se describen a continuación podría provocar descargas eléctricas, incendios o lesiones graves.

Conserve todas las instrucciones e indicaciones de seguridad para futuras consultas.

El término «herramienta eléctrica» empleado en las indicaciones de seguridad se refiere a herramientas eléctricas portátiles, ya sea con cable de red o sin cable, en caso de ser accionadas por batería.

Seguridad en el puesto de trabajo

- ▶ **Mantenga su área de trabajo limpia y bien iluminada.** El desorden o una iluminación deficiente de las zonas de trabajo pueden provocar accidentes.
- ▶ **No utilice la herramienta eléctrica en un entorno con peligro de explosión en el que se encuentren líquidos, gases o polvos inflamables.** Las herramientas eléctricas producen chispas que pueden llegar a inflamar los materiales en polvo o vapores.
- ▶ **Mantenga alejados a los niños y otras personas de su puesto de trabajo al emplear la herramienta eléctrica.** Una distracción le puede hacer perder el control sobre la herramienta.

Seguridad eléctrica

- ▶ **El enchufe de la herramienta eléctrica debe corresponder a la toma de corriente utilizada. No se deberá modificar el enchufe en forma alguna. No utilice enchufes adaptadores para las herramientas eléctricas con puesta a tierra.** Los enchufes sin modificar adecuados a las respectivas tomas de corriente reducen el riesgo de descarga eléctrica.
- ▶ **Evite el contacto corporal con superficies que tengan puesta a tierra, como pueden ser tubos, calefacciones, cocinas y frigoríficos.** El riesgo a quedar expuesto a una sacudida eléctrica es mayor si su cuerpo tiene contacto con tierra.
- ▶ **No exponga las herramientas eléctricas a la lluvia y evite que penetren líquidos en su interior.** El riesgo de recibir descargas eléctricas aumenta si penetra agua en la herramienta eléctrica.
- ▶ **No utilice el cable de conexión para transportar o colgar la herramienta eléctrica ni tire de él para extraer el enchufe de la toma de corriente. Mantenga el cable de conexión alejado de fuentes de calor, aceite, aristas afiladas o piezas móviles.** Los cables de conexión dañados o enredados pueden provocar descargas eléctricas.
- ▶ **Cuando trabaje al aire libre con una herramienta eléctrica, utilice exclusivamente un alargador adecuado para exteriores.** La utilización de un alargador adecuado para su uso en exteriores evita el riesgo de una descarga eléctrica.
- ▶ **Cuando no pueda evitarse el uso de la herramienta eléctrica en un entorno húmedo, utilice un interruptor de corriente de defecto.** La utilización de un interruptor de corriente de defecto evita el riesgo de una descarga eléctrica.

Seguridad de las personas

- ▶ **Permanezca atento, preste atención durante el trabajo y utilice la herramienta eléctrica con prudencia. No utilice una herramienta eléctrica si está cansado, ni tampoco después de haber consumido alcohol, drogas o medicamentos.** Un momento de descuido al utilizar la herramienta eléctrica podría producir graves lesiones.



- ▶ **Utilice el equipo de seguridad personal adecuado y lleve siempre gafas protectoras.** El riesgo de lesiones se reduce considerablemente si, según el tipo y la aplicación de la herramienta eléctrica empleada, se utiliza un equipo de seguridad personal adecuado como una mascarilla antipolvo, zapatos de seguridad con suela antideslizante, casco de protección o protección para los oídos.
- ▶ **Evite una puesta en servicio fortuita de la herramienta. Asegúrese de que la herramienta eléctrica está apagada antes de alzarla, transportarla, conectarla a la toma de corriente o insertar la batería.** Si transporta la herramienta eléctrica sujetándola por el interruptor de conexión/desconexión o si introduce el enchufe en la toma de corriente con la herramienta conectada, podría producirse un accidente.
- ▶ **Retire las herramientas de ajuste o llaves fijas antes de conectar la herramienta eléctrica.** Una herramienta o llave colocada en una pieza giratoria puede producir lesiones al ponerse en funcionamiento.
- ▶ **Evite adoptar posturas forzadas. Procure que la postura sea estable y manténgase siempre en equilibrio.** De esta forma podrá controlar mejor la herramienta eléctrica en caso de presentarse una situación inesperada.
- ▶ **Utilice ropa adecuada. No utilice vestimenta amplia ni joyas. Mantenga su pelo, vestimenta y guantes alejados de las piezas móviles.** La vestimenta suelta, las joyas y el pelo largo se pueden enganchar con las piezas en movimiento.
- ▶ **Siempre que sea posible montar equipos de aspiración o captación de polvo, asegúrese de que están conectados y de que se utilizan correctamente.** El uso de un sistema de aspiración de polvo reduce los riesgos derivados del polvo.
- ▶ **No se crea a salvo de cualquier riesgo ni pase por alto ninguna de las normas de seguridad relativas a las herramientas eléctricas, aun cuando esté familiarizado con la herramienta eléctrica y tenga larga experiencia en su uso.** Una actuación negligente puede provocar lesiones graves en cuestión de segundos.

Uso y manejo de la herramienta eléctrica

- ▶ **No sobrecargue la herramienta. Utilice la herramienta eléctrica adecuada para el trabajo que se dispone a realizar.** Con la herramienta eléctrica apropiada podrá trabajar mejor y de modo más seguro dentro del margen de potencia indicado.
- ▶ **No utilice herramientas eléctricas con el interruptor defectuoso.** Las herramientas eléctricas que no se puedan conectar o desconectar son peligrosas y deben repararse.
- ▶ **Extraiga el enchufe de la toma de corriente o retire la batería extraíble antes de efectuar cualquier ajuste en la herramienta, cambiar accesorios o en caso de no utilizar la herramienta durante un tiempo prolongado.** Esta medida preventiva evita el riesgo de arranque accidental de la herramienta eléctrica.
- ▶ **Guarde las herramientas eléctricas que no utilice fuera del alcance de los niños. No permita utilizar la herramienta a ninguna persona que no esté familiarizada con ella o que no haya leído este manual de instrucciones.** Las herramientas eléctricas utilizadas por personas inexpertas son peligrosas.
- ▶ **Cuide su herramienta eléctrica y los accesorios adecuadamente. Compruebe si las piezas móviles de la herramienta funcionan correctamente y sin atascarse, y si existen piezas rotas o deterioradas que pudieran afectar al funcionamiento de la herramienta eléctrica. Encargue la reparación de las piezas defectuosas antes de usar la herramienta eléctrica.** Muchos accidentes son consecuencia de un mantenimiento inadecuado de la herramienta eléctrica.
- ▶ **Mantenga los útiles limpios y afilados.** Las herramientas de corte bien cuidadas y con aristas afiladas se atascan menos y se guían con más facilidad.
- ▶ **Utilice la herramienta eléctrica, los accesorios, útiles de inserción, etc., de acuerdo con estas instrucciones. Para ello, tenga en cuenta las condiciones de trabajo y la tarea que se va a realizar.** El uso de herramientas eléctricas para trabajos diferentes de aquellos para los que han sido concebidas puede resultar peligroso.
- ▶ **Mantenga las empuñaduras y las superficies de contacto secas, limpias y sin residuos de aceite o grasa.** Las empuñaduras y superficies de contacto resbaladizas impiden manejar y controlar la herramienta eléctrica con seguridad en situaciones imprevistas.

Servicio Técnico

- ▶ **Solicite un profesional lleve a cabo la reparación de su herramienta eléctrica y que utilice exclusivamente piezas de repuesto originales.** Solamente así se garantiza la seguridad de la herramienta eléctrica.

2.2 Indicaciones de seguridad para sierras con hojas de sierra de vaivén

- ▶ **Sujete la herramienta eléctrica por las empuñaduras aisladas cuando realice trabajos en los que el útil de inserción pueda entrar en contacto con cables eléctricos ocultos o con el propio cable de**



conexión de la herramienta. El contacto con los cables conductores puede traspasar la conductividad a las partes metálicas y producir descargas eléctricas.

- ▶ **Fije y asegure la herramienta a una superficie estable con abrazaderas o mediante otro sistema.** Si solo utiliza la mano para sujetar la pieza de trabajo o se la apoya contra el cuerpo, la pieza estará inestable, lo que puede provocar una pérdida de control.

2.3 Indicaciones de seguridad adicionales para el serrado

Seguridad de las personas

- ▶ Mantenga las manos alejadas del área de corte y de la hoja de sierra. Sujete la empuñadura adicional o la carcasa del motor con la otra mano. Si sujeta la sierra con ambas manos, no correrá peligro de lesionarse con la sierra.
- ▶ Utilice el producto solo si está en perfecto estado técnico.
- ▶ No efectúe nunca manipulaciones o modificaciones en la herramienta.
- ▶ Evite tocar las piezas en movimiento, ya que existe riesgo de lesiones.
- ▶ Para cambiar el útil, utilice también guantes de protección. El contacto con el útil de inserción puede producir cortes y quemaduras.
- ▶ Antes de iniciar el trabajo, consulte la clase de peligros derivados del polvo resultante del trabajo. Utilice un aspirador de obra con una clasificación de protección homologada conforme a las normas locales sobre la protección contra el polvo. El polvo procedente de materiales como pinturas con plomo, determinadas maderas, hormigón/mampostería/rocas con cuarzo, así como minerales y metal puede ser nocivo para la salud.
- ▶ Procure una buena ventilación en el lugar de trabajo y utilice en caso necesario una mascarilla adecuada para cada clase de polvo. El contacto con el polvo o su inhalación puede provocar reacciones alérgicas o asfixia al usuario o a personas que se encuentren en su entorno. Únicamente expertos cualificados están autorizados a manipular materiales que contengan asbesto.
- ▶ No toque la parte inferior de la pieza de trabajo.
- ▶ Sujete el producto con firmeza siempre con ambas manos por las empuñaduras previstas manteniendo los brazos en una posición que le permita hacer frente a las fuerzas de rebote.
- ▶ Mantenga las empuñaduras secas y limpias.
- ▶ Mantenga la hoja de sierra a un lado y no la coloque en línea con su cuerpo. La sierra puede retroceder bruscamente al rebotar.
- ▶ Si la hoja de sierra se atasca o el trabajo se interrumpe, desconecte la sierra y espere hasta que la hoja de sierra se detenga. Nunca intente extraer la sierra de la pieza de trabajo ni tirar de ella hacia atrás mientras la hoja de sierra esté en funcionamiento, ya que de lo contrario puede rebotar.
- ▶ Para continuar el trabajo con la sierra insertada en la pieza de trabajo, centre la hoja de sierra en la ranura y compruebe que los dientes no estén enganchados en la pieza de trabajo.
- ▶ Preste especial atención al serrar en paredes o en áreas ocultas. Durante el proceso de serrado, la hoja de sierra puede quedar bloqueada en objetos ocultos y provocar un rebote.

Seguridad eléctrica

- ▶ Antes de empezar a trabajar, compruebe si la zona de trabajo oculta cables eléctricos, tuberías de gas o cañerías de agua. Las partes metálicas exteriores de la herramienta pueden provocar una descarga eléctrica si se daña por error un cable eléctrico.
- ▶ Sujete la herramienta por las empuñaduras aisladas cuando realice trabajos en los que el útil de inserción pueda entrar en contacto con cables eléctricos ocultos. El contacto con los cables conductores puede traspasar la conductividad a las partes metálicas y producir descargas eléctricas.

2.4 Indicaciones de seguridad adicionales

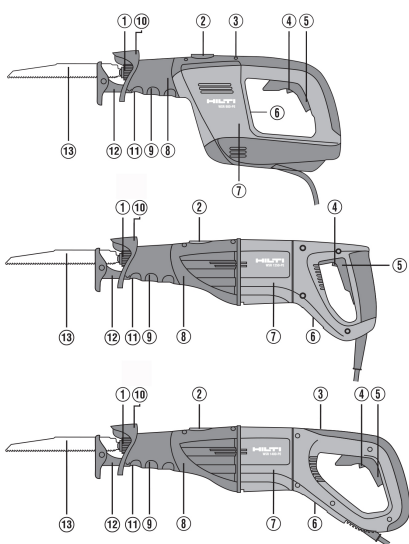
- ▶ Utilice el producto solo si está en perfecto estado técnico.
- ▶ No efectúe nunca manipulaciones o modificaciones en el producto.
- ▶ No utilice hojas de sierra desafiladas o dañadas. Estas podrían provocar una elevada fricción, el atasco o el rebote de la hoja de sierra.
- ▶ Antes de empezar a trabajar, compruebe si la zona de trabajo oculta cables eléctricos, tuberías de gas o cañerías de agua. Las partes metálicas exteriores del producto pueden provocar una descarga eléctrica si se daña por error un cable eléctrico.
- ▶ Fije la pieza de trabajo sobre una superficie estable. No sujete nunca la pieza de trabajo con la mano o sobre sus piernas.
- ▶ Conecte el producto una vez se encuentre en la posición de trabajo.
- ▶ Aparte siempre el producto del cuerpo cuando se esté trabajando con él.



- ▶ Trabaje con una presión de apriete moderada y una velocidad de corte adecuada, en especial si el diámetro del tubo es muy grande. De este modo, se impide el sobrecalentamiento del producto.
- ▶ A la hora de cortar canalizaciones, asegúrese primero de que las tuberías no contengan líquido. Vacíelas si fuera necesario.
- ▶ Cuando corte tuberías, mantenga el producto por encima de la pieza que desea cortar. El producto no está dotado de ninguna protección contra la penetración de humedad. El líquido derramado puede ocasionar un cortocircuito en el producto.
- ▶ No corte nunca superficies desconocidas y mantenga la guía de corte libre de obstáculos por arriba y por abajo. Si la hoja de sierra topa con un obstáculo, puede provocar un retroceso en el producto.
- ▶ Para cambiar el útil, utilice también guantes de protección. El contacto con el útil de inserción puede producir cortes y quemaduras.
- ▶ Consulte las indicaciones del fabricante sobre el manejo y conservación de las hojas de sierra.
- ▶ El usuario y las personas que se encuentren en las inmediaciones de la zona de uso del producto deberán llevar gafas protectoras adecuadas, casco de protección, protección para los oídos, guantes de protección y una mascarilla ligera.
- ▶ No utilice nunca el producto sin llevar puesta la protección de las manos. La cubierta del bloqueo del útil/portaútiles no se puede utilizar como parte de agarre. El bloqueo del útil/ portaútiles puede provocar lesiones.
- ▶ El producto debe presionarse con la zapata de presión contra la pieza con la que se va a trabajar. Eso garantiza un trabajo óptimo y seguro.
- ▶ Utilice siempre longitudes de hoja de sierra que durante el ciclo de la carrera sobresalgan como mínimo 40 mm por encima de las dimensiones de la pieza. De este modo evitará golpes de retroceso fuertes.

3 Descripción

3.1 Vista general del producto



- ① Bloqueo del útil/portaútiles
- ② Interruptor de acción pendular
- ③ Regulador del número de carreras
- ④ Seguro de transporte
- ⑤ Conmutador de control
- ⑥ Placa de identificación
- ⑦ Motor
- ⑧ Engranajes
- ⑨ Zona de agarre delantera (protección de la mano)
- ⑩ Protección de la mano
- ⑪ Pulsador para el ajuste de la zapata de presión
- ⑫ Zapata de presión
- ⑬ Hoja de sierra

3.2 Uso conforme a las prescripciones

El producto descrito es una sierra sable. Está destinada al tronzado de madera, materiales similares y metálicos, así como plásticos.

El producto ha sido diseñado para el uso con dos manos.

3.3 Posibles usos indebidos

No utilice la herramienta para cortar ladrillos, hormigón, hormigón poroso, piedras naturales o tejas.

No utilice la herramienta para cortar tuberías que contengan líquidos.



3.4 Suministro

Sierra sable, hoja de sierra, manual de instrucciones.

Para garantizar un correcto funcionamiento, utilice exclusivamente piezas de repuesto y material de consumo originales. Puede encontrar las piezas de repuesto, el material de consumo y los accesorios que comercializamos en su Centro Hilti o en www.hilti.com

4 Datos técnicos

4.1 Sierra sable

La tensión nominal, la intensidad nominal, la frecuencia y la potencia nominal figuran en la placa de identificación específica del país.

Si se utiliza con un generador o transformador, la potencia útil debe ser al menos el doble de la potencia nominal indicada en la placa de identificación de la herramienta. La tensión de servicio del transformador o del generador debe encontrarse en todo momento entre un +5 % y un -15 % de la tensión nominal de la herramienta.

	WSR 900-PE	WSR 1250-PE	WSR 1400-PE
Peso	7,9 lb (3,6 kg)	9,9 lb (4,5 kg)	10,6 lb (4,8 kg)
Número de carreras	0 rpm ... 2.700 rpm	0 rpm ... 2.700 rpm	0 rpm ... 2.700 rpm
Longitud de carrera	1,3 in (32 mm)	1,3 in (32 mm)	1,3 in (32 mm)

5 Manejo

5.1 Colocación de la hoja de sierra

Utilice únicamente hojas de sierra con extremos de inserción de 1/2".

1. Compruebe si el extremo de inserción del útil está limpio y ligeramente engrasado.
 - Limpie y engrase el extremo de inserción en caso necesario.
2. Gire hacia la izquierda el casquillo de bloqueo del portaútiles y manténgalo en esa posición.
3. Introduzca la hoja de sierra por la parte delantera del portaútiles.
4. Deslice hacia atrás el casquillo de bloqueo.
 - El casquillo de bloqueo encajará con un chasquido.
5. Tire de la hoja de sierra para comprobar que esté bien enclavada.

5.2 Retirada de la hoja de sierra

1. Gire hacia la derecha el casquillo de bloqueo del portaútiles y manténgalo en esa posición.
2. Extraiga la hoja de sierra del portaútiles tirando hacia fuera.
3. Deslice hacia atrás el casquillo de bloqueo.

5.3 Ajuste de la zapata de presión

Al regular la zapata de presión, se aprovecha de forma óptima la longitud de la hoja de la sierra y se mejora el acceso a las esquinas. La zapata de presión se enclava a intervalos de 6 mm (¹⁵/₁₆").

No ajuste la zapata de presión durante el funcionamiento.

1. Extraiga el enchufe de red de la toma de corriente.
2. Retire la hoja de sierra. → página 25
3. Presione y mantenga presionado el bloqueo de la zapata de presión.



4. Desplace la zapata de presión hasta la posición deseada.
5. Suelte el bloqueo de la zapata de presión.
6. Tire de la zapata de presión para comprobar que está bien enclavada.

5.4 Montaje de la empuñadura lateral

1. Extraiga el enchufe de red de la toma de corriente.
2. Retire la hoja de sierra. → página 25
3. Coloque el adaptador en la empuñadura desde arriba.
4. Desplace la empuñadura lateral a través del portaútiles hacia el adaptador.
5. Fije la empuñadura lateral con el tornillo de fijación.

5.5 Colocación de la empuñadura lateral

1. Extraiga el enchufe de red de la toma de corriente.
2. Suelte el tornillo de fijación de la empuñadura lateral.
3. Coloque la empuñadura lateral en la posición deseada.
4. Fije la empuñadura lateral con el tornillo de fijación.

5.6 Conexión y desconexión



ADVERTENCIA

Riesgo de lesiones por funcionamiento residual de la sierra !

- ▶ No levante el producto de la pieza hasta que se haya parado por completo.
- ▶ Espere hasta que el producto se haya detenido por completo antes de dejarlo sobre alguna superficie.

1. Para conectar la sierra sable, accione el seguro de transporte y el conmutador de control.
2. Para desconectar la sierra sable, suelte el conmutador de control.

5.7 Conexión y desconexión de la acción pendular



Gracias a la acción pendular puede aumentarse el rendimiento de corte en determinados materiales, como p. ej. los derivados de la madera.

Cambie la acción pendular solo con el producto detenido.

- ▶ Conecte o desconecte la acción pendular colocando el interruptor de péndulo en la posición final correspondiente.

5.8 Colocación del adaptador para corte de tubos

1. Extraiga el enchufe de red de la toma de corriente.
2. Retire la hoja de sierra. → página 25
3. Desmonte la zapata de presión manteniendo pulsado el bloqueo y retire la zapata de presión.
4. Deslice el adaptador para corte de tubos en la guía y coloque la hoja de sierra.
5. Tire del adaptador para corte de tubos para comprobar que está bien enclavado.
6. Abra la abrazadera del adaptador para corte de tubos.
7. Coloque la cadena del adaptador para corte de tubos alrededor de la pieza de trabajo y cuelgue la cadena del adaptador.



Entre la sierra y el tornillo de apriete debe haber un ángulo de 45°.

5.9 Ajuste del número de carreras



Consulte el ajuste del número de carreras recomendado en la tabla de aplicaciones.

1. Gire el regulador del número de carreras y ajuste el número de carreras entre 1 (pequeño) y 6 (grande).



2. Pulse el conmutador de control.
 - ▶ Se ajusta el número de carreras preseleccionado.

5.9.1 Ajuste del número de carreras

Material de trabajo	Recomendación de ajuste del número de carreras
Madera	5-6
Madera fijada con clavos	5-6
Construcción de interiores, construcción en seco	3-4
Plástico	3-4
Acero	2-3
Metales no féreos	2-3
Metales ligeros	2-3
Acero inoxidable	1

5.10 Serrado de inmersión

ADVERTENCIA

Riesgo de lesiones Peligro de rebote.

- ▶ Asegure la zona con suficiente margen hacia atrás para la realización de trabajos de serrado de inmersión. Utilice únicamente hojas de sierra apropiadas (lo más cortas posibles).

Utilice el método de serrado por inmersión solo para materiales blandos y con hojas de sierra cortas. Es posible utilizar el producto con dos ajustes de corte por inmersión diferentes: en la posición normal o en la posición invertida.

1. Coloque el producto con el borde delantero de la zapata de presión AVR sobre la pieza.
2. Accione el seguro de transporte.
3. Pulse el conmutador de control.
4. Presione el producto fuertemente contra la pieza e introdúzcalo en la superficie de trabajo reduciendo el ángulo de incidencia.

Es importante que el producto esté en marcha antes de presionar la hoja de sierra contra la superficie de trabajo, ya que de lo contrario podría bloquearse.

5. Una vez que haya atravesado la superficie de la pieza, vuelva a poner el producto en la posición de trabajo normal (la zapata de presión está completamente apoyada) y continúe serrando a lo largo de la línea de corte.

6 Cuidado y mantenimiento

6.1 Cuidado del producto

- ▶ Mantenga el producto seco, limpio y libre de aceite y grasa, en especial las superficies de la empuñadura. No utilice ningún producto de limpieza que contenga silicona.
- ▶ No utilice nunca el producto si tiene obstruidas las rejillas de ventilación. Limpie cuidadosamente las rejillas de ventilación con un cepillo seco. Evite que entren cuerpos extraños en el interior del producto.
- ▶ Limpie regularmente la parte exterior del producto con un paño ligeramente humedecido. No utilice pulverizadores, aparatos de chorro de vapor o agua corriente para la limpieza.
- ▶ Mantenga siempre el extremo de inserción del útil limpio y ligeramente engrasado.
- ▶ Una vez realizadas las tareas de cuidado y mantenimiento debe comprobarse si están colocados todos los dispositivos de protección y si estos funcionan correctamente.
- ▶ En caso de necesitar Servicio Técnico o Servicio de Reparación, póngase en contacto con su asesor de ventas o consulte los datos de contacto en www.hilti.com.



7 Ayuda en caso de averías

Si se producen averías que no estén incluidas en esta tabla o que no pueda solucionar usted, diríjase al Servicio Técnico de **Hilti**.

7.1 Localización de averías

Anomalía	Posible causa	Solución
La herramienta no arranca.	Suministro de corriente interrumpido	► Conecte otra herramienta eléctrica y compruebe si funciona.
	Cable de red o enchufe defectuosos.	► Las reparaciones solo podrá realizarlas el Departamento de Servicio Técnico de Hilti .
	Conmutador de control averiado	► Las reparaciones solo podrá realizarlas el Departamento de Servicio Técnico de Hilti .
La herramienta no alcanza su máxima potencia.	El alargador es demasiado largo o no tiene la sección transversal suficiente.	► Utilice sólo el cable de prolongación autorizado para el campo de aplicación con sección suficiente.
	Conmutador de control no pulsado del todo.	► Pulse completamente el conmutador de control.
La hoja de sierra no puede extraerse del portaútiles.	Casquillo de bloqueo no girado hasta el tope.	► Gire el casquillo de bloqueo hasta el tope y retire la hoja de sierra.
La función de péndulo no reacciona.	El interruptor de acción pendular no se encuentra en la acción pendular.	► Coloque el interruptor de acción pendular en la acción pendular. La acción pendular solo se percibe durante el serrado.
No se pueden retirar la zapata de presión o el adaptador para corte de tubos.	Acción impedida por la hoja de sierra.	► Extraiga la hoja de sierra y a continuación, la zapata de presión.
	El pulsador no se ha presionado por completo.	► Presione por completo el pulsador y retire la hoja de sierra.

8 Reciclaje

Las herramientas **Hilti** están fabricadas en su mayor parte con materiales reutilizables. La condición para dicha reutilización es una separación adecuada de los materiales. En muchos países, **Hilti** recoge las herramientas usadas para su recuperación. Pregunte en el Servicio de Atención al Cliente de **Hilti** o a su asesor de ventas.



- No deseche las herramientas eléctricas, los aparatos eléctricos ni las baterías junto con los residuos domésticos.

9 Garantía del fabricante

- Si tiene alguna consulta acerca de las condiciones de la garantía, póngase en contacto con su sucursal local de **Hilti**.



Manual de instruções original

1 Indicações sobre a documentação

1.1 Sobre esta documentação

- Antes da colocação em funcionamento, leia esta documentação. Esta é a condição para um trabalho seguro e um manuseamento sem problemas.
- Tenha em atenção as instruções de segurança e as advertências nesta documentação e no produto.
- Guarde o manual de instruções sempre junto do produto e entregue-o a outras pessoas apenas juntamente com este manual.

1.2 Explicação dos símbolos

1.2.1 Advertências

As advertências alertam para perigos durante a utilização do produto. São utilizadas as seguintes palavras de aviso:

PERIGO

PERIGO !

- ▶ Indica perigo iminente que pode originar acidentes pessoais graves ou até mesmo fatais.

AVISO

AVISO !

- ▶ Indica um possível perigo que pode causar graves ferimentos pessoais, até mesmo fatais.





CUIDADO

CUIDADO !

- ▶ Indica uma situação potencialmente perigosa que pode originar ferimentos corporais ou danos materiais.


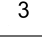
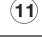

1.2.2 Símbolos na documentação

Nesta documentação são utilizados os seguintes símbolos:

	Leia o manual de instruções antes da utilização
	Instruções de utilização e outras informações úteis
	Manuseamento com materiais recicláveis
	Não deitar as ferramentas eléctricas e baterias no lixo doméstico

1.2.3 Símbolos nas figuras

Em figuras são utilizados os seguintes símbolos:

	Estes números referem-se à respectiva imagem no início deste Manual
	A numeração reproduz uma sequência dos passos de trabalho na imagem e pode divergir dos passos de trabalho no texto
	Na figura Vista geral são utilizados números de posição que fazem referência aos números da legenda na secção Vista geral do produto
	Este símbolo pretende despertar a sua atenção durante o manuseamento do produto.

1.3 Símbolos dependentes do produto

1.3.1 Símbolos no produto

No produto são utilizados os seguintes símbolos:



RPM	Número de cursos por minuto
n_0	Número de cursos
	Corrente alternada
	com duplo isolamento
Hz	Hertz
V	Volt
A	Ampere
	Bloqueado
	Desbloqueado

1.4 Dados informativos sobre o produto

Os produtos destinam-se ao utilizador profissional e só podem ser operados, mantidos e reparados por pessoal autorizado, devidamente qualificado. Estas pessoas deverão estar informadas em particular sobre os potenciais perigos. O produto e seu equipamento auxiliar podem representar perigo se usados incorrectamente por pessoas não qualificadas ou se usados para fins diferentes daqueles para os quais foram concebidos.

A designação e o número de série são indicados na placa de características.

- Registe o número de série na tabela seguinte. Precisa dos dados do produto para colocar questões ao nosso representante ou posto de serviço de atendimento aos clientes.

Dados do produto

Serra de sabre	WSR 900-PE, WSR 1250-PE, WSR 1400-PE
Geração:	01
N.º de série:	

1.5 Declaração de conformidade

Declaramos sob nossa exclusiva responsabilidade que o produto aqui descrito está em conformidade com as directivas e normas em vigor. Na parte final desta documentação encontra uma reprodução do organismo de certificação.

As documentações técnicas estão aqui guardadas:

Hilti Entwicklungsgesellschaft mbH | Zulassung Geräte | Hiltistraße 6 | 86916 Kaufering, DE

2 Segurança

2.1 Normas de segurança gerais para ferramentas eléctricas

⚠ AVISO Leia todas as normas de segurança, instruções, imagens e dados técnicos, com os quais esta ferramenta eléctrica está equipada. O não cumprimento das instruções a seguir pode resultar em choque eléctrico, incêndio e/ou ferimentos graves.

Guarde bem todas as normas de segurança e instruções para futura referência.

O termo "ferramenta eléctrica" utilizado nas normas de segurança refere-se a ferramentas com ligação à corrente eléctrica (com cabo de alimentação) ou a ferramentas a bateria (sem cabo).

Segurança no posto de trabalho

- **Mantenha a sua área de trabalho limpa e bem iluminada.** Locais desarrumados ou mal iluminados podem ocasionar acidentes.
- **Não utilize a ferramenta eléctrica em ambientes explosivos ou na proximidade de líquidos ou gases inflamáveis.** Ferramentas eléctricas produzem faíscas que podem provocar a ignição de pó e vapores.



- ▶ **Mantenha crianças e terceiros afastados durante os trabalhos.** Distrações podem conduzir à perda de controlo sobre a ferramenta.

Segurança eléctrica

- ▶ **A ficha da ferramenta eléctrica deve servir na tomada. A ficha não deve ser modificada de modo algum. Não utilize quaisquer adaptadores com ferramentas eléctricas com ligação terra.** Fichas originais (não modificadas) e tomadas adequadas reduzem o risco de choque eléctrico.
- ▶ **Evite o contacto do corpo com superfícies ligadas à terra, como, por exemplo, canos, radiadores, fogões e frigoríficos.** Existe um risco elevado de choque eléctrico se o corpo estiver com ligação à terra.
- ▶ **As ferramentas eléctricas não devem ser expostas à chuva nem à humidade.** A infiltração de água numa ferramenta eléctrica aumenta o risco de choque eléctrico.
- ▶ **Não use o cabo de ligação para transportar, pendurar ou desligar a ferramenta eléctrica da tomada. Mantenha o cabo de ligação afastado de calor, óleo, arestas vivas ou partes em movimento.** Cabos de ligação danificados ou emaranhados aumentam o risco de choque eléctrico.
- ▶ **Quando operar uma ferramenta eléctrica ao ar livre, utilize apenas cabos de extensão próprios para utilização no exterior.** A utilização de um cabo de extensão próprio para utilização no exterior reduz o risco de choques eléctricos.
- ▶ **Utilize um disjuntor diferencial se não puder ser evitada a utilização da ferramenta eléctrica em ambiente húmido.** A utilização de um disjuntor diferencial reduz o risco de choque eléctrico.

Segurança física

- ▶ **Esteja alerta, observe o que está a fazer, e tenha prudência ao trabalhar com uma ferramenta eléctrica. Se estiver cansado ou sob influência de drogas, álcool ou medicamentos não efectue nenhum trabalho com ferramentas eléctricas.** Um momento de distração ao operar a ferramenta eléctrica pode causar ferimentos graves.
- ▶ **Use equipamento de segurança. Use sempre óculos de protecção.** Equipamento de segurança, como, por exemplo, máscara antipoeiras, sapatos de segurança antiderrapantes, capacete de segurança ou protecção auricular, de acordo com o tipo e aplicação da ferramenta eléctrica, reduzem o risco de lesões.
- ▶ **Evite um arranque involuntário. Assegure-se de que a ferramenta eléctrica está desligada antes de a ligar à fonte de alimentação e/ou à bateria, pegar nela ou a transportar.** Transportar a ferramenta eléctrica com o dedo no interruptor ou ligar uma ferramenta à tomada com o interruptor ligado (ON) pode resultar em acidentes.
- ▶ **Remova quaisquer chaves de ajuste (chaves de fenda), antes de ligar a ferramenta eléctrica.** Um acessório ou chave deixado preso numa parte rotativa da ferramenta pode causar ferimentos.
- ▶ **Evite posturas corporais desfavoráveis. Mantenha sempre uma posição correcta, em perfeito equilíbrio.** Desta forma será mais fácil manter o controlo sobre a ferramenta eléctrica em situações inesperadas.
- ▶ **Use roupa apropriada. Não use roupa larga ou jóias. Mantenha o cabelo, vestuário e luvas afastados das peças móveis.** Roupas largas, jóias ou cabelos compridos podem ficar presos nas peças móveis.
- ▶ **Se poderem ser montados sistemas de remoção e de recolha de pó, assegure-se de que estes estão ligados e são utilizados correctamente.** A utilização de um sistema de remoção de pó pode reduzir os perigos relacionados com a exposição ao mesmo.
- ▶ **Não se acomode numa falsa sensação de segurança e não ignore os regulamentos de segurança para ferramentas eléctricas, mesmo se estiver familiarizado com a ferramenta eléctrica após numerosas utilizações.** Agir de forma descuidada pode causar ferimentos graves dentro duma fracção de segundo.

Utilização e manuseamento da ferramenta eléctrica

- ▶ **Não sobrecarregue a ferramenta. Use para o seu trabalho a ferramenta eléctrica correcta.** Com a ferramenta eléctrica adequada obterá maior eficiência e segurança se respeitar os seus limites.
- ▶ **Não utilize a ferramenta eléctrica se o interruptor estiver defeituoso.** Uma ferramenta eléctrica que já não possa ser accionada pelo interruptor é perigosa e deve ser reparada.
- ▶ **Retire a ficha da tomada e/ou remova uma bateria amovível antes de efectuar ajustes na ferramenta, substituir acessórios ou guardar a ferramenta.** Esta medida preventiva evita o accionamento accidental da ferramenta eléctrica.
- ▶ **Guarde ferramentas eléctricas não utilizadas fora do alcance das crianças. Não permita que a ferramenta seja utilizada por pessoas não familiarizadas com a mesma ou que não tenham lido estas instruções.** Ferramentas eléctricas operadas por pessoas não treinadas são perigosas.
- ▶ **Faça uma manutenção regular de ferramentas eléctricas e acessórios. Verifique se as partes móveis funcionam perfeitamente e não emperram ou se há peças quebradas ou danificadas**



que possam influenciar o funcionamento da ferramenta eléctrica. Peças danificadas devem ser reparadas antes da utilização da ferramenta. Muitos acidentes são causados por ferramentas eléctricas com manutenção deficiente.

- ▶ **Mantenha as ferramentas de corte sempre afiadas e limpas.** Acessórios com gumes afiados tratados correctamente emperram menos e são mais fáceis de controlar.
- ▶ **Utilize a ferramenta eléctrica, acessórios, bits, etc., de acordo com estas instruções. Tome também em consideração as condições de trabalho e o trabalho a ser efectuado.** A utilização da ferramenta eléctrica para outros fins além dos previstos, pode ocasionar situações de perigo.
- ▶ **Mantenha punhos e respectivas superfícies secos, limpos e isentos de óleo e gordura.** Punhos e superfícies afins escorregadios não permitem um manuseamento e controlo seguro da ferramenta eléctrica em situações imprevistas.

Manutenção

- ▶ **A sua ferramenta eléctrica só deve ser reparada por pessoal qualificado e só devem ser utilizadas peças sobressalentes originais.** Isto assegurará que a segurança da ferramenta eléctrica se mantenha.

2.2 Normas de segurança para serras com lâmina a fazer movimento de vaivém

- ▶ **Segure a ferramenta eléctrica pelas áreas isoladas dos punhos, quando executar trabalhos em que o acessório possa encontrar cabos eléctricos encobertos ou o próprio cabo de ligação.** O contacto com um cabo sob tensão também pode colocar partes metálicas da ferramenta sob tensão e causar um choque eléctrico.
- ▶ **Fixe e proteja a ferramenta com argentes ou de uma outra forma numa base estável.** Se segurar a peça a trabalhar apenas com a mão ou se a segurar contra o seu corpo, esta permanece instável, o que poderá dar origem à perda de controlo.

2.3 Normas de segurança adicionais para serras

Segurança física

- ▶ Não introduza as mãos na zona de corte nem toque na própria lâmina de serra. Segure o punho adicional ou a carcaça do motor com a outra mão. Se ambas as mãos segurarem a serra, estas não poderão ser feridas pela serra.
- ▶ Utilize o produto somente se estiver em perfeitas condições técnicas.
- ▶ Nunca efectue quaisquer manipulações ou modificações na ferramenta.
- ▶ Evite o contacto com peças rotativas - Perigo de ferimentos!
- ▶ Também deve usar luvas de protecção durante a substituição de acessórios. Tocar no acessório pode causar ferimentos por corte e queimaduras.
- ▶ Antes de iniciar os trabalhos, apure a classe de perigo do pó gerado. Utilize um aspirador industrial com protecção aprovada e que esteja de acordo com as regulamentações locais sobre emissão de poeiras nocivas para o ambiente. Pós de materiais, como tinta com chumbo, algumas madeiras, betão/alvenaria/rochas quartzíferas, minerais e metal podem ser nocivos para a saúde.
- ▶ Garanta uma boa ventilação do local de trabalho e, se necessário, use uma máscara de protecção respiratória, adequada para o respectivo pó. O contacto ou a inalação do pó podem provocar reacções alérgicas e/ou doenças das vias respiratórias no utilizador ou em pessoas que se encontrem nas proximidades. Material que contenha amianto só pode ser manuseado por pessoal especializado.
- ▶ Não introduza a mão por baixo da peça a cortar.
- ▶ Segure sempre o produto com ambas as mãos nos punhos previstos para o efeito, colocando os braços numa posição em que poderá absorver as forças do contragolpe.
- ▶ Mantenha os punhos secos e limpos.
- ▶ Coloque-se sempre ao lado da lâmina de serra, fazendo com que a lâmina de serra e o próprio corpo nunca se encontrem na mesma linha. Em caso de contragolpe, a serra pode saltar para trás!
- ▶ Se a lâmina de serra encravar ou se interromper os trabalhos, desligue a serra e mantenha-a parada, até que a lâmina fique imobilizada. Nunca tente retirar a lâmina de serra da peça a cortar ou retroceder com a serra enquanto a mesma está em movimento; caso contrário, pode ocorrer um coice.
- ▶ Se pretender fazer arrancar uma serra dentro do material, centre a lâmina na ranhura de corte e verifique se os dentes não estão encravados na peça a cortar.
- ▶ Tenha particular atenção ao cortar em paredes existentes ou noutras áreas não inspecionáveis. Durante a imersão, a lâmina de serra pode ficar bloqueada em objectos encobertos, causando um coice.



Segurança eléctrica

- ▶ Antes de iniciar os trabalhos, verifique o local de trabalho relativamente a cabos eléctricos encobertos, bem como tubos de gás e água. Partes metálicas externas da ferramenta podem causar um choque eléctrico se, inadvertidamente, danificarem uma linha eléctrica.
- ▶ Segure a ferramenta apenas pelas áreas isoladas dos punhos quando executar trabalhos onde o acessório pode encontrar cabos eléctricos encobertos. O contacto com um cabo sob tensão também pode colocar partes metálicas da ferramenta sob tensão e causar um choque eléctrico.

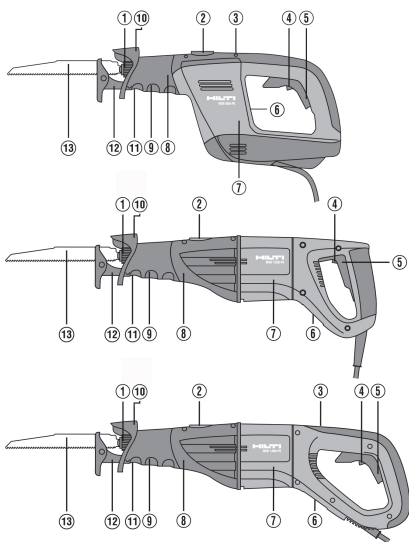
2.4 Normas de segurança adicionais

- ▶ Utilize o produto somente se estiver em perfeitas condições técnicas.
- ▶ Nunca efectue quaisquer manipulações ou modificações no produto.
- ▶ Não utilize lâminas de serra embotadas ou danificadas. Elas provocam uma maior fricção, prisão ou contragolpe da lâmina.
- ▶ Antes de iniciar os trabalhos, verifique o local de trabalho relativamente a cabos eléctricos encobertos, bem como tubos de gás e água. Partes metálicas externas do produto podem causar um choque eléctrico se, inadvertidamente, danificarem uma linha eléctrica.
- ▶ Fixe-a a um suporte estável. Nunca segure a peça a cortar com as mãos ou sobre as pernas.
- ▶ Ligue o produto apenas quando estiver na posição de trabalho.
- ▶ Ao efectuar trabalhos, conduza o produto sempre afastado do corpo.
- ▶ Trabalhe com força de pressão moderada e com velocidade de corte moderada, especialmente, no caso de diâmetros de tubo grandes. Evita-se, assim, um sobreaquecimento do produto.
- ▶ Antes de iniciar o corte de tubos, certifique-se de que os tubos já não contêm líquidos. Se necessário, esvazie-os.
- ▶ Ao cortar tubos mantenha o produto num plano superior à linha de corte. O produto não possui qualquer protecção contra a entrada de humidade. A fuga de líquidos pode causar um curto-circuito no produto.
- ▶ Nunca utilize a serra de sabre para serrar materiais desconhecidos e mantenha a área circundante à linha de corte livre de obstáculos. A lâmina de serra, se embater num objecto, poderá originar um contragolpe sobre o produto.
- ▶ Também deve usar luvas de protecção durante a substituição de acessórios. Tocar no acessório pode causar ferimentos por corte e queimaduras.
- ▶ Observe as instruções do fabricante para manuseamento e arrumação das lâminas de serra.
- ▶ O utilizador e restantes pessoas que se encontrem na proximidade do produto devem usar óculos de protecção, capacete de segurança, protecção auricular, luvas de protecção e máscara de protecção respiratória.
- ▶ Nunca utilize o produto sem o resguardo da mão devidamente colocado. A capa do bloqueio da lâmina / porta-ferramentas não pode ser utilizada como punho. Existe o risco de lesões provocadas pelo bloqueio da lâmina.
- ▶ O produto deve ser pressionado, com a base de suporte, contra a peça a trabalhar. Isto garante um funcionamento eficiente e seguro.
- ▶ Utilize sempre lâminas com comprimento adequado. A lâmina deve projectar-se, durante o seu curso, no mínimo, 40 mm para além da peça a ser trabalhada, para evitar "coices" ao serrar.



3 Descrição

3.1 Vista geral do produto 1



- ① Bloqueio da ferramenta/porta-ferramentas
- ② Selector de acção orbital
- ③ Regulador de velocidades
- ④ Bloqueio de transporte
- ⑤ Interruptor on/off
- ⑥ Placa de características
- ⑦ Motor
- ⑧ Secção da engrenagem
- ⑨ Área frontal do punho (guarda-mão)
- ⑩ Guarda-mão
- ⑪ Patilha de aperto da base de suporte
- ⑫ Base de suporte
- ⑬ Lâmina de serra

3.2 Utilização conforme a finalidade projectada

O produto descrito é uma serra de sabre. Foi concebida para cortar madeira, derivados de madeira, metais e plástico.

O produto foi concebido para uma utilização com ambas as mãos.

3.3 Possível uso incorrecto

Não use a ferramenta para cortar tijolos, betão, betão celular, pedral natural ou telhas.

Não utilize a ferramenta para cortar tubos em que existam líquidos.

3.4 Incluído no fornecimento

Serra de sabre, lâmina de serra, Manual de instruções.



Para um funcionamento seguro, utilize apenas peças sobresselentes e consumíveis originais. Poderá encontrar as peças sobresselentes, consumíveis e acessórios aprovados por nós para o seu produto no seu Centro de Assistência **Hilti** ou em: www.hilti.com

4 Características técnicas

4.1 Serra de sabre



Consulte a tensão nominal, corrente nominal, frequência e potência nominal na sua placa de características específica do país.

Em caso de alimentação por um gerador ou transformador, a respectiva potência de saída mínima deverá corresponder ao dobro da potência nominal indicada na placa de características do aparelho. A tensão de serviço do transformador ou gerador deverá encontrar-se sempre entre +5% e -15% da tensão nominal da ferramenta.



	WSR 900-PE	WSR 1250-PE	WSR 1400-PE
Peso	7,9 lb (3,6 kg)	9,9 lb (4,5 kg)	10,6 lb (4,8 kg)
Número de cursos	0 rpm ... 2 700 rpm	0 rpm ... 2 700 rpm	0 rpm ... 2 700 rpm
Comprimento do curso	1,3 in (32 mm)	1,3 in (32 mm)	1,3 in (32 mm)

5 Utilização

5.1 Colocar a lâmina de serra



Utilize apenas lâminas com encabadouro de 1/2".

1. Verifique se o encabadouro do acessório está limpo e ligeiramente lubrificado.
 - ▶ Se necessário, limpe e lubrifique o encabadouro.
2. Rode e segure o casquilho de bloqueio do porta-ferramentas, no sentido contrário ao dos ponteiros do relógio.
3. Introduza a lâmina no porta-ferramentas.
4. Liberte o casquilho de bloqueio.
 - ▶ O casquilho de bloqueio engata de forma audível.
5. Verifique se a lâmina está encaixada, puxando-a.

5.2 Retirar a lâmina de serra

1. Rode e segure o casquilho de bloqueio do porta-ferramentas, no sentido dos ponteiros do relógio.
2. Retire a lâmina do porta-ferramentas, puxando-a para a frente.
3. Liberte o casquilho de bloqueio.

5.3 Ajustar a base de suporte



A base de suporte pode ser ajustada para, por um lado, otimizar a utilização do comprimento da lâmina e, por outro lado, melhorar a acessibilidade a cantos. A base de suporte engata em intervalos de 6 mm (1/4").

Não ajuste a base de suporte durante o funcionamento.

1. Retire a ficha de rede da tomada.
2. Retire a lâmina de serra. → Página 35
3. Pressione e mantenha pressionado o bloqueio da base de suporte.
4. Empurre a base de suporte para a posição desejada.
5. Solte o bloqueio da base de suporte.
6. Verifique se a base de suporte está engatada, puxando-a.

5.4 Montagem do punho auxiliar

1. Retire a ficha de rede da tomada.
2. Retire a lâmina de serra. → Página 35
3. Monte o adaptador a partir de cima no punho dianteiro.
4. Faça deslizar o punho auxiliar sobre o porta-ferramentas em direção ao adaptador.
5. Fixe o punho auxiliar com o parafuso de fixação.

5.5 Posicionar o punho auxiliar

1. Retire a ficha de rede da tomada.
2. Solte o parafuso de fixação no punho auxiliar.
3. Coloque o punho auxiliar na posição desejada.
4. Fixe o punho auxiliar com o parafuso de fixação.



5.6 Ligar/desligar



AVISO

Risco de ferimentos devido a serra ainda em movimento !

- ▶ Levante o produto da peça a trabalhar somente quando a lâmina estiver parada.
- ▶ Aguarde até que o produto esteja parado, antes de o pousar.

1. Para ligar a serra de sabre, accione o bloqueio do interruptor e o interruptor on/off.
2. Para desligar a serra de sabre, solte o interruptor on/off.

5.7 Ligar e desligar a acção orbital



Através da função "acção orbital" é possível aumentar a performance de corte em determinados materiais, p. ex., em produtos derivados de madeira.

Ligue a acção orbital apenas com o produto parado.

- ▶ Ligue ou desligue a acção orbital, colocando o selector de acção orbital na respectiva posição final.

5.8 Aplicar o adaptador de corte de tubos

1. Retire a ficha de rede da tomada.
2. Retire a lâmina de serra. → Página 35
3. Desmonte a base de suporte, mantendo o bloqueio pressionado e puxando a base de suporte para fora.
4. Insira o adaptador de corte de tubos na guia e monte a lâmina de serra.
5. Verifique se o adaptador de corte de tubos está engatado, puxando-o.
6. Desaperte completamente o parafuso no adaptador de corte de tubos.
7. Coloque a corrente do adaptador em torno da peça e engate a corrente no adaptador.



Entre a serra e o parafuso de aperto deve existir um ângulo de 45°.

5.9 Regular a velocidade



É favor consultar a velocidade recomendada na tabela de aplicação.

1. Rode o regulador de velocidade e ajuste a velocidade entre 1 (pequena) e 6 (grande).
2. Pressione o interruptor on/off.
 - ▶ A ferramenta funcionará à velocidade seleccionada.

5.9.1 Velocidades

Material trabalhado	Velocidade recomendada
Madeira	5-6
Madeira com pregos	5-6
Acabamento de interiores, drywall	3-4
Plástico	3-4
Aço	2-3
Metais não-ferrosos	2-3
Metais leves	2-3
Aço inoxidável	1



5.10 Corte por afundamento 5

AVISO

Risco de ferimentos Perigo de coice.

- ▶ Ao efectuar cortes por afundamento, proteja a área para trás. Use apenas lâminas de corte adequadas (o mais curtas possível).

O corte por afundamento só deve ser usado em materiais macios e com lâminas de serra curtas. Pode utilizar o produto em duas posições de corte por afundamento diferentes: na posição normal ou na posição inversa.

1. Segure o produto com a extremidade frontal da base de suporte AVR contra a peça a trabalhar.
2. Accione o bloqueio de transporte.
3. Pressione o interruptor on/off.
4. Pressione firmemente o produto contra a peça a trabalhar e inicie o movimento de afundamento reduzindo o ângulo de incidência (base de suporte) em relação ao material base.

Certifique-se de que o produto está a trabalhar antes de colocar a lâmina em contacto com o material base. Caso contrário, o produto pode bloquear.

5. Assim que a lâmina tenha atravessado a peça a cortar, coloque novamente o produto na posição de trabalho normal (com a base de suporte totalmente em contacto) e continue a serrar, seguindo a linha de corte.

6 Conservação e manutenção

6.1 Manutenção do produto

- ▶ Mantenha o produto, particularmente as superfícies do punho, seco, limpo e isento de óleo e gordura. Não utilize produtos de limpeza que contenham silicone.
- ▶ Nunca opere o produto com as saídas de ar obstruídas! Limpe as saídas de ar cuidadosamente com uma escova seca. Evite a penetração de corpos estranhos no interior do produto.
- ▶ Limpe regularmente a parte exterior do produto com um pano ligeiramente húmido. Não utilize qualquer pulverizador, aparelho de jacto de vapor ou água corrente para a limpeza!
- ▶ Mantenha o encabadouro da ferramenta sempre limpo e ligeiramente lubrificado.
- ▶ Após cada manutenção da ferramenta, verifique se todos os dispositivos de segurança estão correctamente montados e perfeitamente operacionais.
- ▶ Em caso de assistência ou reparação, dirija-se ao seu vendedor consultor ou consulte os dados de contacto em www.hilti.com.

7 Ajuda em caso de avarias

No caso de avarias que não sejam mencionadas nesta tabela ou se não conseguir resolvê-las por si mesmo, contacte o nosso Centro de Assistência Técnica **Hilti**.

7.1 Localização de avarias

Avaria	Causa possível	Solução
O aparelho não arranca.	Avaria na rede eléctrica	▶ Insira outra ferramenta eléctrica e verifique o funcionamento.
	Cabo de rede ou ficha com defeito.	▶ Mande reparar a ferramenta apenas em Centros de Assistência Técnica Hilti .
	Interruptor avariado.	▶ Mande reparar a ferramenta apenas em Centros de Assistência Técnica Hilti .



Avaria	Causa possível	Solução
Fraca performance da ferramenta.	Extensão de cabo demasiado comprida ou com secção insuficiente.	▶ Utilize apenas extensões de cabo aprovadas para o tipo de aplicação em causa e com a secção adequada.
	O interruptor on/off não foi totalmente pressionado.	▶ Pressione completamente o interruptor on/off.
É impossível remover a lâmina de serra do porta-ferramentas.	O casquilho de bloqueio não foi rodado até ao batente.	▶ Rode o casquilho de bloqueio até ao batente e retire a lâmina de serra.
Acção orbital não funciona.	O selector de acção orbital não se encontra na posição de acção orbital.	▶ Colocar o selector de acção orbital na posição de acção orbital. A acção orbital só é perceptível enquanto está a serrar.
Não é possível retirar a base de suporte ou o adaptador de corte de tubos.	A lâmina não permite.	▶ Retire a lâmina de serra e, em seguida, a base de suporte.
	Tecla de premir não está completamente pressionada.	▶ Pressionar a tecla de premir por completo e retirar a lâmina de serra.

8 Reciclagem

As ferramentas **Hilti** são, em grande parte, fabricadas com materiais recicláveis. Um pré-requisito para a reciclagem é que esses materiais sejam devidamente separados. Em muitos países, a **Hilti** aceita a sua ferramenta usada para reutilização. Para mais informações dirija-se ao Serviço de Clientes **Hilti** ou ao seu vendedor.



- ▶ Não deite as ferramentas eléctricas, aparelhos electrónicos e baterias no lixo doméstico!

9 Garantia do fabricante

- ▶ Em caso de dúvidas quanto às condições de garantia, contacte o seu parceiro **Hilti** local.



This Product is Certified
Ce produit est homologué
Producto homologado por
Este producto está registrado





Hilti Corporation
LI-9494 Schaan
Tel.:+423 234 21 11
Fax:+423 234 29 65
www.hilti.group



376750