

# HILTI

## DAG 700-P

Operating instructions

en

Mode d'emploi

fr

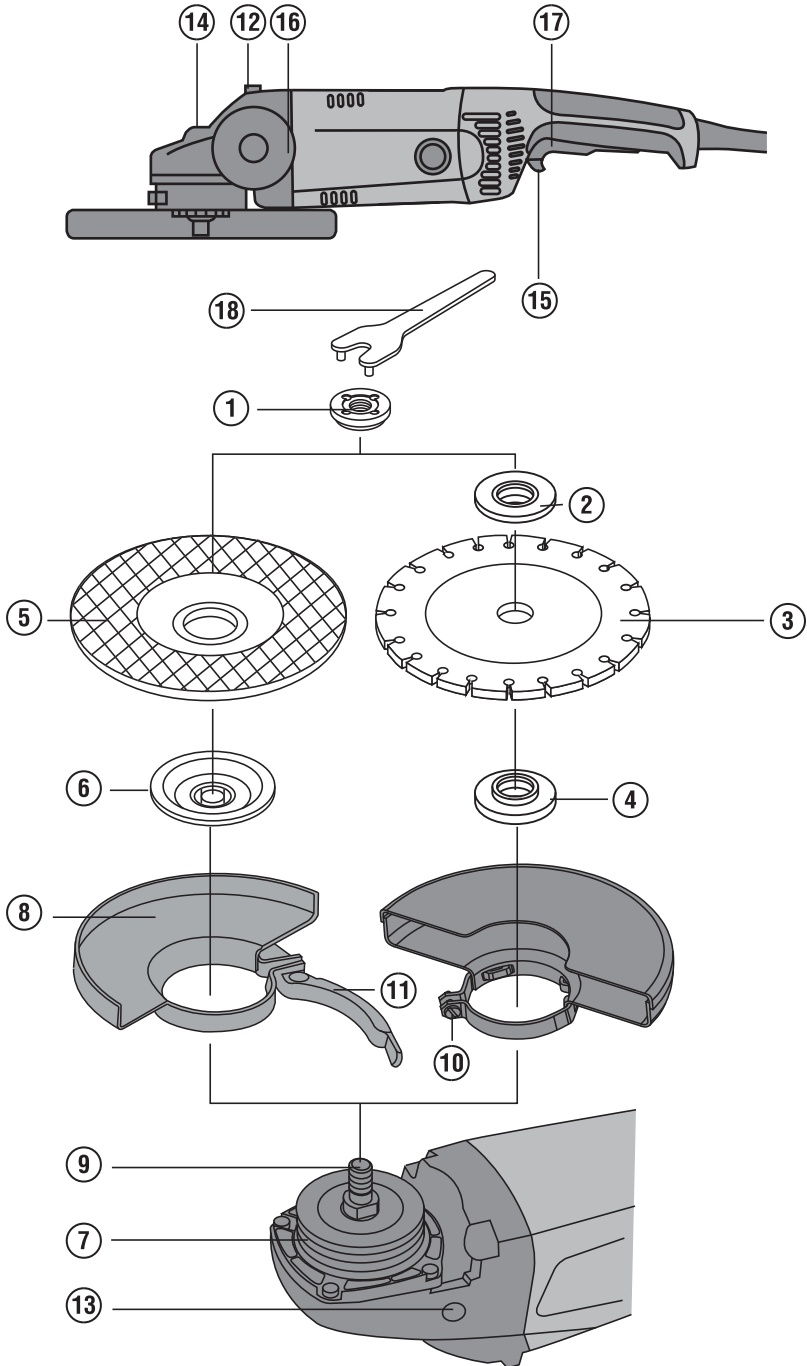
Manual de instrucciones

es

Manual de instruções

pt

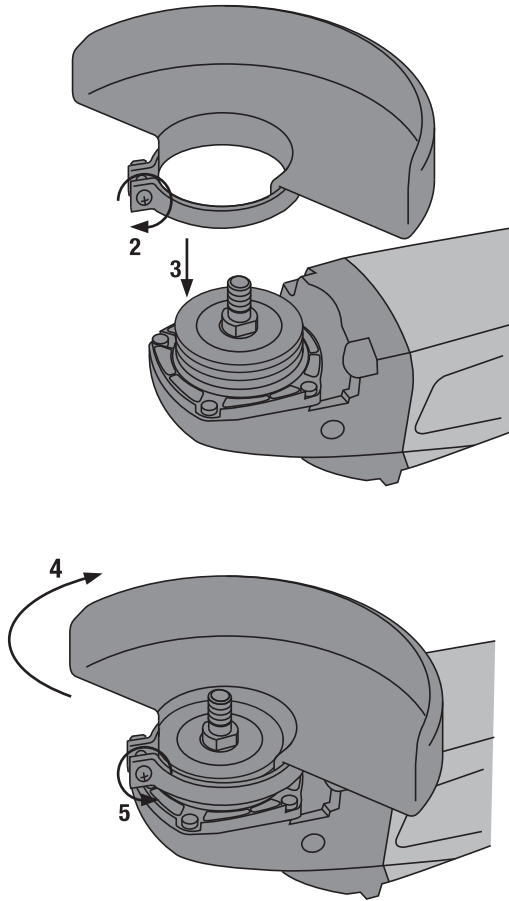




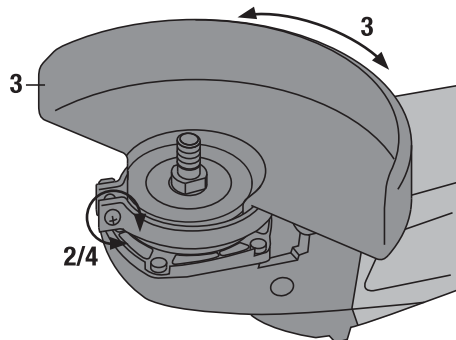
This Product is Certified  
Ce produit est homologué  
Producto homologado por  
Este producto está registrado



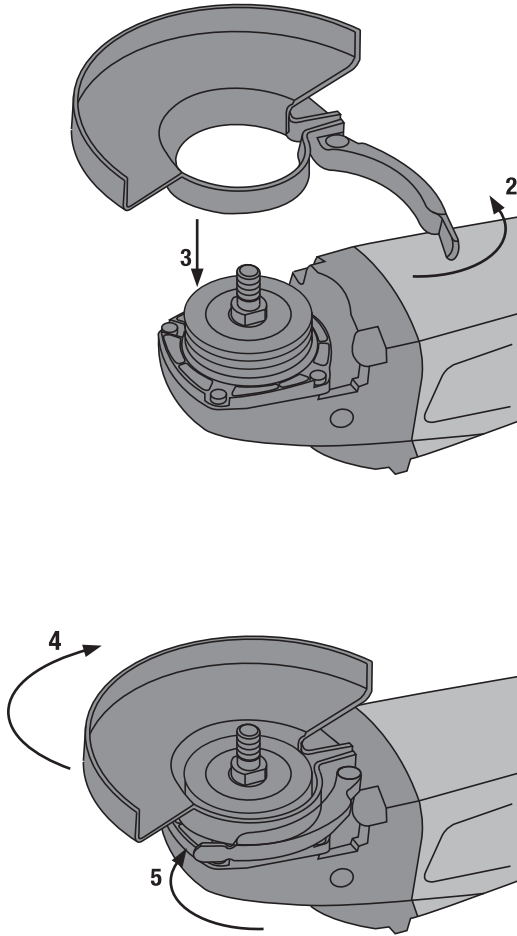
2



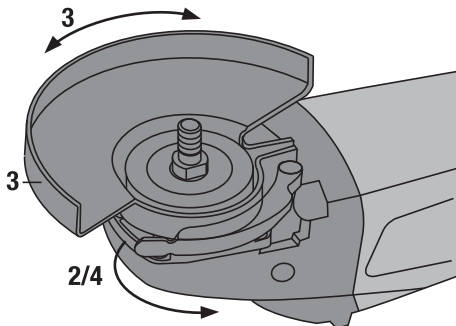
3



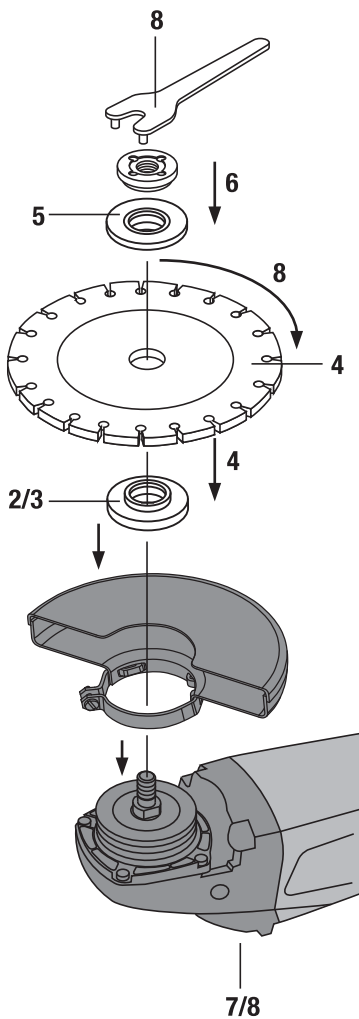
4



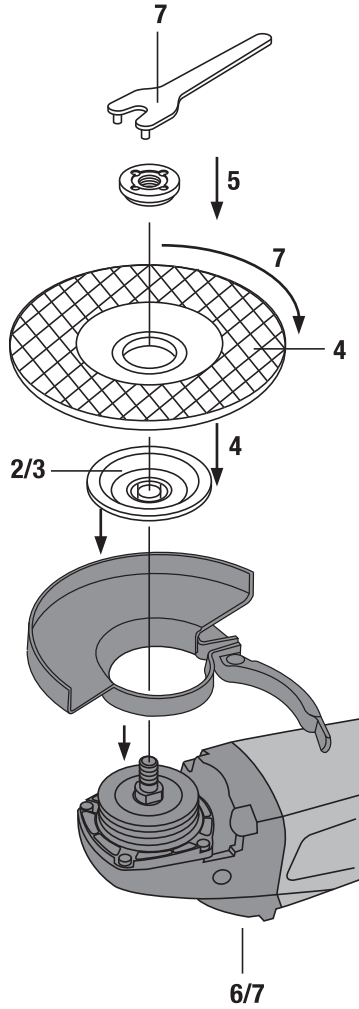
5



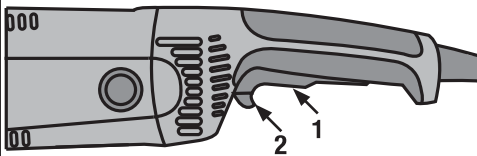
6



7



8



# ORIGINAL OPERATING INSTRUCTIONS

## DAG 700-P angle grinder

**It is essential that the operating instructions are read before the power tool is operated for the first time.**

**Always keep these operating instructions together with the power tool.**

**Ensure that the operating instructions are with the power tool when it is given to other persons.**

Contents	Page
1 General information	1
2 Safety instructions	2
3 Description	6
4 Technical data	8
5 Before use	8
6 Operation	9
7 Care and maintenance	10
8 Insert tools, accessories	11
9 Troubleshooting	11
10 Disposal	11
11 Manufacturer's warranty - tools	12

**1** These numbers refer to the corresponding illustrations. The illustrations can be found on the fold-out cover pages. Keep these pages open while studying the operating instructions.

In these operating instructions, the designation "the power tool" always refers to the DAG 700-P angle grinder.

### Parts, operating controls and indicators **1**

- ① Clamping nut
- ② Outer clamping flange for flat discs
- ③ Flat disc
- ④ Inner clamping flange for flat discs
- ⑤ Offset disc
- ⑥ Clamping flange for offset discs
- ⑦ Keyed locating lug
- ⑧ Guard
- ⑨ Spindle
- ⑩ Adjusting screw
- ⑪ Clamping lever
- ⑫ Steadying rib
- ⑬ Threaded bushing for grip
- ⑭ Drive spindle lockbutton
- ⑮ Side handle
- ⑯ Lockable on / off switch
- ⑰ Wrench

en

## 1 General information

### 1.1 Safety notices and their meaning

#### DANGER

Draws attention to imminent danger that will lead to serious bodily injury or fatality.

#### WARNING

Draws attention to a potentially dangerous situation that could lead to serious personal injury or fatality.

#### CAUTION

Draws attention to a potentially dangerous situation that could lead to slight personal injury or damage to the equipment or other property.

#### NOTE

Draws attention to an instruction or other useful information.

### 1.2 Explanation of the pictograms and other information

#### Warning signs



General warning



Warning: electricity



## Obligation signs



Wear eye protection



Wear a hard hat



Wear ear protection



Wear protective gloves



Wear breathing protection

## Symbols



Read the operating instructions before use



Return waste material for recycling.

V

Volts

A

Amps

Hz

Hertz



Alternating current

n

Rated speed

/min

Revolutions per minute

RPM

Revolutions per minute



Diameter



Double insulated

## Location of identification data on the power tool

The type designation and serial number can be found on the type identification plate on the machine or tool. Make a note of this data in your operating instructions and always refer to it when making an enquiry to your Hilti representative or service department.

Type:

Generation: 01

Serial no.:

## 2 Safety instructions

### 2.1 General safety rules

- a) **Warning! Read and understand all instructions.** Failure to follow all instructions listed below may result in electric shock, fire and/or serious personal injury. **SAVE THESE INSTRUCTIONS.**

#### 2.1.1 Work area

- a) **Keep your work area clean and well lit.** Cluttered benches and dark areas invite accidents.
- b) **Do not operate power tools in explosive atmospheres, such as in the presence of flammable liquids, gases or dust.** Power tools create sparks which may ignite the dust or fumes.
- c) **Keep bystanders, children and visitors away while operating a power tool.** Distractions can cause you to lose control.

### 2.1.2 Electrical safety

- a) **Double-Insulated tools are equipped with a polarized plug (one blade is wider than the other). This plug will fit in a polarized outlet only one way. If the plug does not fit fully in the outlet, reverse the plug. If it still does not fit, contact a qualified electrician to install a polarized outlet. Do not change the plug in any way.** Double Insulation eliminates the need for the three-wire grounded power cord and grounded power supply system.
- b) **Avoid body contact with grounded surfaces such as pipes, radiators, ranges and refrigerators.** There is an increased risk of electric shock if your body is grounded.
- c) **Don't expose power tools to rain or wet conditions.** Water entering a power tool will increase the risk of electric shock.

- d) **Do not abuse the cord. Never use the cord to carry the tools or pull the plug from an outlet. Keep cord away from heat, oil, sharp edges or moving parts. Replace damaged cords immediately.** Damaged cords increase the risk of electric shock.
- e) **When operating a power tool outside, use an outdoor extension cord marked “W-A” or “W”.** These cords are rated for outdoor use and reduce the risk of electric shock.

### 2.1.3 Personal safety

- a) **Stay alert, watch what you are doing and use common sense when operating a power tool. Do not use tool while tired or under the influence of drugs, alcohol or medication.** A moment of inattention while operating power tools may result in serious personal injury.
- b) **Dress properly. Do not wear loose clothing or jewelry. Contain long hair. Keep your hair, clothing and gloves away from moving parts.** Loose clothes, jewelry or long hair can be caught in moving parts.
- c) **Avoid accidental starting. Be sure switch is off before plugging in.** Carrying tools with your finger on the switch or plugging in tools that have the switch on invites accidents.
- d) **Remove adjusting keys or switches before turning the tool on.** A wrench or a key that is left attached to a rotating part of the tool may result in personal injury.
- e) **Do not overreach. Keep proper footing and balance at all times.** Proper footing and balance enables better control of the tool in unexpected situations.
- f) **Use safety equipment. Always wear eye protection.** Dust mask, non-skid safety shoes, hard hat or hearing protection must be used for appropriate conditions.

### 2.1.4 Tool use and care

- a) **Use clamps or other practical way to secure and support the workpiece to a stable platform.** Holding the work by hand or against your body is unstable and may lead to loss of control.
- b) **Do not force tool. Use the correct tool for your application.** The correct tool will do the job better and safer at the rate for which it is designed.
- c) **Do not use tool if switch does not turn it on or off.** Any tool that cannot be controlled with the switch is dangerous and must be repaired.
- d) **Disconnect the plug from the power source before making any adjustments, changing accessories, or storing the tool.** Such preventive safety measures reduce the risk of starting the tool accidentally.
- e) **Store idle tools out of reach of children and other untrained persons.** Tools are dangerous in the hands of untrained users.
- f) **Maintain tools with care. Keep cutting tools sharp and clean.** Properly maintained tools with sharp cutting edges are less likely to bind and are easier to control.
- g) **Check for misalignment or binding of moving parts, breakage of parts and any other condition**

that may affect the tool's operation. If damaged, have the tool serviced before using. Many accidents are caused by poorly maintained tools.

- h) **Use only accessories that are recommended by the manufacturer for your model.** Accessories that may be suitable for one tool may become hazardous when used on another tool.

### 2.1.5 Service

- a) **Tool service must be performed only by qualified repair personnel.** Service or maintenance performed by unqualified personnel could result in a risk of injury.
- b) **When servicing a tool, use only identical replacement parts. Follow instructions in the Maintenance section of this manual.** Use of unauthorized parts or failure to follow Maintenance Instructions may create a risk of electric shock or injury.

### 2.2 Specific safety rules

- a) **Always use proper guard with grinding wheel.** A guard protects operator from broken wheel fragments.
- b) **Accessories must be rated for at least the speed recommended on the tool warning label.** Wheels and other accessories running over rated speed can fly apart and cause injury.
- c) **Hold tool by insulated gripping surfaces when performing an operation where the cutting tool may contact hidden wiring or its own cord.** Contact with a “live” wire will make exposed metal parts of the tool “live” and shock the operator.

### 2.3 Safety warnings common for grinding, danding, wire brushing, polishing or abrasive cutting-off operations

- a) **This power tool is intended to function as a grinder, sander, wire brush or cut-off tool. Read all safety warnings, instructions, illustrations and specifications provided with this power tool.** Failure to follow all instructions listed below may result in electric shock, fire and/or serious injury.
- b) **Operations such polishing are not recommended to be performed with this power tool** Operations for which the power tool was not designed may create a hazard and cause personal injury.
- c) **Do not use accessories which are not specifically designed and recommended by the tool manufacturer.** Just because the accessory can be attached to your power tool, it does not assure safe operation.
- d) **The rated speed of the accessory must be at least equal to the maximum speed marked on the power tool.** Accessories running faster than their rated speed can break and fly apart.
- e) **The outside diameter and the thickness of your accessory must be within the capacity rating of your power tool.** Incorrectly sized accessories cannot be adequately guarded or controlled.
- f) **The arbour size of wheels, flanges, backing pads or any other accessory must properly fit the spindle of the power tool.** Accessories with arbour holes that do not match the mounting hardware of the

power tool will run out of balance, vibrate excessively and may cause loss of control.

- en
- g) **Do not use a damaged accessory. Before each use inspect the accessory such as abrasive wheels for chips and cracks, backing pad for cracks, tear or excess wear, wire brush for loose or cracked wires. If power tool or accessory is dropped, inspect for damage or install an undamaged accessory. After inspecting and installing an accessory, position yourself and bystanders away from the plane of the rotating accessory and run the power tool at maximum no-load speed for one minute.** Damaged accessories will normally break apart during this test time.
  - h) **Wear personal protective equipment. Depending on application, use face shield, safety goggles or safety glasses. As appropriate, wear dust mask, hearing protectors, gloves and workshop apron capable of stopping small abrasive or workpiece fragments. The eye protection must be capable of stopping flying debris generated by various operations.** The eye protection must be capable of stopping flying debris generated by various operations. The dust mask or respirator must be capable of filtering particles generated by your operation. Prolonged exposure to high intensity noise may cause hearing loss.
  - i) **Keep bystanders a safe distance away from work area. Anyone entering the work area must wear personal protective equipment.** Fragments of workpiece or of a broken accessory may fly away and cause injury beyond immediate area of operation.
  - j) **Hold the power tool by insulated gripping surfaces only, when performing an operation where the cutting accessory may contact hidden wiring or its own cord.** Cutting accessory contacting a "live" wire may make exposed metal parts of the power tool "live" and could give the operator an electric shock.
  - k) **Position the cord clear of the spinning accessory.** If you lose control, the cord may be cut or snagged and your hand or arm may be pulled into the spinning accessory.
  - l) **Never lay the power tool down until the accessory has come to a complete stop.** The spinning accessory may grab the surface and pull the power tool out of your control.
  - m) **Do not run the power tool while carrying it at your side.** Accidental contact with the spinning accessory could snag your clothing, pulling the accessory into your body.
  - n) **Regularly clean the power tool's air vents.** The motor's fan will draw the dust inside the housing and excessive accumulation of powdered metal may cause electrical hazards.
  - o) **Do not operate the power tool near flammable materials.** Sparks could ignite these materials.
  - p) **Do not use accessories that require liquid coolants.** Using water or other liquid coolants may result in electrocution or shock.

## 2.4 Kickback and related warnings

Kickback is a sudden reaction to a pinched or snagged rotating wheel, backing pad, brush or any other accessory. Pinching or snagging causes rapid stalling of the rotating accessory which in turn causes the uncontrolled power tool to be forced in the direction opposite of the accessory's rotation at the point of the binding.

For example, if an abrasive wheel is snagged or pinched by the workpiece, the edge of the wheel that is entering into the pinch point can dig into the surface of the material causing the wheel to climb out or kick out. The wheel may either jump toward or away from the operator, depending on direction of the wheel's movement at the point of pinching. Abrasive wheels may also break under these conditions.

Kickback is the result of power tool misuse and/or incorrect operating procedures or conditions and can be avoided by taking proper precautions as given below.

- a) **Maintain a firm grip on the power tool and position your body and arm to allow you to resist kickback forces. Always use auxiliary handle, if provided, for maximum control over kickback or torque reaction during start-up.** The operator can control torque reactions or kickback forces, if proper precautions are taken.
- b) **Never place your hand near the rotating accessory.** Accessory may kickback over your hand.
- c) **Do not position your body in the area where power tool will move if kickback occurs.** Kickback will propel the tool in direction opposite to the wheel's movement at the point of snagging.
- d) **Use special care when working corners, sharp edges etc. Avoid bouncing and snagging the accessory.** Corners, sharp edges or bouncing have a tendency to snag the rotating accessory and cause loss of control or kickback.
- e) **Do not attach a saw chain woodcarving blade or toothed saw blade.** Such blades create frequent kickback and loss of control.

## 2.5 Safety warnings specific for grinding and abrasive cutting-off operations

- a) **Use only wheel types that are recommended for your power tool and the specific guard designed for the selected wheel.** Wheels for which the power tool was not designed cannot be adequately guarded and are unsafe.
- b) **The guard must be securely attached to the power tool and positioned for maximum safety, so the least amount of wheel is exposed towards the operator.** The guard helps to protect operator from broken wheel fragments, accidental contact with wheel and sparks that could ignite clothing.
- c) **Wheels must be used only for recommended applications. For example: do not grind with the side of cut-off wheel.** Abrasive cut-off wheels are intended for peripheral grinding, side forces applied to these wheels may cause them to shatter.

- d) **Always use undamaged wheel flanges that are of correct size and shape for your selected wheel.** Proper wheel flanges support the wheel thus reducing the possibility of wheel breakage. Flanges for cut-off wheels may be different from grinding wheel flanges.
- e) **Do not use worn down wheels from larger power tools.** Wheel intended for larger power tool is not suitable for the higher speed of a smaller tool and may burst.

## 2.6 Additional safety warnings specific for abrasive cutting-off operations

- a) **Do not jam<sup>2</sup> the cut-off wheel or apply excessive pressure. Do not attempt to make an excessive depth of cut.** Overstressing the wheel increases the loading and susceptibility to twisting or binding of the wheel in the cut and the possibility of kickback or wheel breakage.
- b) **Do not position your body in line with and behind the rotating wheel.** When the wheel, at the point of operation, is moving away from your body, the possible kickback may propel the spinning wheel and the power tool directly at you.
- c) **When wheel is binding or when interrupting a cut for any reason, switch off the power tool and hold the power tool motionless until the wheel comes to a complete stop. Never attempt to remove the cut-off wheel from the cut while the wheel is in motion otherwise kickback may occur.** Investigate and take corrective action to eliminate the cause of wheel binding.
- d) **Do not restart the cutting operation in the workpiece. Let the wheel reach full speed and carefully reenter the cut.** The wheel may bind, walk up or kickback if the power tool is restarted in the workpiece.
- e) **Support panels or any oversized workpiece to minimize the risk of wheel pinching and kickback.** Large workpieces tend to sag under their own weight. Supports must be placed under the workpiece near the line of cut and near the edge of the workpiece on both sides of the wheel.
- f) **Use extra caution when making a "pocket cut" into existing walls or other blind areas.** The protruding wheel may cut gas or water pipes, electrical wiring or objects that can cause kickback.

## 2.7 Additional safety instructions for sanding operations

- a) **Do not use excessively oversized sanding disc paper. Follow manufacturers recommendations, when selecting sanding paper.** Larger sanding paper extending beyond the sanding pad presents a laceration hazard and may cause snagging, tearing of the disc or kickback.

## 2.8 Safety warnings specific for wire brushing operations

- a) **Be aware that wire bristles are thrown by the brush even during ordinary operation. Do not overstress the wires by applying excessive load**

to the brush. The wire bristles can easily penetrate light clothing and/or skin.

- b) **If the use of a guard is recommended for wire brushing, do not allow any interference of the wire wheel or brush with the guard.** Wire wheel or brush may expand in diameter due to work load and centrifugal forces.

## 2.9 Additional safety instructions

### 2.9.1 Personal safety

- a) **Wear ear protectors.** Exposure to noise can cause hearing loss.
- b) **Always hold the power tool securely with both hands on the grips provided. Keep the grips dry, clean and free from oil and grease.**
- c) **Breathing protection must be worn if the power tool is used without a dust removal system for work that creates dust.**
- d) **Improve the blood circulation in your fingers by relaxing your hands and exercising your fingers during breaks between working.**
- e) **Avoid touching rotating parts. Switch the power tool on only after bringing it into position at the workpiece.** Touching rotating parts, especially rotating insert tools, may lead to injury.
- f) **Always lead the supply cord and extension cord away from the power tool to the rear while working.** This helps to avoid tripping over the cord while working.
- g) **Children must be instructed not to play with the power tool.**
- h) **The power tool is not intended for use by children, by debilitated persons or those who have received no instruction or training.**
- i) **WARNING: Some dust created by grinding, sanding, cutting and drilling contains chemicals known to cause cancer, birth defects, infertility or other reproductive harm; or serious and permanent respiratory or other injury.** Some examples of these chemicals are: lead from lead-based paints, crystalline silica from bricks, concrete and other masonry products and natural stone, arsenic and chromium from chemically-treated lumber. Your risk from these exposures varies, depending on how often you do this type of work. **To reduce exposure to these chemicals, the operator and bystanders should work in a well-ventilated area, work with approved safety equipment, such as respiratory protection appropriate for the type of dust generated, and designed to filter out microscopic particles and direct dust away from the face and body. Avoid prolonged contact with dust. Wear protective clothing and wash exposed areas with soap and water.** Allowing dust to get into your mouth, eyes, or to remain on your skin may promote absorption of harmful chemicals.

### 2.9.2 Power tool use and care

- a) **Grinding discs must be stored and handled carefully in accordance with the manufacturer's instructions.**

- b) Check that the grinding disc is fitted in accordance with the manufacturer's instructions.
- c) If use of a spacer ring or other intermediate part is specified and the part is supplied with the grinding disc, check to ensure that the part is fitted.
- d) Never use the power tool without the guard.
- e) The workpiece must be fixed securely in place.
- f) Do not use cutting discs for grinding.
- g) After disc breakage, or if the power tool is dropped, falls or suffers other mechanical damage, it must be checked at a Hilti Service Center.
- h) Take steps to ensure that flying sparks from the power tool do not present a hazard, i.e. by striking yourself or other persons. Adjust the position of the guard accordingly.
- i) In case of an interruption in the electric supply: Switch the power tool off and unplug the supply cord. This will prevent accidental restarting when the electric power returns.

### 2.9.3 Electrical safety



- a) Before beginning work, check the working area (e.g. using a metal detector) to ensure that no concealed electric cables or gas and water pipes are present. External metal parts of the power tool may become live, for example, when an electric cable is damaged accidentally. This presents a serious risk of electric shock.
- b) Check the power tool's supply cord at regular intervals and have it replaced by a qualified specialist if found to be damaged. If the power tool's supply cord is damaged it must be replaced with a specially-prepared supply cord available from Hilti Customer Service. Check extension cords at regular intervals and replace them if found to be damaged. Do not touch the supply cord or

- extension cord if it is damaged while working. Disconnect the supply cord plug from the power outlet. Damaged supply cords or extension cords present a risk of electric shock.
- c) Dirty or dusty power tools which have been used frequently for work on conductive materials should be checked at regular intervals at a Hilti Service Center. Under unfavorable circumstances, dampness or dust adhering to the surface of the power tool, especially dust from conductive materials, may present a risk of electric shock.
- d) When working outdoors with an electric tool check to ensure that the tool is connected to the electric supply by way of a ground fault circuit interrupter (GFCI) with a rating of max. 30 mA (tripping current). Use of a ground fault circuit interrupter reduces the risk of electric shock.
- e) Use of a ground fault circuit interrupter (GFCI) with a maximum tripping current of 30 mA is recommended.

### 2.9.4 Work area

- a) Ensure that the workplace is well lit.
- b) Ensure that the workplace is well ventilated. Exposure to dust at a poorly ventilated workplace may result in damage to the health.

### 2.9.5 Personal protective equipment



The user and any other persons in the vicinity must wear ANSI Z87.1-approved eye protection, a hard hat, ear protection, protective gloves and breathing protection while the power tool is in use.

## 3 Description

### 3.1 Use of the product as directed

The power tool is an electrically-powered angle grinder for professional use in the construction industry. The power tool is designed for cutting, grinding and brushing metal or mineral materials (concrete, stone, etc.) without use of water.

Observe the information printed in the operating instructions concerning operation, care and maintenance.

Working with metals: Cutting, rough grinding, fine grinding, brushing

Working with mineral materials: Cutting, slitting and grinding.

Use only grinding or cutting discs of max. 7" in diameter that are approved for use at a spindle speed of at least 8500 /min and with a permissible peripheral speed of 80m/sec.

To avoid the risk of injury, use only genuine Hilti accessories and insert tools.

Working on materials hazardous to the health (e.g. asbestos) is not permissible.

Nationally applicable industrial safety regulations must be observed.

Modification of the power tool or tampering with its parts is not permissible.

The power tool may be operated only when connected to a power supply providing a voltage and frequency in compliance with the information given on its type identification plate.

The working environment may be as follows: construction site, workshop, renovation, conversion or new construction. The power tool is designed for professional use and may be operated, serviced and maintained only by trained, authorized personnel. This personnel must be informed of any special hazards that may be encountered. The power tool and its ancillary equipment may present hazards when used incorrectly by untrained personnel or when used not as directed.

Take the influences of the surrounding area into account. Do not use the power tool or appliance where there is a risk of fire or explosion.

**3.2 Grips**

Side handle

**3.3 Switches**

Lockable on / off switch

**3.4 Items supplied as standard include:**

- 1 Power tool
- 1 Guard
- 1 Side handle
- 1 Clamping flange for offset discs
- 1 Clamping nut
- 1 Wrench
- 1 Operating instructions
- 1 Cardboard box

**3.5 Using extension cords**

Use only extension cords of a type approved for the application and with conductors of adequate cross section. The power tool may otherwise loose performance and the extension cord may overheat. Check the extension cord for damage at regular intervals. Replace damaged extension cords.

**Recommended minimum conductor cross section and max. cord lengths**

Conductor cross section	14 AWG	12 AWG
Mains voltage 110-120 V	75 ft	125 ft

Do not use extension cords with 16 AWG conductor cross section.

**3.6 Using extension cords outdoors**

When working outdoors, use only extension cords that are approved and correspondingly marked for this application.

**3.7 Using a generator or transformer**

This power tool may be powered by a generator or transformer when the following conditions are fulfilled: The unit must provide a power output in watts of at least twice the value printed on the type identification plate on the power tool. The operating voltage must remain within +5% and -15% of the rated voltage at all times, frequency must be in the 50 – 60 Hz range and never above 65 Hz, and the unit must be equipped with automatic voltage regulation and starting boost.

Never operate other power tools or appliances from the generator or transformer at the same time. Switching other power tools or appliances on and off may cause undervoltage and / or overvoltage peaks, resulting in damage to the power tool.

**3.8 Guard with cover plate**

**CAUTION**

**When grinding with straight grinding discs and cutting with cutting discs in metalworking applications, use only the guard with cover plate.** This is available as an optional accessory.

## 4 Technical data

Right of technical changes reserved.

Power tool	DAG 700-P
Rated voltage	120 V
Rated current input	15 A
Rated frequency	60 Hz
Rated speed	8,500/min
Cutting disc	Diameter 7"
Dimensions (L x H x W) without hood	473 mm (18.62") x 136 mm (5.35") x 105 mm (4.13")
Weight of power tool	5.7 kg (12.57 lb)

### Information about the power tool and its applications

Drive spindle thread (arbor size)	5/8"-11
Spindle length	3/4"
Protection class	Protection class II (double insulated)

## 5 Before use



### WARNING

Never use the power tool without the guard.

#### 5.1 Fitting the side handle

### WARNING

The side handle must be fitted for all types of work.

The side handle may be screwed onto the left, right or top side of the power tool.

#### 5.2 Guard

### CAUTION

The closed side of the guard must always face the operator.

### NOTE

The keyed locating lug on the guard ensures that only a guard designed for use with the power tool can be fitted. The keyed locating lug also prevents the guard from coming into contact with the disc.

#### 5.2.1 Fitting and removing the guard 2

1. Disconnect the supply cord plug from the power outlet.
2. Fit the guard so that the locating lug engages in the notch in the spindle collar and then rotate it into the required working position.
3. Secure the guard by tightening the screw.

4. To remove the guard from the power tool, follow the instructions for fitting the guard but carry out the steps in the reverse order.

#### 5.2.2 Adjusting the guard 3

1. Disconnect the supply cord plug from the power outlet.
2. Slacken the screw.
3. Rotate the guard to the desired position.
4. Secure the guard by tightening the screw.

#### 5.2.3 Fitting and removing the guard (keyless) 4

### NOTE

The guard is already set to the correct tension by way of the adjusting screw. If the tension is found to be too low when the guard is fitted, the adjusting nut can be tightened slightly to increase the tension.

1. Disconnect the supply cord plug from the power outlet.
2. Release the clamping lever.
3. Fit the guard onto the spindle collar so that the keyed locating lug engages in the recess provided.
4. Rotate the guard to the required position.
5. Secure the guard by closing the clamping lever.
6. To remove the guard from the power tool, follow the instructions for fitting the guard but carry out the steps in the reverse order.

#### 5.2.4 Adjusting the guard (keyless) 5

1. Disconnect the supply cord plug from the power outlet.
2. Release the clamping lever.

3. Rotate the guard to the desired position.
4. Close the clamping lever.

### 5.3 Fitting discs

#### DANGER

Check that the speed rating printed on the cutting or grinding disc is equal to or higher than the rated speed of the power tool.

#### DANGER

Check the condition of the grinding disc before using it. Do not use discs that are broken, cracked or damaged in any way.

#### DANGER

Do not use discs larger than 7" in diameter.

#### 5.3.1 Fitting flat discs

#### CAUTION

When grinding with straight grinding discs and cutting with cutting discs in metalworking applications, use only the guard with cover plate. This is available as an optional accessory.

#### WARNING

Use of a flat disc with an offset clamping flange may lead to breakage of the disc.

1. Disconnect the supply cord plug from the power outlet.
2. Clean the clamping flange for flat discs.
3. Place the clamping flange for flat discs on the drive spindle.
4. Fit the flat disc.
5. Place the outer clamping flange for flat discs on the drive spindle.
6. Screw on the clamping nut and tighten it.
7. **CAUTION Do not press the spindle lockbutton before the drive spindle has stopped rotating.** Press the spindle lockbutton and hold it in this position.
8. Use the wrench to tighten the clamping nut securely and then release the spindle lockbutton.

#### 5.3.2 Fitting offset discs

#### WARNING

Use of a flat disc with an offset clamping flange may lead to breakage of the disc.

1. Disconnect the supply cord plug from the power outlet.
2. Clean the clamping flange for offset discs.
3. Place the clamping flange for offset discs on the drive spindle.
4. Fit the offset disc.
5. Screw on the clamping nut and tighten it.
6. **CAUTION Do not press the spindle lockbutton before the drive spindle has stopped rotating.** Press the spindle lockbutton and hold it in this position.
7. Use the wrench to tighten the clamping nut securely and then release the spindle lockbutton.

## 6 Operation



#### NOTE

Adjust the position of the guard to suit the requirements of the work being done.

#### DANGER

Wear ear protectors. Exposure to noise can cause hearing loss.

#### CAUTION

The closed side of the guard must always face the operator.

#### WARNING

Test new cutting or grinding discs by allowing them to run at maximum speed in a protected area for at least 30 seconds.

#### WARNING

Slits cut in loadbearing walls of buildings or other structures may influence the statics of the structure, especially when steel reinforcing bars or load-bearing components are cut through. **Consult the structural engineer, architect, or person in charge of the building project before beginning the work.**

#### WARNING

The electric supply voltage must comply with the information given on the type identification plate on the power tool.

#### WARNING

Always use the side handle with the power tool.

#### CAUTION

Use clamps or a vice to hold the workpiece securely.



## WARNING

Cutting or grinding may cause splintering of the material.  
**Wear eye protection.**

## CAUTION

**Breathing protection must be worn if the power tool is used without a dust removal system for work that creates dust.**

## WARNING

**Avoid touching rotating parts. Switch the power tool on only after bringing it into position at the workpiece.** Touching rotating parts, especially rotating insert tools, may lead to injury.

## CAUTION

The insert tool may get hot during use. **Wear protective gloves when changing insert tools.**

## WARNING

**Reduce the load on the power tool by avoiding tilting the disc in the kerf when cutting.** The disc may otherwise break, or the power tool may kick back or stall.

## CAUTION

**Improve the blood circulation in your fingers by relaxing your hands and exercising your fingers during breaks between working.**

## WARNING

**Keep inflammable materials away from the working area.**

### 6.1 Switching on / off with a lockable switch

#### 6.1.1 Switching on and locking the switch

1. Plug the supply cord into the power outlet.
2. Press the on / off switch and then press the lock-button.

### 6.1.2 Switching off after locking the switch

Press the on / off switch (the lock releases).

### 6.2 Working with the power tool

#### NOTE

Apply only moderate pressure.

#### NOTE

The direction in which the cut is made is important. The disc must always cut in counter-rotating mode. Failure to observe this point presents a risk of the cutting disc being forced uncontrollably out of the kerf.

#### NOTE

Special discs should be used for working on non-ferrous metals (e.g. aluminium).

#### NOTE

The cutting disc may overheat and suffer damage when cutting very hard mineral materials with a high hard pebble content. A trail of sparks right round the circumference of the cutting disc is a sure indication of this. In this case, the cutting operation should be interrupted and the cutting disc allowed to cool by running the power tool under no load for a short time.

#### NOTE

A decrease in the rate of cutting progress may be an indication of blunt/dull segments. The segments can be resharpened by making a few cuts in an abrasive material (Hilti sharpening plate or sand-lime block).

### 6.3 Rough grinding

#### CAUTION

**Never use cutting discs for grinding.**

When rough grinding, maximum efficiency is achieved when the power tool is held with the disc at an angle of 30° to the work surface. Excessive pressure applied while grinding will damage the power tool, increase disc wear and reduce grinding efficiency.

## 7 Care and maintenance

### CAUTION

**Disconnect the mains plug from the power outlet.**

#### 7.1 Care of the power tool

#### DANGER

Under extreme conditions, when used for working on metal, conductive dust may accumulate inside the tool. This may have an adverse effect on the tool's protective insulation. **Under such conditions, the tool should be plugged into a ground fault circuit interrupter (GFCI) and use of a stationary dust removal system and frequent cleaning of the tool's cooling air slots is recommended.**

The outer casing of the power tool is made from impact-resistant plastic. Sections of the grip are made from a synthetic rubber material.

Never operate the power tool when the ventilation slots are blocked. Clean the ventilation slots carefully using a dry brush. Do not permit foreign objects to enter the interior of the power tool. Clean the outside of the power tool at regular intervals with a slightly damp cloth. Do not use a spray, steam pressure cleaning equipment or running water for cleaning. This may negatively affect the electrical safety of the power tool. Always keep the grip surfaces of the power tool free from oil and grease. Do not use cleaning agents which contain silicone.

## 7.2 Maintenance

### WARNING

Do not operate the power tool if parts are damaged, if the electronic control unit is defective or when the controls do not function faultlessly. Have the power tool repaired by Hilti Service.

### WARNING

Repairs to the electrical section of the power tool may be carried out only by trained electrical specialists.

Check all external parts of the power tool for damage at regular intervals and check that all controls operate faultlessly.

## 7.3 Checking the power tool after care and maintenance

After carrying out care and maintenance work on the power tool, check that all protective and safety devices are fitted and that they function faultlessly.

en

## 8 Insert tools, accessories

Discs of max. 7" diameter designed for use at 8500 /min and a peripheral speed of 80 m/sec

Designation	Short designation	Description
Abrasive discs		Type 1, type 41, type 42
Diamond discs	DC-D 7"	
Wire brushes		∅ Max. 7"
Abrasive flap discs		∅ Max. 7"

### Accessories

Designation
Guard with cover plate
Vacuum cleaner from the Hilti range
Inner clamping flange for flat discs
Outer clamping flange for flat discs

## 9 Troubleshooting

Fault	Possible cause	Remedy
The power tool doesn't start.	Interruption in the electric supply.	Plug in another electric appliance and check whether it works.
	The supply cord or plug is defective.	Have the parts checked by a trained electrical specialist and replaced if necessary.
	The carbon brushes are worn.	Have it checked by a trained electrical specialist and replaced if necessary.
The power tool doesn't achieve full power.	The extension cord's conductor cross section is inadequate.	Use an extension cord with an adequate conductor cross section.

## 10 Disposal



Most of the materials from which Hilti power tools or appliances are manufactured can be recycled. The materials must be correctly separated before they can be recycled. In many countries, Hilti has already made arrangements for taking back your old power tools or appliances for recycling. Please ask your Hilti customer service department or Hilti representative for further information.

## 11 Manufacturer's warranty - tools

Hilti warrants that the tool supplied is free of defects in material and workmanship. This warranty is valid so long as the tool is operated and handled correctly, cleaned and serviced properly and in accordance with the Hilti Operating Instructions, and the technical system is maintained. This means that only original Hilti consumables, components and spare parts may be used in the tool.

This warranty provides the free-of-charge repair or replacement of defective parts only over the entire lifespan of the tool. Parts requiring repair or replacement as a result of normal wear and tear are not covered by this warranty.

**Additional claims are excluded, unless stringent national rules prohibit such exclusion. In particular, Hilti is not obligated for direct, indirect, incidental or consequential damages, losses or expenses in connection with, or by reason of, the use of, or inability to use the tool for any purpose. Implied warranties of merchantability or fitness for a particular purpose are specifically excluded.**

For repair or replacement, send the tool or related parts immediately upon discovery of the defect to the address of the local Hilti marketing organization provided.

This constitutes Hilti's entire obligation with regard to warranty and supersedes all prior or contemporaneous comments and oral or written agreements concerning warranties.

en

# DAG 700-P Meuleuse d'angle

**Avant de mettre l'appareil en marche, lire impérativement son mode d'emploi et bien respecter les consignes.**

**Le présent mode d'emploi doit toujours accompagner l'appareil.**

**Ne pas prêter ou céder l'appareil à un autre utilisateur sans lui fournir le mode d'emploi.**

Sommaire	Page
1 Consignes générales	13
2 Consignes de sécurité	14
3 Description	19
4 Caractéristiques techniques	21
5 Mise en service	21
6 Utilisation	22
7 Nettoyage et entretien	24
8 Outils, accessoires	24
9 Guide de dépannage	25
10 Recyclage	25
11 Garantie constructeur des appareils	25

❑ Les chiffres renvoient aux illustrations se trouvant sur les pages rabattables. Pour lire le mode d'emploi, rabattre ces pages de manière à voir les illustrations. Dans le présent mode d'emploi, « l'appareil » désigne toujours la meuleuse d'angle DAG 700-P.

**Pièces constitutives de l'appareil, éléments de commande et d'affichage** ❑

- ① Écrou de serrage
- ② Flasque de serrage extérieur pour disque plat
- ③ Disque plat
- ④ Flasque de serrage intérieur pour disque plat
- ⑤ Disque à moyeu déporté
- ⑥ Flasque de serrage pour disque à moyeu déporté
- ⑦ Nervure de codage
- ⑧ Carter de protection
- ⑨ Broche
- ⑩ Vis d'ajustage
- ⑪ Levier de serrage
- ⑫ Nervure de dépôt
- ⑬ Douilles taraudées pour poignées
- ⑭ Bouton de blocage de la broche
- ⑮ Poignée latérale
- ⑯ Interrupteur Marche / Arrêt verrouillable
- ⑰ Clé de serrage

fr

## 1 Consignes générales

### 1.1 Termes signalant un danger

#### DANGER

Pour un danger imminent qui peut entraîner de graves blessures corporelles ou la mort.

#### AVERTISSEMENT

Pour attirer l'attention sur une situation pouvant présenter des dangers susceptibles d'entraîner des blessures corporelles graves ou la mort.

#### ATTENTION

Pour attirer l'attention sur une situation pouvant présenter des dangers susceptibles d'entraîner des blessures corporelles légères ou des dégâts matériels.

#### REMARQUE

Pour des conseils d'utilisation et autres informations utiles.

### 1.2 Explication des pictogrammes et autres symboles d'avertissement

#### Symboles d'avertissement



Avertissement danger général



Avertissement tension électrique dangereuse

## Symboles d'obligation



Porter des lunettes de protection



Porter un casque de protection



Porter un casque antibruit



Porter des gants de protection

fr



Porter un masque respiratoire léger

## Symboles



Lire le mode d'emploi avant d'utiliser l'appareil



Recycler les déchets

V

Volt

A

Ampère

Hz

Hertz



Courant alternatif

n

Vitesse de rotation de référence

/min

Tours par minute

RPM

Tours par minute



Diamètre



Double isolation

## Emplacement des détails d'identification sur l'appareil

La désignation et le numéro de série du modèle se trouvent sur la plaque signalétique de l'appareil. Inscrive ces renseignements dans le mode d'emploi et toujours s'y référer pour communiquer avec notre représentant ou agence Hilti.

Type :

Génération : 01

N° de série :

## 2 Consignes de sécurité

### 2.1 Indications générales de sécurité pour les appareils électroportatifs

- a) **Avvertissement ! Lire et comprendre toutes les instructions.** Le non-respect des instructions indiquées ci-après peut entraîner un choc électrique, un incendie et / ou de graves blessures sur les personnes. **GARDER PRÉCIEUSEMENT CES INSTRUCTIONS DE SÉCURITÉ.**

#### 2.1.1 Place de travail

- a) **Maintenez l'endroit de travail propre et bien éclairé.** Un lieu de travail en désordre ou mal éclairé augmente le risque d'accidents.

- b) **N'utilisez pas l'appareil dans un environnement présentant des risques d'explosion et où se trouvent des liquides, des gaz ou poussières inflammables.** Les outils électroportatifs génèrent des étincelles risquant d'enflammer les poussières ou les vapeurs.
- c) **Tenez les observateurs, enfants et autres personnes éloignés durant l'utilisation de l'outil électroportatif.** En cas d'inattention vous risquez de perdre le contrôle de l'appareil.

### 2.1.2 Sécurité relative au système électrique

- a) **Les outils électroportatifs avec isolation double sont équipés d'une fiche sécurisée contre les inversions de polarité (une des broches est plus large que l'autre). La fiche doit être appropriée à la prise de courant. Ne modifiez en aucun cas la fiche. Au cas où la fiche ne serait pas appropriée, demandez conseil à un électricien qualifié. Ne modifiez en aucun cas la fiche.** Les fiches non modifiées et les prises de courant appropriées réduisent le risque de choc électrique.
- b) **Évitez le contact physique avec des surfaces mises à la terre tels que tuyaux, radiateurs, cuisinières et réfrigérateurs.** Il y a un risque élevé de choc électrique au cas où votre corps serait relié à la terre.
- c) **N'exposez pas l'outil électroportatif à la pluie ou à l'humidité.** La pénétration d'eau dans un outil électroportatif augmente le risque d'un choc électrique.
- d) **N'utilisez pas le câble à d'autres fins que celles prévues, n'utilisez pas le câble pour porter l'appareil ou pour l'accrocher ou encore pour le débrancher de la prise de courant. Maintenez le câble éloigné des sources de chaleur, des parties grasses, des bords tranchants ou des parties de l'appareil en rotation.** Un câble endommagé ou torsadé augmente le risque d'un choc électrique.
- e) **Au cas où vous utiliseriez l'outil électroportatif à l'extérieur, utilisez une rallonge autorisée homologuée pour les applications extérieures et portant le marquage "W-A" ou "W".** L'utilisation d'une rallonge électrique homologuée pour les applications extérieures réduit le risque d'un choc électrique.

### 2.1.3 Sécurité des personnes

- a) **Restez vigilant, surveillez ce que vous faites. Faites preuve de bon sens en utilisant l'outil électroportatif. N'utilisez pas l'appareil lorsque vous êtes fatigué ou après avoir consommé de l'alcool, des drogues ou avoir pris des médicaments.** Un moment d'inattention lors de l'utilisation de l'appareil peut entraîner de graves blessures sur les personnes.
- b) **Portez des vêtements appropriés. Ne portez pas de vêtements amples ni de bijoux. Maintenez cheveux, vêtements et gants éloignés des parties de l'appareil en rotation.** Des vêtements amples, des bijoux ou des cheveux longs peuvent être happés par des pièces en mouvement.
- c) **Évitez une mise en service par mégarde. Assurez-vous que l'interrupteur est effectivement en position d'arrêt avant de retirer la fiche de la prise de courant.** Le fait de porter l'appareil avec le doigt sur l'interrupteur ou de brancher l'appareil sur la source de courant lorsque l'interrupteur est en position de fonctionnement, peut entraîner des accidents.
- d) **Enlevez tout outil de réglage ou toute clé avant de mettre l'appareil en fonctionnement.** Une clé ou un outil se trouvant sur une partie en rotation peut causer des blessures.
- e) **Ne surestimez pas vos capacités. Veillez à garder toujours une position stable et équilibrée.** Ceci

vous permet de mieux contrôler l'appareil dans des situations inattendues.

- f) **Portez des équipements de protection individuelle. Portez toujours des lunettes de protection.** Les masques anti-poussière, chaussures de sécurité antidérapantes, casques de protection et protections acoustiques doivent être utilisés dans les conditions appropriées.

### 2.1.4 Utilisation et emploi soigneux de l'outil électroportatif

- a) **La pièce travaillée doit être fixée de manière sûre à l'aide de dispositifs de serrage sur un support stable.** Le maintien de la pièce travaillée avec la main ou le corps ne constitue pas une fixation sûre et risque d'entraîner la perte de contrôle de l'outil électroportatif.
- b) **Ne surchargez pas l'appareil. Utilisez l'outil électroportatif approprié au travail à effectuer.** Avec l'outil électroportatif approprié, vous travaillerez mieux et avec plus de sécurité à la vitesse pour laquelle il est prévu.
- c) **N'utilisez pas un outil électroportatif dont l'interrupteur est défectueux.** Un outil électroportatif qui ne peut plus être mis en ou hors fonctionnement est dangereux et doit être réparé.
- d) **Retirez la fiche de la prise de courant avant d'effectuer des réglages sur l'appareil, de changer les accessoires, ou de ranger l'appareil.** Cette mesure de précaution empêche une mise en fonctionnement par mégarde.
- e) **Gardez les outils électroportatifs non utilisés hors de portée des enfants et d'autres personnes non qualifiées.** Les outils électroportatifs sont dangereux lorsqu'ils sont utilisés par des personnes non initiées.
- f) **Prenez soin des outils électroportatifs. Maintenez les outils de coupe aiguisés et propres.** Des outils soigneusement entretenus avec des bords tranchants bien aiguisés se coincent moins souvent et peuvent être guidés plus facilement.
- g) **Vérifiez que les parties en mouvement fonctionnent correctement et qu'elles ne soient pas coincées, et contrôlez si des parties sont cassées ou endommagées de telle sorte que le bon fonctionnement de l'appareil s'en trouve entravé. Si l'appareil est endommagé, faites-le réparer avant de l'utiliser.** De nombreux accidents sont dus à des outils électroportatifs mal entretenus.
- h) **Utilisez uniquement les accessoires recommandés pour votre appareil.** Les accessoires destinés à un appareil donné peuvent s'avérer dangereux s'ils sont utilisés avec d'autres appareils.

### 2.1.5 Service

- a) **Ne faites réparer l'appareil que par un personnel qualifié.** Ceci permet d'assurer la sécurité de l'appareil.
- b) **Utilisez uniquement des pièces de rechange d'origine. Respectez les instructions du paragraphe "Nettoyage et entretien".** L'utilisation de pièces non homologuées ou le non-respect des consignes

du paragraphe "Nettoyage et entretien" comporte un risque de choc électrique ou constitue un danger de blessures.

## 2.2 Consignes de sécurité spécifiques

- a) **Toujours utiliser le carter de protection correspondant au disque à meuler. Ils protègent l'utilisateur contre les fragments de disques cassés.**
- b) **L'accessoire doit au moins être prévu pour une utilisation à la vitesse de rotation indiquée sur l'autocollant d'avertissement apposé sur l'outil électroportatif.** S'ils sont utilisés à une vitesse de rotation excessive, les disques à meuler ou à tronçonner et les autres accessoires peuvent entraîner un éclatement de l'accessoire et des blessures.
- c) **Tenir fermement l'appareil par les poignées isolées, lors d'interventions dans des zones où l'outil de coupe risque d'entrer en contact avec des câbles ou gaines électriques cachés, ou son propre câble d'alimentation.** En cas de contact avec un câble conducteur ou une gaine conductrice, les pièces métalliques non isolées sont mises sous tension et l'utilisateur reçoit un choc électrique.

## 2.3 Consignes de sécurité communes pour le meulage, le meulage au papier émeri, les travaux avec brosses métalliques et meules à tronçonner

- a) **Cet outil électroportatif doit être utilisé comme meuleuse, meuleuse au papier émeri, brosse métallique et tronçonneuse. Tenir compte de toutes les indications de sécurité, instructions, illustrations et données qui accompagnent l'appareil.** Le non-respect des instructions suivantes peut entraîner un choc électrique, un incendie et/ou de graves blessures sur les personnes.
- b) **Cet outil électroportatif n'est pas conçu pour le polissage.** Les applications pour lesquelles l'outil électroportatif n'est pas prévu peuvent présenter un danger et provoquer des blessures.
- c) **N'utiliser aucun accessoire qui n'a pas été prévu spécifiquement pour cet appareil électrique ni recommandé par le fabricant.** Le simple fait de pouvoir fixer l'accessoire sur l'outil électroportatif ne garantit pas une utilisation sûre.
- d) **La vitesse admissible de l'accessoire doit au moins être égale à la vitesse supérieure indiquée sur l'outil électroportatif.** Les accessoires dont la vitesse de rotation est supérieure à celle admissible risquent de se briser ou de voltiger.
- e) **Le diamètre extérieur et l'épaisseur de l'accessoire doivent correspondre aux cotes de l'outil électroportatif.** Des accessoires mal dimensionnés peuvent ne pas être suffisamment protégés ou contrôlés.
- f) **Les disques à meuler, flasques, plateaux de ponçage et autres accessoires doivent exactement s'adapter sur la broche de meulage de l'outil électroportatif.** Les accessoires qui ne s'adaptent pas exactement sur la broche de meulage de l'outil électroportatif ne tournent pas de manière uniforme,

vibrent fortement et risquent d'entraîner une perte de contrôle.

- g) **Ne pas utiliser d'accessoires endommagés. Avant chaque utilisation, vérifier que les accessoires tels que les disques à meuler ne sont ni écaillés ni fendus, que les plateaux ne sont pas fendus, usés ou fortement détériorés, et que les brosses métalliques n'ont pas de fils manquants ou cassés.** En cas de chute de l'outil électroportatif ou de l'accessoire, contrôler s'il est endommagé et, le cas échéant, utiliser un accessoire non endommagé. Une fois l'accessoire contrôlé et monté, l'utilisateur ainsi que les personnes se trouvant à proximité doivent se tenir en dehors du plan de l'accessoire rotatif et veiller à laisser tourner l'appareil pendant une minute à la vitesse de rotation maximale. Les accessoires endommagés se cassent le plus souvent lors de cette période de test.
- h) **Porter des équipements de protection individuelle. Utiliser, selon l'application, une protection du visage, une protection des yeux ou des lunettes de protection. Dans la mesure où ces équipements sont appropriés, porter un masque anti-poussière, un casque antibruit, des gants de protection ou un tablier spécial qui permettent de maintenir à distance les particules de matériau et de meulage.** Les yeux devraient être protégés contre les corps étrangers en suspension dans l'air, produits par diverses applications. Les masques anti-poussière ou respiratoire doivent filtrer la poussière résultant de l'utilisation. En cas d'exposition prolongée à un bruit important, il y a risque de perte d'audition.
- i) **Veiller à ce que les autres personnes se tiennent à une distance de sécurité de l'espace de travail. Toute personne accédant à l'espace de travail doit porter des équipements de protection individuelle.** Des éclats de la pièce travaillée ou des accessoires cassés risquent d'être projetés en l'air et de provoquer des blessures même à l'extérieur de l'espace de travail direct.
- j) **Tenir l'appareil seulement par les surfaces isolées des poignées lors des travaux pendant lesquels l'accessoire risque de toucher des câbles électriques cachés ou son propre câble d'alimentation réseau.** Le contact avec un câble sous tension risque de mettre les parties métalliques de l'appareil sous tension et de provoquer une décharge électrique.
- k) **Tenir le câble d'alimentation réseau éloigné des accessoires rotatifs.** En cas de perte de contrôle de l'appareil, le câble d'alimentation réseau peut être sectionné ou intercepté, et la main ou le bras de l'utilisateur risque de toucher l'accessoire rotatif.
- l) **Ne jamais poser l'outil électroportatif avant que l'accessoire soit complètement arrêté.** L'accessoire rotatif peut entrer en contact avec la surface sur laquelle l'outil électroportatif est posé, risquant d'entraîner ainsi une perte de contrôle de l'outil électroportatif.
- m) **Ne pas laisser l'outil tourner pendant son transport.** Les vêtements risquent d'être happés par un contact accidentel avec l'accessoire rotatif et l'outil

électroportatif risque de perforer le corps de l'utilisateur.

- n) **Nettoyer régulièrement les fentes de ventilation de l'outil électroportatif.** Le ventilateur du moteur attire la poussière dans le carter, et une forte accumulation de poussière métallique peut représenter des dangers électriques.
- o) **Ne pas utiliser l'outil électroportatif à proximité de matériaux inflammables.** Des étincelles risquent d'enflammer ces matériaux.
- p) **Ne pas utiliser d'accessoires qui requièrent l'utilisation de réfrigérants liquides.** L'utilisation d'eau ou d'autres réfrigérants liquides risque de provoquer une décharge électrique.

#### 2.4 Contrecoup et indications de sécurité correspondantes

Un contrecoup est une réaction soudaine d'un accessoire rotatif qui est resté accroché ou bloqué, comme un disque à meuler, un plateau de ponçage, une brosse métallique, etc. L'accrochage ou le blocage entraîne un arrêt brutal de l'accessoire rotatif. De ce fait, un outil électroportatif incontrôlé est accéléré, à l'endroit du blocage, dans le sens de rotation opposé à celui de l'accessoire.

Lorsqu'un disque à meuler par ex. reste accroché ou se bloque dans la pièce, l'arête du disque à meuler plongée dans la pièce peut rester accrochée et provoquer l'éclatement du disque à meuler ou un contrecoup. Le disque à meuler se déplace alors vers l'utilisateur ou s'éloigne de lui, selon le sens de rotation du disque à l'endroit du blocage. Ce faisant, les disques à meuler risquent en outre de se casser.

Un contrecoup est la conséquence d'une mauvaise utilisation ou d'une utilisation incorrecte de l'outil électroportatif. Il peut être évité en prenant les mesures de précaution adaptées telles que décrites ci-dessous.

- a) **Bien tenir l'outil électroportatif, et garder le corps et les bras dans une position permettant d'amortir les forces de contrecoup. Toujours utiliser la poignée supplémentaire, si celle-ci est présente, afin d'avoir le meilleur contrôle possible sur les forces de contrecoup ou les couples antagonistes lors de l'accélération à pleine vitesse.** L'utilisateur peut maîtriser les forces de contrecoup et antagonistes en prenant les précautions appropriées.
- b) **Ne jamais approcher la main des accessoires rotatifs.** En cas de contrecoup, l'accessoire risque d'aller sur la main de l'utilisateur.
- c) **Éviter de se tenir dans l'espace dans lequel l'outil électroportatif serait en mouvement en cas de contrecoup.** Le contrecoup entraîne l'outil électroportatif dans le sens opposé au déplacement du disque à l'endroit du blocage.
- d) **Travailler avec une extrême prudence dans les coins, arêtes vives, etc. Éviter que les accessoires rebondissent sur la pièce à travailler et se coincent.** L'accessoire rotatif s'incline dans les coins, les arêtes vives ou lorsqu'il rebondit et de plus, se coince. Ceci entraîne une perte de contrôle ou un contrecoup.

- e) **Ne pas utiliser de lames de scie à chaîne ou dentées.** De tels accessoires entraînent souvent un contrecoup ou la perte de contrôle de l'outil électroportatif.

#### 2.5 Consignes de sécurité particulières pour le meulage et le tronçonnage

- a) **Utiliser exclusivement les meules autorisées pour l'outil électroportatif concerné et les capots de protection prévus pour ces meules.** Les meules qui ne sont pas conçues pour l'outil électroportatif peuvent ne pas être suffisamment protégées et ne sont pas sûres.
- b) **Le carter de protection doit être solidement fixé sur l'outil électroportatif et réglé de manière à atteindre la sécurité maximale, c.-à-d. que la plus petite partie possible de la meule doit être ouverte en direction de l'utilisateur.** Le carter de protection doit protéger l'utilisateur des éclats et d'un contact accidentel avec la meule, ainsi que des étincelles qui risquent d'enflammer les vêtements.
- c) **Les meules doivent uniquement être utilisées pour les possibilités d'applications recommandées. Par ex. : Ne jamais meuler avec la surface latérale d'un disque à tronçonner.** Les disques à tronçonner sont prévus pour attaquer le matériau avec l'arête du disque. Une action latérale sur ces meules risque de les casser.
- d) **Toujours utiliser des flasques de serrage en parfait état, de dimensions et de forme adaptées au disque à meuler choisi.** Les flasques adaptés soutiennent le disque et réduisent le risque de cassure du disque à meuler. Les flasques de serrage destinés aux disques à tronçonner peuvent être différents des flasques pour d'autres disques à meuler.
- e) **Ne pas utiliser de disques à meuler usés provenant d'outils électroportatifs plus grands.** Les disques à meuler destinés aux outils électroportatifs plus grands ne sont pas dimensionnés pour les vitesses supérieures des outils électroportatifs plus petits et risquent de se casser.

#### 2.6 Autres consignes de sécurité particulières relatives au tronçonnage

- a) **Éviter de bloquer le disque à tronçonner et de le soumettre à une pression trop forte. Ne pas effectuer de coupes de profondeur excessive.** Une surcharge du disque à tronçonner augmente sa sollicitation et la probabilité de pliage ou blocage, et par conséquent l'éventualité d'un contrecoup ou de cassure de la meule.
- b) **Éviter la zone devant et derrière le disque à tronçonner rotatif.** Si l'utilisateur écarte de lui le disque à tronçonner dans la pièce à travailler, l'outil électroportatif avec le disque rotatif risquent, en cas de contrecoup, d'être projetés directement sur l'utilisateur.
- c) **Si le disque à tronçonner se coince ou que le travail est interrompu, débrancher l'appareil et attendre tranquillement jusqu'à ce que le disque s'arrête. Ne jamais essayer de sortir le disque**



- encore en rotation de la coupe, sinon un contrecoup risque de se produire. Déterminer et résoudre la cause du coincement.
- d) **Ne jamais remettre l'outil électroportatif en marche tant qu'il se trouve dans la pièce à travailler. Attendre que le disque à tronçonner atteigne la pleine vitesse avant de poursuivre prudemment la coupe.** Dans le cas contraire, le disque risque de s'accrocher, de sauter de la pièce ou d'entraîner un contrecoup.
  - e) **Soutenir les panneaux ou grandes pièces à travailler afin de réduire le risque d'un contrecoup causé par un disque à tronçonner coincé.** De grandes pièces à travailler peuvent se courber sous leur propre poids. La pièce à travailler doit être soutenue des deux côtés, aussi bien à proximité de la coupe que sur l'arête.
  - f) **Procéder avec une extrême prudence en cas de « coupes en plongée » dans les murs existants ou autres zones imprévisibles.** Le disque à tronçonner plongeant risque de sectionner des conduites d'eau ou de gaz, des câbles ou gaines électriques, ou d'autres objets, et de causer un contrecoup.

### 2.7 Consignes de sécurité particulières pour le meulage au papier émeri

- a) **Ne pas utiliser de feuilles abrasives surdimensionnées, respecter les données du constructeur relatives aux dimensions de feuilles abrasives.** Les feuilles abrasives qui dépassent du plateau de ponçage peuvent provoquer des blessures ainsi qu'entraîner le blocage, des déchirures des feuilles ou un contrecoup.

### 2.8 Consignes de sécurité particulières pour les travaux avec brosses métalliques

- a) **Veiller à ce que la brosse métallique ne perde pas de morceaux de fil pendant l'usage courant. Ne pas surcharger les fils du fait d'une pression exercée trop importante.** Les morceaux de fil en suspension dans l'air peuvent très facilement passer à travers les vêtements fins et/ou la peau.
- b) **Si un capot de protection est recommandé, éviter que le capot de protection et la brosse métallique ne se touchent.** Le diamètre des brosses plateaux et « boisseau » peut être agrandi par la pression exercée et les forces centrifuges.

### 2.9 Consignes de sécurité supplémentaires

#### 2.9.1 Sécurité des personnes

- a) **Porter un casque antibruit.** Le bruit peut entraîner des pertes auditives.
- b) **Toujours tenir l'appareil des deux mains par les poignées prévues à cet effet. Veiller à ce que les poignées soient toujours sèches, propres et exemptes de traces de graisse et d'huile.**
- c) **Si l'appareil fonctionne sans dispositif d'aspiration de la poussière et si le travail effectué dégage de la poussière, porter un masque respiratoire léger.**

- d) **Faire régulièrement des pauses et des exercices de relaxation et de massage des doigts pour favoriser l'irrigation sanguine dans les doigts.**
- e) **Éviter de toucher des pièces en rotation. Brancher l'appareil uniquement dans l'espace de travail.** Le fait de toucher des pièces en rotation, en particulier des outils en rotation, risque d'entraîner des blessures.
- f) **Pendant le travail, toujours tenir le câble d'alimentation réseau et de rallonge à l'arrière de l'appareil.** Ceci permet d'éviter tout risque de chute en trébuchant sur le câble pendant le travail.
- g) **Avertir les enfants et veiller à ce qu'ils ne jouent pas avec l'appareil.**
- h) **L'appareil n'est pas destiné à être utilisé par des enfants ou des personnes affaiblies sans encadrement.**
- i) **AVERTISSEMENT : Certains types de poussières générées par ébarbage, meulage, tronçonnage et perçage contiennent des substances chimiques, connus pour être cancérogènes, qui risquent d'entraîner des malformations congénitales, une infertilité, des lésions permanentes des voies respiratoires ou d'autres natures.** Quelques-unes de ces substances chimiques sont le plomb contenu dans les peintures au plomb, le quartz cristallin provenant des briques, du béton, de la maçonnerie ou de pierres naturelles, ou encore l'arsenic ou le chrome provenant de bois de construction traités chimiquement. Les risques pour l'utilisateur varient en fonction de la fréquence de ces travaux. **Afin de réduire la charge de ces substances chimiques, l'utilisateur et les tierces personnes doivent travailler dans une pièce bien ventilée et utiliser les équipements de sécurité homologués. Porter un masque respiratoire adapté au type de poussière déterminé, qui filtre les particules microscopiques et permet d'éviter tout contact de la poussière avec le visage ou le corps. Éviter tout contact prolongé avec la poussière. Porter des vêtements de protection et laver à l'eau et au savon la portion de peau qui a été en contact avec la poussière.** L'absorption de poussières par la bouche ou les yeux, ou le contact prolongé des poussières avec la peau, risque de favoriser l'absorption de substances chimiques nocives pour la santé.

#### 2.9.2 Utilisation et emploi soigneux de l'outil électroportatif

- a) **Stocker et manipuler les disques conformément aux instructions du fabricant.**
- b) **S'assurer que le disque est monté selon les instructions du fabricant.**
- c) **Veiller à utiliser des porte-disques lorsqu'ils sont fournis avec le disque ou requis.**
- d) **Ne jamais utiliser l'outil électroportatif sans carter de protection.**
- e) **L'outil doit être suffisamment fixé.**
- f) **Ne jamais ébarber avec un disque à tronçonner.**

- g) Si le disque est cassé, après une chute de l'appareil ou tout autre endommagement mécanique, faire contrôler l'appareil par le S.A.V. Hilti.
- h) Veiller à ce que les étincelles engendrées par l'utilisation de l'appareil n'entraînent pas de dangers, par exemple, qu'elles ne risquent pas de toucher l'utilisateur ou d'autres personnes. Pour ce faire, mettre le carter de protection bien en place.
- i) En cas de coupure de courant : mettre l'appareil sur arrêt, débrancher la fiche. Cette mesure de précaution empêche une mise en fonctionnement par mégarde de l'appareil lorsque le courant est rétabli.

### 2.9.3 Sécurité relative au système électrique



- a) Avant d'entamer le travail, vérifier, par exemple à l'aide d'un détecteur de métaux, qu'il n'y a pas de câbles ou gaines électriques, tuyaux de gaz ou d'eau cachés dans la zone d'intervention. Toutes pièces métalliques extérieures de l'appareil peuvent devenir conductrices, par exemple, lorsqu'un câble électrique est endommagé par inadvertance. Cela peut entraîner un grave danger d'électrocution.
- b) Contrôler régulièrement les câbles de raccordement de l'appareil et les faire remplacer par un spécialiste s'ils sont endommagés. Si le câble de raccordement de l'appareil électrique est endommagé, il doit être remplacé par un câble de raccordement spécialement préparé, disponible auprès du service après-vente. Contrôler régulièrement les câbles de rallonge et les remplacer s'ils sont endommagés. Si le câble d'alimentation réseau ou de rallonge est endommagé pendant le travail, ne pas le toucher. Débrancher la fiche de la prise. Les cordons d'alimentation et câbles de rallonge endommagés représentent un danger d'électrocution.

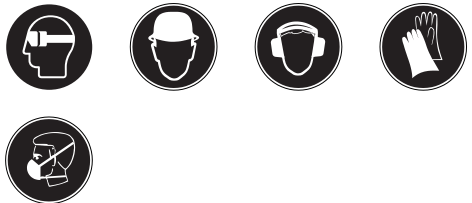
- c) Si le travail s'effectue souvent sur des matériaux conducteurs, faire réviser les appareils encrassés par le S.A.V. Hilti à intervalles réguliers. Dans de mauvaises conditions d'utilisation, la poussière collée à la surface de l'appareil, surtout la poussière de matériaux conducteurs, ou l'humidité, peut entraîner une électrocution.
- d) Lorsqu'un appareil électrique est utilisé en plein air, s'assurer que l'appareil est raccordé au réseau par le biais d'un interrupteur de protection contre les courants de court-circuit (GFCI) avec un courant de déclenchement maximal de 30 mA. L'utilisation d'un tel interrupteur de protection réduit le risque d'une décharge électrique.
- e) Par principe, il est recommandé d'utiliser un interrupteur de protection contre les courants de court-circuit (GFCI) avec un courant de déclenchement maximal de 30 mA.

fr

### 2.9.4 Place de travail

- a) Veiller à ce que la place de travail soit bien éclairée.
- b) Veiller à ce que la place de travail soit bien ventilée. Des places de travail mal ventilées peuvent nuire à la santé du fait de la présence excessive de poussière.

### 2.9.5 Équipement de protection individuelle



L'utilisateur et les personnes se trouvant à proximité pendant l'utilisation de l'appareil doivent porter des lunettes de protection adaptées homologuées selon ANSI Z87.1, un casque de protection, un casque anti-bruit, des gants de protection et un masque respiratoire léger.

## 3 Description

### 3.1 Utilisation conforme à l'usage prévu

L'appareil est une meuleuse d'angle électrique destinée à un usage professionnel dans le bâtiment. Cet appareil a été conçu pour le tronçonnage, l'ébarbage et le brossage des métaux et de matières minérales sans utilisation d'eau. Bien respecter les consignes concernant l'utilisation, le nettoyage et l'entretien de l'appareil qui figurent dans le présent mode d'emploi.

Travaux sur métaux : tronçonnage, ébarbage, meulage, brossage.

Travaux sur surfaces minérales : tronçonnage, rainurage, meulage.

Utiliser uniquement des outils de travail (disques à meuler, disques à tronçonner) homologués pour une vitesse de rotation minimale de 8500 /min avec un Ø 7" max. et une vitesse périphérique admissible de 80 m/s.

Pour éviter tout risque de blessure, utiliser uniquement les accessoires et outils Hilti d'origine.

Ne pas travailler sur des matériaux susceptibles de nuire à la santé (par ex. amiante).

Il convient également d'observer la législation locale en matière de protection au travail.

Toute manipulation ou modification de l'appareil est interdite.

L'appareil ne doit fonctionner qu'avec la tension réseau et la fréquence réseau indiquées sur la plaque signalétique. L'environnement de travail peut être : chantiers, ateliers, sites de rénovation, sites de constructions nouvelles ou de constructions en cours de réaménagement.

L'appareil est destiné aux utilisateurs professionnels et ne doit être utilisé, entretenu et réparé que par un personnel agréé, formé à cet effet. Ce personnel doit être au courant des dangers inhérents à l'utilisation de l'appareil. L'appareil et ses accessoires peuvent s'avérer dangereux s'ils sont utilisés de manière incorrecte par un personnel non qualifié ou de manière non conforme à l'usage prévu.

Prêter attention aux influences de l'environnement de l'espace de travail. Ne pas utiliser l'appareil dans des endroits présentant un danger d'incendie ou d'explosion.

### 3.2 Poignées

Poignée latérale

### 3.3 Interrupteur

Interrupteur Marche / Arrêt verrouillable

### 3.4 La livraison de l'équipement standard comprend :

- 1 Appareil
- 1 Carter de protection
- 1 Poignée latérale
- 1 Flasque de serrage pour disque à moyeu déporté
- 1 Écrou de serrage
- 1 Clé de serrage
- 1 Mode d'emploi
- 1 Emballage en carton

### 3.5 Utilisation de câbles de rallonge

Utiliser uniquement des câbles de rallonge homologués pour le champ d'action correspondant et de section suffisante afin d'éviter toute perte de puissance de l'appareil et toute surchauffe du câble. Contrôler régulièrement si le câble de rallonge n'est pas endommagé. Remplacer les câbles de rallonge endommagés.

**Section minimale recommandée et longueurs de câble maximales :**

Section du conducteur	14 AWG	12 AWG
Tension du secteur 110 – 120 V	75 ft	125 ft

Ne pas utiliser de câble de rallonge d'une section de conducteur de 16 AWG.

### 3.6 Câble de rallonge à l'extérieur

À l'extérieur, n'utiliser que des câbles de rallonge homologués avec le marquage correspondant.

### 3.7 Utilisation d'un générateur ou d'un transformateur

Cet appareil peut être alimenté par un générateur ou un transformateur (non fourni), si les conditions suivantes sont respectées : une puissance délivrée en watts au moins égale au double de la puissance indiquée sur la plaque signalétique de l'appareil, la tension de service doit être en permanence située dans une plage de tolérance de +5 % et -15 % par rapport à la tension nominale, la fréquence doit être comprise entre 50 et 60 Hz, sans jamais dépasser 65 Hz, et un régulateur de tension automatique avec système d'amplification au démarrage doit être présent.

Ne jamais faire fonctionner d'autres appareils simultanément sur le générateur / transformateur. La mise en marche ou à l'arrêt d'autres appareils peut entraîner des pointes de sous-tension et / ou de surtension pouvant endommager l'appareil.

### 3.8 Carter de protection avec recouvrement

#### ATTENTION

Pour ébarber avec des disques à meuler plats et pour le tronçonnage avec des disques à tronçonner lors de travaux sur des matières métalliques, utiliser uniquement le carter de protection avec recouvrement. Cet accessoire est disponible en option.

## 4 Caractéristiques techniques

Sous réserve de modifications techniques !

Appareil	DAG 700-P
Tension nominale	120 V
Courant nominal	15 A
Fréquence de référence	60 Hz
Vitesse de rotation de référence	8.500/min
Disques à tronçonner	Ø 7 "
Dimensions (L x H x l) sans carter	473 mm (18,62 ") x 136 mm (5,35 ") x 105 mm (4,13 ")
Poids de l'appareil	5,7 kg (12,57 lb)

#### Informations concernant les appareils et les applications

Filetage de la broche d'entraînement	5/8 "-11
Longueur de broche	3/4 "
Classe de protection	Classe de protection II (double isolation)

## 5 Mise en service



#### AVERTISSEMENT

Ne jamais utiliser l'outil électroportatif sans carter de protection.

#### 5.1 Montage de la poignée latérale

#### AVERTISSEMENT

Pour tous les travaux, la poignée latérale doit être montée.

Visser la poignée latérale à partir du côté gauche, droit ou supérieur de l'appareil.

#### 5.2 Carter de protection

#### ATTENTION

Le côté fermé du carter de protection doit toujours être orienté vers l'utilisateur.

#### REMARQUE

La nervure de codage sur le carter de protection permet d'assurer que seul un carter de protection approprié peut être monté sur l'appareil. De plus, la nervure de codage empêche le carter de protection de tomber sur la pièce à travailler.

#### 5.2.1 Montage et démontage du carter de protection 2

1. Débrancher la fiche de la prise.
2. Positionner le carter de protection avec les cames dans la rainure au niveau du collet de la broche et le tourner dans la position de travail requise.
3. Serrer le carter de protection avec la vis.
4. Pour démonter le carter de protection, suivre les instructions dans l'ordre inverse des étapes de montage.

#### 5.2.2 Réglage du carter de protection 3

1. Débrancher la fiche de la prise.
2. Desserrer la vis.
3. Tourner le carter de protection dans la position souhaitée.
4. Serrer le carter de protection avec la vis.

#### 5.2.3 Montage et démontage du carter de protection (sans outil) 4

#### REMARQUE

Le carter de protection est déjà réglé au moyen de la vis d'ajustage sur le diamètre de serrage correct. Si le serrage devait s'avérer insuffisant lorsque le carter de protection est en place, la force de serrage peut être augmentée en serrant légèrement la vis d'ajustage.

1. Débrancher la fiche de la prise.
2. Ouvrir le levier de serrage.
3. Positionner le carter de protection avec la nervure de codage dans la rainure de codage au niveau du collet de la broche de la tête de l'appareil.
4. Tourner le carter de protection à la position requise.
5. Fermer le levier de serrage pour que le carter de protection soit bien serré.
6. Pour démonter le carter de protection, suivre les instructions dans l'ordre inverse des étapes de montage.

#### 5.2.4 Réglage du carter de protection (sans outil) **5**

1. Débrancher la fiche de la prise.
2. Ouvrir le levier de serrage.
3. Tourner le carter de protection dans la position souhaitée.
4. Fermer le levier de serrage.

#### 5.3 Montage des disques

##### DANGER

S'assurer que la vitesse de rotation indiquée sur le disque est au moins égale ou supérieure au régime à vide maximal de l'appareil.

##### DANGER

Contrôler le disque à meuler avant de l'utiliser. Ne pas utiliser de produits cassés, fendus ou présentant d'autres endommagements.

##### DANGER

Ne pas utiliser de disques d'un diamètre supérieur à 7".

#### 5.3.1 Montage des disques plats **6**

##### ATTENTION

Pour ébarber avec des disques à meuler plats et pour le tronçonnage avec des disques à tronçonner lors de travaux sur des matières métalliques, utiliser uniquement le carter de protection avec recouvrement. Cet accessoire est disponible en option.

#### AVERTISSEMENT

L'utilisation de disques plats avec des flasques de serrage à moyeu déporté risque de provoquer une rupture de disque.

1. Débrancher la fiche de la prise.
2. Nettoyer le flasque de serrage pour disques plats.
3. Placer le flasque de serrage intérieur pour disques plats sur la broche de meulage.
4. Monter le disque plat.
5. Placer le flasque de serrage extérieur pour disques plats sur la broche de meulage.
6. Visser l'écrou de serrage à fond.
7. **ATTENTION Le bouton de blocage de la broche doit seulement être utilisé lorsque la broche de meulage est immobile.** Appuyer sur le bouton de blocage de la broche et le maintenir enfoncé.
8. Serrer l'écrou de serrage à l'aide de la clé de serrage et relâcher ensuite le bouton de blocage de la broche.

#### 5.3.2 Montage des disques à moyeu déporté **7**

##### AVERTISSEMENT

L'utilisation de disques plats avec des flasques de serrage à moyeu déporté risque de provoquer une rupture de disque.

1. Débrancher la fiche de la prise.
2. Nettoyer le flasque de serrage pour disques à moyeu déporté.
3. Placer le flasque de serrage pour disques à moyeu déporté sur la broche de meulage.
4. Monter le disque à moyeu déporté.
5. Visser l'écrou de serrage à fond.
6. **ATTENTION Le bouton de blocage de la broche doit seulement être utilisé lorsque la broche de meulage est immobile.** Appuyer sur le bouton de blocage de la broche et le maintenir enfoncé.
7. Serrer l'écrou de serrage à l'aide de la clé de serrage et relâcher ensuite le bouton de blocage de la broche.

## 6 Utilisation



##### REMARQUE

Adapter la position du carter de protection en fonction des conditions requises par la procédure de travail.

##### DANGER

Porter un casque antibruit. Le bruit peut entraîner des pertes auditives.

##### ATTENTION

Le côté fermé du carter de protection doit toujours être orienté vers l'utilisateur.

##### AVERTISSEMENT

Si le disque à meuler est neuf, le tester dans un espace de travail sécurisé en le faisant tourner à vide pendant au moins 30 secondes à sa vitesse maximale.

##### AVERTISSEMENT

Les fentes dans des murs et autres structures porteurs sont susceptibles de modifier la statique de la construc-

tion, en particulier lors d'interventions sur des armatures métalliques ou des éléments porteurs. **Avant de commencer le travail, consulter le staticien, l'architecte ou le chef de chantier compétent.**

#### AVERTISSEMENT

La tension du secteur doit correspondre à celle indiquée sur la plaquette signalétique.

#### AVERTISSEMENT

Toujours utiliser l'appareil par la poignée latérale.

#### ATTENTION

Pour bloquer les pièces, utiliser un dispositif de serrage ou un étai.

#### AVERTISSEMENT

Lors du meulage, des éclats dangereux peuvent être projetés dans l'air. **Porter des lunettes de protection.**

#### ATTENTION

Si l'appareil fonctionne sans dispositif d'aspiration de la poussière et si le travail effectué dégage de la poussière, porter un masque respiratoire léger.

#### AVERTISSEMENT

Éviter de toucher des pièces en rotation. Brancher l'appareil uniquement dans l'espace de travail. Le fait de toucher des pièces en rotation, en particulier des outils en rotation, risque d'entraîner des blessures.

#### ATTENTION

Après utilisation, l'appareil peut être très chaud. **Lors du changement d'outil, porter des gants de protection.**

#### AVERTISSEMENT

Lors de travaux de tronçonnage, veiller à ne pas incliner le disque par rapport au plan de tronçonnage et à ne pas surcharger l'appareil. Sinon, l'appareil risque de s'arrêter, entraînant un contrecoup ou la cassure du disque.

#### ATTENTION

Faire régulièrement des pauses et des exercices de relaxation et de massage des doigts pour favoriser l'irrigation sanguine dans les doigts.

#### AVERTISSEMENT

Tenir tout matériau inflammable éloigné de l'espace de travail.

## 6.1 Mise en marche / arrêt avec blocage

### 6.1.1 Mise en marche et blocage

1. Brancher la fiche dans la prise.
2. Appuyer sur l'interrupteur Marche / Arrêt puis sur le bouton de blocage.

### 6.1.2 Arrêt après blocage

Appuyer sur l'interrupteur Marche / Arrêt (déblocage du verrouillage).

## 6.2 Procédure

### REMARQUE

Travailler en serrant modérément.

### REMARQUE

Ce qui importe est le sens dans lequel s'effectue la coupe. L'appareil doit toujours travailler dans le sens inverse de la progression. Si tel n'est pas le cas, il y a un risque que l'appareil ressorte de la coupe de manière incontrôlée.

### REMARQUE

Pour des travaux sur métaux non ferreux (aluminium par exemple), il convient d'utiliser des disques spécifiques.

### REMARQUE

Lors du tronçonnage de matériaux d'origine minérale particulièrement durs à forte teneur en graviers, le disque à tronçonner risque de surchauffer ou d'être endommagé. Une couronne d'étincelles tournant avec le disque à tronçonner est révélatrice d'un tel état. Dans ce cas, interrompre le tronçonnage et laisser le disque à tronçonner refroidir un petit instant sans charge en marche à vide.

### REMARQUE

Une baisse des performances de travail peut provenir de l'usure des segments. Ceux-ci peuvent à nouveau être affûtés en opérant des coupes dans un matériel abrasif (plaque d'affûtage Hilti ou un grès argilo-calcaire abrasif).

## 6.3 Ébarbage

### ATTENTION

**Ne jamais ébarber avec des disques à tronçonner.**

Les meilleurs résultats d'ébarbage sont obtenus lorsque le disque à meuler fait un angle de 30° par rapport à la surface à meuler. Une contrainte excessive lors du meulage endommage l'appareil et augmente l'usure des disques à meuler, tandis que les performances du meulage sont moins bonnes.

## 7 Nettoyage et entretien

### ATTENTION

Débrancher la fiche de la prise.

#### 7.1 Nettoyage de l'appareil

### DANGER

Dans des conditions d'utilisation extrêmes lors de travaux sur des métaux, une poussière conductrice peut se déposer à l'intérieur de l'appareil. La classe de protection de l'appareil risque d'être compromise. **Dans de tels cas, il est recommandé d'utiliser une installation d'aspiration stationnaire, de nettoyer régulièrement les fentes de ventilation et d'activer préalablement un interrupteur de protection contre les courants de court-circuit (GFCI).**

La coque extérieure du boîtier de l'appareil est fabriquée en plastique résilient. La partie préhensible est en élastomère.

Ne jamais faire fonctionner l'appareil si ses ouïes d'aération sont bouchées ! Les nettoyer avec précaution au moyen d'une brosse sèche. Éviter toute pénétration de corps étrangers à l'intérieur de l'appareil. Nettoyer régulièrement l'extérieur de l'appareil avec un chiffon légèrement humide. N'utiliser ni pulvérisateur, ni appareil à jet de vapeur, ni eau courante pour nettoyer l'appareil, afin de garantir sa sûreté électrique. Toujours essuyer les

parties préhensibles de l'appareil pour supprimer toute trace d'huile et de graisse. Ne pas utiliser de nettoyants à base de silicone.

#### 7.2 Entretien

### AVERTISSEMENT

**Ne pas utiliser l'appareil si des pièces sont abîmées ou si le système électronique ou des organes de commande ne fonctionnent pas parfaitement. Faire réparer l'appareil par le S.A.V. Hilti.**

### AVERTISSEMENT

**Toute réparation des pièces électriques ne doit être effectuée que par un électricien qualifié.**

Vérifier régulièrement toutes les pièces extérieures de l'appareil pour voir si elles ne sont pas abîmées et s'assurer que tous les organes de commande fonctionnent correctement.

#### 7.3 Contrôle après des travaux de nettoyage et d'entretien

Après des travaux de nettoyage et d'entretien, vérifier si tous les équipements de protection sont bien en place et fonctionnent parfaitement.

## 8 Outils, accessoires

Disques pour max. Ø 7", 8500 /min et une vitesse périphérique de 80 m/s

Désignation	Symbole	Description
Outil abrasif		Type 1, type 41, type 42
Outil à diamants	DC-D 7"	
Brosse métallique		∅ Max. 7 "
Meule-éventail		∅ Max. 7 "

### Accessoires

Désignation
Carter de protection avec recouvrement
Système d'aspiration de poussières issu de la gamme de produits Hilti
Flasque de serrage intérieur pour disque plat
Flasque de serrage extérieur pour disque plat

## 9 Guide de dépannage

Défauts	Causes possibles	Solutions
L'appareil ne se met pas en marche.	L'alimentation réseau est coupée.	Brancher un autre appareil électrique, contrôler son fonctionnement.
	Le câble d'alimentation réseau ou le connecteur est défectueux.	Faire vérifier par un électricien et, si nécessaire, remplacer.
	Balais usés.	Faire vérifier par un électricien et, si nécessaire, remplacer.
L'appareil n'atteint pas la pleine puissance.	La section du câble de rallonge n'est pas suffisante.	Utiliser un câble de rallonge de section suffisante.

fr

## 10 Recyclage



Les appareils Hilti sont fabriqués en grande partie avec des matériaux recyclables dont la réutilisation exige un tri correct. Dans de nombreux pays, Hilti est déjà équipé pour reprendre votre ancien appareil afin d'en recycler les composants. Consultez le service clients Hilti ou votre conseiller commercial.

## 11 Garantie constructeur des appareils

Hilti garantit l'appareil contre tout vice de matières et de fabrication. Cette garantie s'applique à condition que l'appareil soit utilisé et manipulé, nettoyé et entretenu correctement, en conformité avec le mode d'emploi Hilti, et que l'intégrité technique soit préservée, c'est-à-dire sous réserve de l'utilisation exclusive de consommables, accessoires et pièces de rechange d'origine Hilti.

Cette garantie se limite strictement à la réparation gratuite ou au remplacement gracieux des pièces défectueuses pendant toute la durée de vie de l'appareil. Elle ne couvre pas les pièces soumises à une usure normale.

**Toutes autres revendications sont exclues pour autant que des dispositions légales nationales impératives ne s'y opposent pas. En particulier, Hilti ne**

**saurait être tenu pour responsable de toutes détériorations, pertes ou dépenses directes, indirectes, accidentelles ou consécutives, en rapport avec l'utilisation ou dues à une incapacité à utiliser l'appareil dans quelque but que ce soit. Hilti exclut en particulier les garanties implicites concernant l'utilisation et l'aptitude dans un but bien précis.**

Pour toute réparation ou tout échange, renvoyer l'appareil ou les pièces concernées au réseau de vente Hilti compétent, sans délai, dès constatation du défaut.

La présente garantie couvre toutes les obligations d'Hilti et annule et remplace toutes les déclarations antérieures ou actuelles, de même que tous accords oraux ou écrits concernant des garanties.



# Amoladora angular DAG 700-P

**Lea detenidamente el manual de instrucciones antes de la puesta en servicio.**

**Conservar siempre este manual de instrucciones cerca de la herramienta.**

**No entregue nunca la herramienta a otras personas sin adjuntar el manual de instrucciones.**

Índice	Página
1 Indicaciones generales	26
2 Indicaciones de seguridad	27
3 Descripción	32
4 Datos técnicos	34
5 Puesta en servicio	34
6 Manejo	35
7 Cuidado y mantenimiento	36
8 Herramientas, accesorios	37
9 Localización de averías	37
10 Reciclaje	38
11 Garantía del fabricante de las herramientas	38

Los números hacen referencia a las ilustraciones del texto que pueden encontrarse en las páginas desplegables correspondientes. Manténgalas desplegadas mientras estudia el manual de instrucciones.

En este manual de instrucciones, "la herramienta" se refiere siempre a la amoladora angular DAG 700-P

**Componentes de la herramienta, elementos de manejo y de indicación**

- ① Tuerca de apriete
- ② Brida de apriete exterior para disco recto
- ③ Disco recto
- ④ Brida de apriete interior para disco recto
- ⑤ Disco acodado
- ⑥ Brida de apriete para disco acodado
- ⑦ Resalte codificador
- ⑧ Cubierta de protección
- ⑨ Husillo
- ⑩ Tornillo de ajuste
- ⑪ Palanca de tensado
- ⑫ Resalte de alojamiento
- ⑬ Casquillos roscados para empuñaduras
- ⑭ Botón de bloqueo del husillo
- ⑮ Empuñadura lateral
- ⑯ Interruptor de conexión y desconexión con bloqueo
- ⑰ Llave de apriete

## 1 Indicaciones generales

### 1.1 Señales de peligro y significado

#### PELIGRO

Término utilizado para un peligro inminente que puede ocasionar lesiones graves o incluso la muerte.

#### ADVERTENCIA

Término utilizado para una posible situación peligrosa que puede ocasionar lesiones graves o la muerte.

#### PRECAUCIÓN

Término utilizado para una posible situación peligrosa que puede ocasionar lesiones o daños materiales leves.

#### INDICACIÓN

Término utilizado para indicaciones de uso y demás información de interés.

### 1.2 Explicación de los pictogramas y otras indicaciones

#### Símbolos de advertencia



Advertencia de peligro en general



Advertencia de tensión eléctrica peligrosa

## Señales prescriptivas



Utilizar protección para los ojos



Utilizar casco de protección



Utilizar protección para los oídos



Utilizar guantes de protección



Utilizar mascarilla ligera

## Símbolos



Leer el manual de instrucciones antes del uso



Reciclar los materiales usados

V

Voltios

A

Amperios

Hz

Hercios



Corriente alterna

n

Velocidad de medición

/min

Revoluciones por minuto

RPM

Revoluciones por minuto



Diámetro



Aislamiento doble

## Ubicación de los datos identificativos de la herramienta

La denominación del modelo y la identificación de serie se indican en la placa de identificación de su herramienta. Anote estos datos en su manual de instrucciones y menciónelos siempre que realice alguna consulta a nuestros representantes o al departamento de servicio técnico.

Modelo:

Generación: 01

N.º de serie:

es

## 2 Indicaciones de seguridad

### 2.1 Indicaciones generales de seguridad para herramientas eléctricas

- a) **¡Advertencia! Lea y asimile todas las instrucciones.** En caso de no atenerse a las instrucciones de seguridad que se describen a continuación, podrían provocarse una descarga eléctrica, un incendio y/o lesiones graves. **GUARDE ESTAS INSTRUCCIONES EN UN LUGAR SEGURO.**

#### 2.1.1 Lugar de trabajo

- a) **Mantenga su área de trabajo limpia y bien iluminada.** El desorden y una iluminación deficiente en las zonas de trabajo pueden provocar accidentes.

- b) **No utilice la herramienta en un entorno con peligro de explosión, en el que se encuentren combustibles líquidos, gases o material en polvo.** Las herramientas eléctricas producen chispas que pueden llegar a inflamar los materiales en polvo o vapores.
- c) **Mantenga alejados a espectadores, niños y otras personas de su puesto de trabajo al emplear la herramienta eléctrica.** Una distracción le puede hacer perder el control sobre la herramienta.

### 2.1.2 Seguridad eléctrica

- a) **Las herramientas eléctricas con aislamiento doble están equipadas con un enchufe polarizado (una clavija es más ancha que la otra). El enchufe debe corresponder con la toma de corriente utilizada. No está permitido modificar el enchufe en forma alguna. Si el enchufe no encajara, contacte con un electricista cualificado. No está permitido modificar el enchufe en forma alguna.** Los enchufes sin modificar adecuados a las respectivas tomas de corriente reducen el riesgo de descarga eléctrica.
- b) **Evite el contacto corporal con superficies que tengan puesta a tierra, como pueden ser tubos, calefacciones, cocinas y frigoríficos.** El riesgo a quedar expuesto a una descarga eléctrica es mayor si su cuerpo tiene contacto con el suelo.
- c) **No exponga las herramientas eléctricas a la lluvia y evite que penetren líquidos en su interior.** El riesgo de recibir descargas eléctricas aumenta si penetra agua en la herramienta eléctrica.
- d) **No utilice el cable de red para transportar o colgar la herramienta ni tire de él para extraer el enchufe de la toma de corriente. Mantenga el cable de red alejado de fuentes de calor, aceite, aristas afiladas o piezas móviles de la herramienta.** Los cables de red dañados o enredados pueden provocar descargas eléctricas.
- e) **Al trabajar con la herramienta eléctrica al aire libre, utilice cables de prolongación homologados para el uso en exteriores.** La utilización de un cable de prolongación adecuado para su uso en exteriores reduce el riesgo de una descarga eléctrica.

### 2.1.3 Seguridad de personas

- a) **Permanezca atento, preste atención durante el trabajo y utilice la herramienta eléctrica con prudencia. No utilice la herramienta eléctrica si está cansado, ni tampoco después de haber consumido alcohol, drogas o medicamentos.** Un momento de descuido al utilizar la herramienta podría conllevar serias lesiones.
- b) **Utilice ropa adecuada. No utilice vestimenta amplia ni joyas. Mantenga su pelo, vestimenta y guantes alejados de las piezas móviles.** La vestimenta suelta, las joyas y el pelo largo se pueden enganchar con las piezas en movimiento.
- c) **Evite una puesta en marcha fortuita de la herramienta. Cerciórese de que la herramienta esté desconectada antes de conectarla a la toma de corriente.** Si transporta la herramienta sujetándola por el interruptor de conexión/desconexión o si introduce el enchufe en la toma de corriente con la herramienta conectada, podría producirse un accidente.
- d) **Retire las herramientas de ajuste o llaves fijas antes de conectar la herramienta eléctrica.** Una herramienta o llave colocada en una pieza giratoria puede producir lesiones al ponerse en funcionamiento.
- e) **Actúe con precaución. Procure que la postura sea estable y manténgase siempre en equilibrio.** De esta forma podrá controlar mejor la herramienta

eléctrica en caso de presentarse una situación inesperada.

- f) **Utilice un equipo de seguridad personal. Utilice siempre gafas protectoras.** Utilice también mascarilla antipolvo, zapatos de seguridad con suela antideslizante, casco de protección o protección para los oídos cuando la situación lo requiera.

### 2.1.4 Manipulación y utilización segura de herramientas eléctricas

- a) **Utilice dispositivos de sujeción para fijar la pieza de trabajo a una base estable.** No sujete la pieza de trabajo con la mano o contra el cuerpo, puede perder el control de la herramienta eléctrica.
- b) **No sobrecargue la herramienta. Utilice la herramienta adecuada para el trabajo que se dispone a realizar.** Con la herramienta apropiada podrá trabajar mejor y de modo más seguro dentro del margen de potencia indicado.
- c) **No utilice herramientas con el interruptor defectuoso.** Las herramientas que no se puedan conectar o desconectar son peligrosas y deben repararse.
- d) **Extraiga el enchufe de la toma de corriente antes de realizar cualquier ajuste, cambiar de accesorio o al guardar la herramienta.** Esta medida preventiva reduce el riesgo de conexión accidental de la herramienta.
- e) **Guarde las herramientas fuera del alcance de los niños y de personas no cualificadas.** Las herramientas utilizadas por personas inexpertas son peligrosas.
- f) **Cuide sus herramientas adecuadamente. Mantenga los útiles limpios y afilados.** Las herramientas de corte bien cuidadas y con aristas afiladas se atascan menos y se guían con más facilidad.
- g) **Compruebe si las piezas móviles de la herramienta funcionan correctamente y sin atascarse, y si existen piezas rotas o deterioradas que pudieran afectar al funcionamiento de la herramienta. Si la herramienta estuviese dañada, solicite su reparación antes de volver a utilizarla.** Muchos accidentes son consecuencia de un mantenimiento inadecuado de la herramienta eléctrica.
- h) **Utilice sólo los accesorios recomendados para su modelo de herramienta.** Los accesorios adecuados para una herramienta determinada pueden ser peligrosos si se usan en otra herramienta.

### 2.1.5 Servicio técnico

- a) **Solicite que sea un profesional quien repare su herramienta eléctrica.** Solamente así se mantiene la seguridad de la herramienta eléctrica.
- b) **Emplee exclusivamente piezas de repuesto originales. Siga las indicaciones del apartado "Cuidado y mantenimiento".** El uso de piezas de repuesto no autorizadas o el incumplimiento de las instrucciones del apartado "Cuidado y mantenimiento" podrían provocar riesgo de descarga eléctrica o lesiones.

## 2.2 Indicaciones de seguridad específicas

- a) **Utilice siempre las cubiertas protectoras adecuadas para el disco lijador.** Suponen una protección esencial contra los fragmentos rotos que puedan desprenderse de los discos.
- b) **Los accesorios deben estar indicados como mínimo para la velocidad señalada en la etiqueta de advertencia de la herramienta.** Si hiciera funcionar los discos lijadores o tronzadores u otros accesorios a una velocidad superior a la indicada, podrían romperse y ocasionar lesiones.
- c) **Sujete la herramienta por las empuñaduras aisladas cuando realice trabajos en los que las herramientas de corte pueden entrar en contacto con cables eléctricos ocultos o con su propio cable.** El contacto con cables conductores puede traspasar la conductividad a las partes metálicas y provocar descargas eléctricas.

## 2.3 Indicaciones de seguridad generales para las aplicaciones de lijado, lijado con papel de lija, trabajos con cepillos de alambre y tronzado con muelas

- a) **Esta herramienta eléctrica debe utilizarse como lijadora, amoladora con papel de lija, cepillo de alambre y tronzadora de muela.** Tenga en cuenta las indicaciones de seguridad, las representaciones y los datos que se adjuntan con la herramienta. El incumplimiento de las siguientes indicaciones podría conllevar descargas eléctricas, incendios o lesiones graves.
- b) **Esta herramienta eléctrica no es adecuada para pulir.** El uso de la herramienta eléctrica para fines no previstos puede provocar descargas eléctricas o lesiones.
- c) **No utilice accesorios que el fabricante no haya previsto ni recomendado especialmente para esta herramienta eléctrica.** El simple hecho de que el accesorio encaje en su herramienta eléctrica no garantiza un uso seguro.
- d) **La velocidad admisible del útil debe alcanzar, como mínimo, el valor máximo indicado en la herramienta eléctrica.** Los accesorios que giren a una velocidad superior a la autorizada pueden romperse o salir despedidos.
- e) **El diámetro exterior y la anchura del útil deben corresponder con las indicaciones de su herramienta eléctrica.** Los útiles de dimensiones incorrectas no pueden controlarse ni protegerse de forma adecuada.
- f) **Los discos lijadores, bridas, muelas y otros accesorios deben encajar a la perfección con el husillo de lijado de su herramienta eléctrica.** Las herramientas que no se adapten perfectamente al husillo de lijado pueden provocar giros irregulares, fuertes vibraciones e incluso la pérdida del control.
- g) **No utilice herramientas dañadas.** Antes de utilizar la herramienta eléctrica, compruebe si hay indicios de desgaste en los discos lijadores o de agrietamiento y desgaste en los discos abrasivos, así como si hay alambres rotos o sueltos

- en los cepillos de alambre. En caso de caída, compruebe si la herramienta eléctrica o el útil ha resultado dañado y utilice en tal caso un útil no dañado. Después de verificar y utilizar la herramienta, tanto el usuario como las personas que se encuentren a su alrededor deben mantenerse alejadas de la herramienta en movimiento y dejar que funcione a máxima velocidad durante un minuto. Generalmente, las herramientas dañadas se rompen en el período de prueba.
- h) **Utilice el equipo de seguridad personal. Utilice protección completa para la cara, protección para los ojos o gafas de protección, en función de la aplicación.** Cuando la aplicación lo requiera, utilice mascarilla antipolvo, protección para los oídos, guantes de protección o un delantal especial que le sirva de pantalla frente a pequeñas partículas que puedan desprenderse en los trabajos de lijado. Utilice protección para los ojos para evitar que penetren materiales extraños que puedan desprenderse en las diferentes aplicaciones. Tanto la mascarilla antipolvo como la mascarilla ligera filtran el polvo que se produce en determinadas aplicaciones. La exposición prolongada a fuertes ruidos puede ocasionar una pérdida de audición.
- i) **Controle que terceras personas mantengan una distancia de seguridad respecto a su zona de trabajo.** Todas las personas que se encuentren en la zona de trabajo deben llevar el equipo de seguridad personal. Los fragmentos que pueden desprenderse de la pieza de trabajo o las herramientas rotas pueden salir despedidos y provocar lesiones incluso fuera de la zona de trabajo.
- j) **Sujete la herramienta por las empuñaduras aisladas cuando realice trabajos en los que la herramienta puede entrar en contacto con cables eléctricos ocultos o con el propio cable de la herramienta.** El contacto con los cables conductores puede traspasar la conductividad a las partes metálicas y producir descargas eléctricas.
- k) **Mantenga el cable de red alejado de las herramientas en movimiento.** Si pierde el control sobre la herramienta, el cable de red puede desconectarse o engancharse y la herramienta en movimiento podría ocasionarle lesiones en las manos o brazos.
- l) **Nunca guarde la herramienta eléctrica hasta que no se haya detenido por completo.** El útil en movimiento puede entrar en contacto con la superficie de trabajo haciéndole perder el control sobre la herramienta eléctrica.
- m) **No transporte la herramienta eléctrica en funcionamiento.** Su ropa puede entrar en contacto con la herramienta en movimiento de forma accidental, engancharse con ella e incluso llegar a ocasionarle lesiones.
- n) **Limpie las rejillas de ventilación con regularidad.** El ventilador del motor conduce el polvo aspirado al interior de la carcasa, de modo que una concentración elevada de polvo de metal puede dar lugar a averías eléctricas.

- o) **No utilice la herramienta eléctrica cerca de materiales inflamables.** Las chispas podrían inflamar dichos materiales.
- p) **No utilice útiles que requieran refrigerante líquido.** El uso de agua u otros refrigerantes líquidos puede producir descargas eléctricas.

#### 2.4 Descripción del rebote e indicaciones de seguridad correspondientes

El rebote es la reacción repentina causada por una herramienta atascada o bloqueada en movimiento, del tipo, por ejemplo, de discos lijadores, discos abrasivos, cepillos de alambre, etc. El atascamiento o el bloqueo origina una parada brusca de la herramienta en movimiento. Por ello, una herramienta eléctrica incontrolada se acelera en la dirección de giro opuesta respecto a la posición de bloqueo.

Si, por ejemplo, un disco lijador se atasca o bloquea en una pieza de trabajo, el borde del disco lijador que penetra en la pieza de trabajo puede engancharse y, como consecuencia, romperse o dar lugar a un rebote. El disco lijador avanza hacia el usuario o se aleja de él, según la dirección de giro del disco respecto a la posición de bloqueo. En este caso, los discos lijadores también pueden romperse.

El rebote se debe a un uso incorrecto de la herramienta eléctrica. Puede evitarse cumpliendo las medidas de seguridad pertinentes que se describen a continuación.

- a) **Sujete bien la herramienta eléctrica y mantenga su cuerpo y brazos en una posición que le permita hacer frente a las fuerzas de rebote. Utilice siempre la empuñadura adicional, en caso de existir, para tener el máximo control sobre las fuerzas de rebote o los momentos de retroceso a plena marcha.** Tomar las medidas de precaución adecuadas contribuye a tener un control absoluto sobre las fuerzas de rebote y retroceso.
- b) **No coloque nunca la mano cerca de los útiles en movimiento.** La herramienta puede efectuar movimientos bruscos a causa del rebote y alcanzarle la mano.
- c) **Mantenga una distancia de seguridad respecto a la zona de movimiento del rebote.** El rebote empuja la herramienta eléctrica en dirección opuesta al movimiento del disco lijador respecto a la posición de bloqueo.
- d) **Tenga especial cuidado cerca de las esquinas y cantos afilados y evite que los útiles reboten o se enganchen con la pieza de trabajo.** La herramienta en movimiento tiende a engancharse con las esquinas o cantos afilados en caso de rebote. Ello puede comportar la pérdida de control o el rebote de la herramienta.
- e) **No utilice ninguna hoja de sierra de cadena o dentada.** Estos útiles a menudo ocasionan el rebote o la pérdida de control de la herramienta eléctrica.

#### 2.5 Indicaciones de seguridad especiales para los trabajos de lijado y tronzado con muela

- a) **Utilice únicamente cuerpos de lijado apropiados para su herramienta eléctrica y la cubierta protectora indicada para el lijado de cada cuerpo.** Los cuerpos de lijado cuyo uso no está previsto para una herramienta determinada no pueden protegerse de forma apropiada y, como consecuencia, su aplicación no es segura.
- b) **La cubierta de protección debe colocarse de forma segura en la herramienta eléctrica y ajustarse, con la finalidad de conseguir el máximo de seguridad, de modo que sólo apunte directamente hacia el usuario la parte más pequeña posible del cuerpo de lijado.** La cubierta de protección sirve para proteger al usuario frente a fragmentos, contacto accidental con el cuerpo de lijado o chispas, que podrían prender fuego a la ropa.
- c) **Los cuerpos de lijado solamente pueden utilizarse para las aplicaciones de uso recomendadas: p. ej., no lije nunca con la superficie lateral de un disco tronzador.** Los discos tronzadores están diseñados para arrancar material con el borde. La acción de la fuerza lateral puede romper los cuerpos de lijado.
- d) **Utilice siempre bridas de apriete no dañadas de tamaño y forma adecuados para los discos lijadores elegidos.** Las bridas apropiadas sirven de soporte para los discos lijadores y reducen el riesgo de rotura de los mismos. Las bridas para discos tronzadores pueden diferenciarse de las bridas para otros discos lijadores.
- e) **No utilice discos lijadores desgastados de herramientas eléctricas de mayores dimensiones.** Los discos lijadores para herramientas eléctricas más grandes no son apropiados para las elevadas velocidades desarrolladas por las herramientas eléctricas de menor tamaño, puesto que podrían romperse.

#### 2.6 Otras indicaciones de seguridad especiales para tronzado con muela

- a) **Evite el bloqueo del disco tronzador y una presión de apriete demasiado alta. No realice cortes excesivamente profundos.** La sobrecarga de los discos tronzadores aumenta el desgaste y la tendencia al atascamiento o bloqueo y, con ello, la posibilidad de rebote o rotura del disco lijador.
- b) **Evite traspasar la zona trasera y delantera del disco tronzador.** Si aparta mucho de su cuerpo el disco tronzador insertado en la pieza de trabajo, en caso de rebote la herramienta eléctrica con el disco en movimiento puede salir disparada directamente hacia usted.
- c) **Si el disco tronzador se atasca o el trabajo se interrumpe, desconecte la herramienta y espere a que el disco deje de girar. Nunca extraiga el disco tronzador de la herramienta antes de que se haya detenido por completo; en caso contrario,**

- podría producirse un rebote. Detecte la causa del atascamiento y subsane el problema.
- d) **No vuelva a conectar la herramienta eléctrica hasta que ésta no se encuentre en la pieza de trabajo. Deje que el disco tronzador alcance su máxima velocidad antes de continuar con el corte y proceda con el máximo cuidado.** En caso contrario, el disco puede engancharse, saltarse bruscamente de la pieza de trabajo o rebotar.
- e) **Sujete las placas o las piezas de trabajo grandes para evitar el efecto rebote inducido por discos tronzadores atascados.** Las piezas de trabajo grandes pueden doblarse por su propio peso. La pieza de trabajo debe hallarse sostenida por ambos lados, tanto cerca del corte de separación como en la esquina.
- f) **Tenga especial cuidado con los "cortes tipo bolsa" en las paredes o en otras zonas ocultas.** Los discos tronzadores pueden provocar un rebote al cortar conductos de gas o agua, cables eléctricos u otros objetos.

### 2.7 Indicaciones de seguridad especiales para el lijado con papel de lija

- a) **No utilice hojas lijadoras de dimensiones excesivas y siga siempre las instrucciones del fabricante en lo que se refiere al tamaño de las hojas.** Las hojas lijadoras que sobresalen de las muelas pueden causar lesiones, así como el bloqueo o ruptura de las hojas o el rebote de la herramienta.

### 2.8 Indicaciones de seguridad especiales para los trabajos con cepillos de alambre

- a) **Tenga en cuenta que los cepillos de alambre también pierden fragmentos de alambre durante su uso habitual. No sobrecargue los alambres con una presión de apriete demasiado alta.** Los fragmentos de alambre que se desprenden pueden atravesar la ropa delgada o penetrar fácilmente en la piel.
- b) **Si se recomienda una cubierta protectora, evite que dicha protección entre en contacto con los cepillos de alambre.** El diámetro de los cepillos de vaso y de plato puede incrementarse a causa de la presión de apriete y las fuerzas centrífugas.

### 2.9 Indicaciones de seguridad adicionales

#### 2.9.1 Seguridad de personas

- a) **Utilice protección para los oídos.** El ruido constante puede reducir la capacidad auditiva.
- b) **Sujete siempre la herramienta con ambas manos por las empuñaduras previstas.** Mantenga las empuñaduras secas, limpias y sin residuos de aceite o grasa.
- c) **Si la herramienta se utiliza sin un sistema de aspiración de polvo, debe emplearse una mascarilla ligera al realizar trabajos que generen polvo.**
- d) **Efectúe pausas durante el trabajo, así como ejercicios de relajación y estiramiento de los dedos para mejorar la circulación.**

- e) **Evite tocar las piezas en movimiento. No conecte la herramienta fuera de la zona de trabajo.** Si se tocan piezas en movimiento, en especial herramientas rotativas, pueden ocasionarse lesiones.
- f) **Retire siempre hacia atrás el cable eléctrico y el alargador durante el trabajo.** De esta forma se evita el peligro de tropiezo por culpa del cable.
- g) **Es conveniente advertir a los niños de que no deben jugar con la herramienta.**
- h) **La herramienta no es apta para el uso por parte de niños o de personas físicamente no preparadas que no tengan la debida instrucción.**
- i) **ADVERTENCIA: Ciertos tipos de polvo que se producen al realizar trabajos de desbarbado, lijado, tronzado y taladrado, contienen sustancias químicas, conocidas por provocar cáncer, que ocasionan malformaciones en el feto, esterilidad, problemas en las vías respiratorias y otras lesiones.** Entre estas sustancias químicas se encuentran el plomo de la pintura de plomo, el cuarzo cristalino derivado de ladrillos secos, hormigón, mampostería o piedras naturales, o el arsénico y el cromo derivados de la madera de construcción tratada con productos químicos. El nivel de riesgo varía dependiendo de la frecuencia con la que se realizan estos trabajos. **Para reducir los efectos de estas sustancias químicas, tanto el usuario como terceras personas deben trabajar en espacios con buena ventilación y usar siempre equipos de seguridad autorizados. Utilice una mascarilla adecuada para determinados tipos de polvo que pueda filtrar además partículas microscópicas y mantenga alejado el polvo de la cara y el cuerpo. Evite un contacto prolongado con el polvo. Utilice prendas protectoras y lave con agua y jabón las partes de su cuerpo que hayan estado en contacto con el polvo.** La inhalación de partículas de polvo a través de la boca y el contacto prolongado del polvo con la piel y los ojos puede favorecer la ingestión de sustancias químicas perjudiciales para la salud.

#### 2.9.2 Manipulación y utilización con precaución de las herramientas eléctricas

- a) **Los discos lijadores tienen que ser almacenados y manipulados con cuidado según las indicaciones del fabricante.**
- b) **Asegúrese de que las herramientas para lijar están montadas según las indicaciones del fabricante.**
- c) **Utilice capas intermedias, si se ponen a disposición con la herramienta para lijar y en caso de que se requiera su utilización.**
- d) **No utilice la herramienta eléctrica sin cubierta de protección.**
- e) **Fije la pieza de trabajo de forma adecuada.**
- f) **No utilice discos tronzadores para realizar trabajos de desbastado.**
- g) **Encargue la revisión de la herramienta al servicio técnico de Hilti en caso de que sufra una caída, se rompa un disco o se produzcan otros impactos mecánicos.**

- h) **Procure que las chispas producidas durante la utilización de la herramienta no provoquen ninguna situación de peligro, por ejemplo, que le alcancen directamente a usted o a otras personas. Para ello colóquela cubierta correctamente.**
- i) **En caso de una interrupción de la corriente: desconecte la herramienta y extraiga el enchufe.** Esto evita la puesta en servicio involuntaria de la herramienta en caso de que vuelva la corriente.

### 2.9.3 Seguridad eléctrica



- a) **Compruebe (sirviéndose, por ejemplo, de un detector de metales) antes de empezar a trabajar si la zona de trabajo oculta cables eléctricos, tuberías de gas o cañerías de agua.** Las partes metálicas exteriores de la herramienta pueden conducir electricidad si, por ejemplo, se ha dañado accidentalmente una conducción eléctrica. Esto conlleva un peligro grave de descarga eléctrica.
- b) **Compruebe con regularidad la línea de conexión de la herramienta y en caso de que tuviera daños, encargue su sustitución a un profesional experto en la materia. Si el cable de conexión de la herramienta eléctrica está dañado debe reemplazarse por un cable especial que encontrará en nuestro servicio postventa. Inspeccione regularmente los alargadores y sustitúyalos en caso de que estuvieran dañados. Si se daña el cable de red o el alargador durante el trabajo, evite tocar el cable. Extraiga el enchufe de red de la toma de corriente.** Los cables de conexión y los alargadores dañados son un peligro porque pueden ocasionar una descarga eléctrica.
- c) **Encargue la revisión de la herramienta al servicio técnico de Hilti en caso de tratar con frecuencia**

- materiales conductores a intervalos regulares.** El polvo adherido a la superficie de la herramienta, sobre todo el de los materiales conductivos, o la humedad pueden provocar descargas eléctricas bajo condiciones desfavorables.
- d) **Al trabajar con una herramienta eléctrica al aire libre, asegúrese de que la herramienta esté conectada mediante un interruptor de corriente de defecto (GFCI) con un máximo de 30 mA de corriente de activación a la red eléctrica.** El uso de un interruptor de corriente de defecto reduce el riesgo de una descarga eléctrica.
- e) **Se recomienda en principio la utilización de un interruptor de corriente de defecto (GFCI) con una corriente de desconexión máxima de 30 mA.**

### 2.9.4 Lugar de trabajo

- a) **Procure que haya una buena iluminación en la zona de trabajo.**
- b) **Procure que haya una buena ventilación del lugar de trabajo.** Los lugares de trabajo mal ventilados pueden perjudicar la salud debido a la carga de polvo.

### 2.9.5 Equipo de seguridad personal



**El usuario y las personas que se encuentren en las inmediaciones de la zona de uso de la herramienta deberán llevar gafas protectoras, casco de protección, protección para los oídos, guantes de protección y una mascarilla ligera homologados según la norma ANSI Z87.1.**

## 3 Descripción

### 3.1 Uso conforme a las prescripciones

Esta herramienta es una amoladora angular de funcionamiento eléctrico diseñada para uso profesional en el ámbito de la construcción. La herramienta está destinada al tronzado, desbastado y cepillado de materiales metálicos y minerales sin el empleo de agua.

Siga las indicaciones relativas al manejo, cuidado y mantenimiento que se describen en el manual de instrucciones.

Trabajar metal: tronzar, desbastar, lijar, cepillar.

Trabajar superficies minerales: tronzar, entallar y lijar.

Utilice sólo herramientas de trabajo (discos lijadores, discos tronzadores) que puedan usarse para una velocidad mínima de 8.500 rpm, tengan un diámetro máx. de 7" y que admitan una velocidad periférica de 80 m/s.

A fin de evitar el riesgo de lesiones, utilice exclusivamente accesorios y herramientas de Hilti.

No deben trabajarse materiales nocivos para la salud (p. ej., amianto).

Observe asimismo la normativa nacional vigente sobre prevención de riesgos laborales.

No está permitido efectuar manipulaciones o modificaciones en la herramienta.

Un funcionamiento correcto sólo es posible con la frecuencia y tensión de alimentación especificada en la placa de identificación.

El entorno de trabajo puede ser: obra, taller, renovaciones, mudanzas y obra nueva.

Esta herramienta ha sido diseñada para el usuario profesional y solo debe ser manejada, conservada y reparada por personal autorizado y debidamente formado. Este personal debe estar especialmente instruido en lo referente a los riesgos de uso. La herramienta y sus dispositivos auxiliares pueden conllevar riesgos para el usuario en caso de manejarse de forma inadecuada por personal no cualificado o utilizarse para usos diferentes a los que están destinados.

Tenga en cuenta las condiciones ambientales. No utilice la herramienta en lugares donde exista peligro de incendio o explosión.

### 3.2 Empuñaduras

Empuñadura lateral

es

### 3.3 Interruptor

Interruptor de conexión y desconexión con bloqueo

### 3.4 El suministro del equipamiento de serie incluye:

- 1 Herramienta
- 1 Cubierta de protección
- 1 Empuñadura lateral
- 1 Brida de apriete para disco acodado
- 1 Tuerca de apriete
- 1 Llave de apriete
- 1 Manual de instrucciones
- 1 Embalaje de cartón

### 3.5 Utilización de alargadores

Utilice sólo el alargador autorizado con una sección suficiente para el campo de aplicación. De lo contrario podría generarse una pérdida de potencia de la herramienta y un sobrecalentamiento del cable. Controle regularmente el alargador por si estuviera dañado. Sustituya los alargadores dañados.

#### Sección mínima recomendada y longitud máxima del cable

Sección de cable	14 AWG	12 AWG
Tensión de alimentación 110-120 V	75 ft	125 ft

No utilice alargadores con una sección de cable de 16 AWG.

### 3.6 Alargador para trabajar al aire libre

Al trabajar al aire libre, utilice únicamente alargadores autorizados que estén correspondientemente identificados.

### 3.7 Uso de un generador o transformador

Esta herramienta puede accionarse alimentada por un generador o transformador (por cuenta de la empresa explotadora) si se cumplen las siguientes condiciones: la potencia útil en vatios debe ser al menos el doble de la potencia que figura en la placa de identificación de la herramienta; la tensión de servicio debe oscilar siempre entre +5 % y -15 % respecto a la tensión nominal y la frecuencia debe ser de 50 a 60 Hz (nunca debe superar 65 Hz); debe existir, además, un regulador de tensión automático con refuerzo de arranque.

No utilice el generador o el transformador con varias herramientas a la vez. La conexión y desconexión de otras herramientas puede ocasionar picos de subtensión o sobretensión que podrían dañar la herramienta.

### 3.8 Cubierta de protección de chapa

#### PRECAUCIÓN

**Para lijar con discos de lijado rectos y para el tronzado de materiales metálicos con discos tronzadores, utilice siempre la cubierta protectora de chapa.** Disponible como accesorio opcional.



## 4 Datos técnicos

Reservado el derecho a introducir modificaciones técnicas.

Herramienta	DAG 700-P
Tensión de referencia	120 V
Intensidad nominal	15 A
Frecuencia nominal	60 Hz
Velocidad de medición	8.500/min
Discos tronzadores	Ø 7"
Dimensiones (L × Al × An) sin cubierta	473 mm (18,62") x 136 mm (5,35") x 105 mm (4,13")
Peso de la herramienta	5,7 kg (12,57 lb)

### Información sobre la herramienta y su aplicación

Husillo de accionamiento roscado	5/8"-11
Longitud del husillo	3/4"
Clase de protección	Clase de protección II (aislamiento doble)

## 5 Puesta en servicio



### ADVERTENCIA

No utilice la herramienta eléctrica sin cubierta de protección.

#### 5.1 Montaje de la empuñadura lateral

### ADVERTENCIA

La empuñadura lateral debe montarse para realizar cualquier trabajo.

Atornille la empuñadura lateral a la parte izquierda, derecha o superior de la herramienta.

#### 5.2 Cubierta de protección

### PRECAUCIÓN

La parte cerrada de la cubierta debe estar siempre dirigida hacia el usuario.

### INDICACIÓN

El resalte codificador de la cubierta de protección asegura que sólo pueda montarse una cubierta de protección adecuada para la herramienta. Además, este resalte evita que la cubierta caiga sobre la herramienta.

#### 5.2.1 Montaje y desmontaje de la cubierta de protección 2

1. Extraiga el enchufe de red de la toma de corriente.
2. Coloque la protección con los salientes en la ranura del cuello del husillo y gire en la dirección de trabajo necesaria.
3. Fije la protección con el tornillo.

4. Para desmontar la cubierta de protección, realice el procedimiento descrito en orden inverso.

#### 5.2.2 Ajuste de la cubierta de protección 3

1. Extraiga el enchufe de red de la toma de corriente.
2. Afloje el tornillo.
3. Gire la cubierta a la posición deseada.
4. Fije la protección con el tornillo.

#### 5.2.3 Montaje y desmontaje de la cubierta de protección (sin herramienta) 4

### INDICACIÓN

La cubierta de protección ya está ajustada para el diámetro de apriete correcto mediante el tornillo de ajuste. En caso de que, una vez colocada la cubierta de protección, la tensión sea insuficiente, esta se puede incrementar apretando ligeramente el tornillo de ajuste.

1. Extraiga el enchufe de red de la toma de corriente.
2. Abra la palanca de tensado.
3. Introduzca la cubierta de protección con el resalte codificador en la ranura codificadora del cuello del husillo del cabezal de la herramienta.
4. Gire la cubierta de protección a la posición requerida.
5. Cierre la palanca de tensado para fijar la cubierta.
6. Para desmontar la cubierta de protección, realice el procedimiento descrito en orden inverso.

#### 5.2.4 Ajuste de la cubierta de protección (sin herramienta) 5

1. Extraiga el enchufe de red de la toma de corriente.
2. Abra la palanca de tensado.
3. Gire la cubierta a la posición deseada.
4. Cierre la palanca de tensado.

### 5.3 Montaje de discos

#### PELIGRO

Asegúrese de que la velocidad indicada en la herramienta para lijar es igual o mayor a la velocidad de medición de la lijadora.

#### PELIGRO

Controle el disco lijador siempre antes de su utilización. No utilice productos rotos, agrietados o dañados de cualquier otra forma.

#### PELIGRO

No utilice discos con un diámetro superior a 7".

### 5.3.1 Montaje de discos rectos 6

#### PRECAUCIÓN

Para lijar con discos de lijado rectos y para el tronado de materiales metálicos con discos tronados, utilice siempre la cubierta protectora de chapa. Disponible como accesorio opcional.

#### ADVERTENCIA

La utilización de discos rectos y bridas de apriete acodadas puede provocar rotura de discos.

1. Extraiga el enchufe de red de la toma de corriente.
2. Limpie la brida de apriete para discos rectos.
3. Coloque la brida de apriete interna para discos rectos sobre el husillo de amolar.

4. Coloque el disco recto.
5. Coloque la brida de apriete externa para discos rectos sobre el husillo de amolar.
6. Atornille la tuerca de apriete.
7. **PRECAUCIÓN El botón de bloqueo del husillo sólo se puede accionar si el husillo de lijado está parado.**  
Pulse el botón de bloqueo y manténgalo pulsado.
8. Atornille la tuerca de apriete con la llave de mandril y a continuación suelte el botón de bloqueo del husillo.

### 5.3.2 Montaje de discos acodados 7

#### ADVERTENCIA

La utilización de discos rectos y bridas de apriete acodadas puede provocar rotura de discos.

1. Extraiga el enchufe de red de la toma de corriente.
2. Limpie la brida de apriete para discos acodados.
3. Coloque la brida de apriete para discos acodados sobre el husillo de amolar.
4. Coloque el disco acodado.
5. Atornille la tuerca de apriete.
6. **PRECAUCIÓN El botón de bloqueo del husillo sólo se puede accionar si el husillo de lijado está parado.**  
Pulse el botón de bloqueo y manténgalo pulsado.
7. Atornille la tuerca de apriete con la llave de mandril y a continuación suelte el botón de bloqueo del husillo.

## 6 Manejo



#### INDICACIÓN

Adapte la posición de la cubierta de protección a las exigencias de cada proceso de trabajo.

#### PELIGRO

Utilice protección para los oídos. El ruido constante puede reducir la capacidad auditiva.

#### PRECAUCIÓN

La parte cerrada de la cubierta debe estar siempre dirigida hacia el usuario.

#### ADVERTENCIA

Como prueba, deje funcionar las herramientas nuevas para lijar a la velocidad de giro en vacío máxima durante un mínimo de 30 segundos en un lugar seguro.

#### ADVERTENCIA

Las grietas en paredes portantes pueden influir en la estática, especialmente al seccionar hierro reforzador o elementos portadores. **Antes de comenzar el trabajo**

pregunte al ingeniero, al arquitecto o a la dirección de construcción responsable.

#### ADVERTENCIA

La tensión de alimentación debe coincidir con los datos que aparecen en la placa de identificación de la herramienta.

#### ADVERTENCIA

Manipule siempre la herramienta por la empuñadura lateral.

#### PRECAUCIÓN

Fije las piezas de trabajo sueltas con un dispositivo de sujeción o un tornillo de banco.

#### ADVERTENCIA

Durante el proceso de lijado pueden desprenderse virutas de material. **Utilice protección para los ojos.**

#### PRECAUCIÓN

Si la herramienta se utiliza sin un sistema de aspiración de polvo, debe emplearse una mascarilla ligera al realizar trabajos que generen polvo.

**ADVERTENCIA**

Evite tocar las piezas en movimiento. No conecte la herramienta fuera de la zona de trabajo. Si se tocan piezas en movimiento, en especial herramientas rotativas, pueden ocasionarse lesiones.

**PRECAUCIÓN**

La herramienta puede calentarse durante el funcionamiento. Utilice guantes de protección al cambiar de útil.

**ADVERTENCIA**

Al realizar trabajos de tronzado, no ladee el disco en el plano de tronzado y no fuerce la herramienta demasiado. De lo contrario, puede producirse la parada de la herramienta, un rebote o la rotura del disco.

**PRECAUCIÓN**

Efectúe pausas durante el trabajo, así como ejercicios de relajación y estiramiento de los dedos para mejorar la circulación.

**ADVERTENCIA**

Mantenga alejados materiales inflamables de la zona de trabajo.

**6.1 Conectar/desconectar con bloqueo de conexión**

**6.1.1 Conexión y bloqueo**

1. Inserte el enchufe de la herramienta en la toma de corriente.
2. Presione el interruptor de conexión y desconexión y a continuación el interruptor de bloqueo.

**6.1.2 Desconexión después del bloqueo**

Pulse el interruptor de conexión y desconexión (el bloqueo se suelta).

**7 Cuidado y mantenimiento**

**PRECAUCIÓN**

Extraiga el enchufe de red de la toma de corriente.

**7.1 Cuidado de la herramienta**

**PELIGRO**

En condiciones de uso extremas al tratar metales puede depositarse polvo conductor en el interior de la herramienta. El aislamiento de protección de la herramienta podría verse afectado. **En estos casos se recomienda el uso de un dispositivo de aspiración estacionario, una limpieza profunda de las rejillas de ventilación y la conexión de un interruptor de corriente de defecto (GFCI).**

La carcasa exterior de la herramienta está fabricada en plástico resistente a los golpes. La empuñadura es de un material elastómero.

**6.2 Indicaciones para el manejo**

**INDICACIÓN**

Trabaje con una presión moderada.

**INDICACIÓN**

Lo más importante es la dirección en la que se efectúa el corte. La herramienta siempre debe trabajar en sentido opuesto. De lo contrario, existe el peligro de que la herramienta se salga de forma descontrolada del corte.

**INDICACIÓN**

Para los metales no férricos (p. ej., aluminio) se deben utilizar discos especiales.

**INDICACIÓN**

Con superficies minerales especialmente duras con un alto porcentaje de guijarros, el disco tronzador se puede sobrecalentar y, por consiguiente, dañar. Esto se aprecia claramente en que se desprenden chispas en todo el perímetro del disco tronzador. En este caso, se debe interrumpir el proceso de tronzado y dejar que el disco se enfríe; para ello se dejará funcionar brevemente en vacío y sin carga.

**INDICACIÓN**

Si se aprecia que cada vez se avanza menos en el trabajo, puede significar que los segmentos están romos. Estos se pueden afilar haciendo cortes en material abrasivo (placa de afilado Hilti o piedra arenisca calcárea abrasiva).

**6.3 Desbastado**

**PRECAUCIÓN**

**No utilice discos tronzadores para realizar trabajos de desbastado.**

Para obtener los resultados óptimos al desbastar se debe colocar el disco lijador en un ángulo de 30° con respecto a la superficie de lijado. Si la carga es excesiva durante este proceso, se daña la herramienta y se incrementa el desgaste del disco, obteniendo así peores resultados.

No utilice nunca la herramienta si esta tiene obstruidas las ranuras de ventilación. Limpielas cuidadosamente con un cepillo seco. Evite la penetración de cuerpos extraños en el interior de la herramienta. Limpie regularmente el exterior de la herramienta con un paño ligeramente humedecido. No utilice pulverizadores, aparatos de chorro de vapor o agua corriente para la limpieza, ya que podría afectar a la seguridad eléctrica de la herramienta. Mantenga siempre las empuñaduras de la herramienta limpias de aceite y grasa. No utilice ningún producto de limpieza que contenga silicona.

**7.2 Mantenimiento**

**ADVERTENCIA**

**No use la herramienta si alguna parte está dañada, si el sistema electrónico está defectuoso o si alguno de**

los elementos de mando no funciona bien. Encargue la reparación de la herramienta al servicio técnico de Hilti.

#### ADVERTENCIA

La reparación de los componentes eléctricos solo puede llevarla a cabo un técnico electricista cualificado.

Compruebe regularmente que ninguna de la partes exteriores de la herramienta esté dañada y que todos los elementos de manejo se encuentren en perfecto estado de funcionamiento.

#### 7.3 Control después de las tareas de cuidado y mantenimiento

Una vez realizados los trabajos de cuidado y mantenimiento debe comprobarse si están colocados todos los dispositivos de protección y si estos funcionan correctamente.

es

## 8 Herramientas, accesorios

Discos para Ø máx. de 7", a 8.500 rpm y con una velocidad periférica de 80 m/s

Denominación	Abreviatura	Descripción
Herramienta abrasiva		Modelo 1, modelo 41, modelo 42
Herramienta de diamante	DC-D 7"	
Cepillo de alambre		Ø Máx. 7"
Disco de láminas		Ø Máx. 7"

#### Accesorios

Denominación
Cubierta de protección de chapa
Aspirador de polvo de la gama de productos Hilti
Brida de apriete interior para disco recto
Brida de apriete exterior para disco recto

## 9 Localización de averías

Fallo	Posible causa	Solución
La herramienta no se pone en marcha.	Suministro de corriente interrumpido.	Enchufe otra herramienta eléctrica y compruebe si funciona.
	Cable de red o enchufe defectuosos.	Encargue la revisión a un técnico cualificado y su sustitución en caso necesario.
	Carbón desgastado.	Encargue la revisión a un técnico cualificado y su sustitución en caso necesario.
La herramienta no desarrolla toda la potencia.	Alargador con sección insuficiente.	Utilice un cable alargador con sección suficiente.

## 10 Reciclaje



Gran parte de las herramientas Hilti están fabricadas con materiales reutilizables. La condición para dicha reutilización es una separación de materiales adecuada. En muchos países, Hilti ya dispone de un servicio de recogida de la herramienta usada. Póngase en contacto con el servicio de atención al cliente de Hilti o con su asesor de ventas.

ES

## 11 Garantía del fabricante de las herramientas

Hilti garantiza la herramienta suministrada contra todo fallo de material y de fabricación. Esta garantía se otorga a condición de que la herramienta sea utilizada, manejada, limpiada y revisada en conformidad con el manual de instrucciones de Hilti, y de que el sistema técnico sea salvaguardado, es decir, que se utilicen en la herramienta exclusivamente consumibles, accesorios y piezas de recambio originales de Hilti.

Esta garantía abarca la reparación gratuita o la sustitución sin cargo de las piezas defectuosas durante toda la vida útil de la herramienta. La garantía no cubre las piezas sometidas a un desgaste normal.

**Quedan excluidas otras condiciones que no sean las expuestas, siempre que esta condición no sea contraria a las prescripciones nacionales vigentes.**

**Hilti no acepta la responsabilidad especialmente en relación con deterioros, pérdidas o gastos directos, indirectos, accidentales o consecutivos, en relación con la utilización o a causa de la imposibilidad de utilización de la herramienta para cualquiera de sus finalidades. Quedan excluidas en particular todas las garantías tácitas relacionadas con la utilización y la idoneidad para una finalidad precisa.**

Para toda reparación o recambio, les rogamos que envíen la herramienta o las piezas en cuestión a la dirección de su organización de venta Hilti más cercana inmediatamente después de la constatación del defecto.

Estas son las únicas obligaciones de Hilti en materia de garantía, las cuales anulan toda declaración anterior o contemporánea, del mismo modo que todos los acuerdos orales o escritos en relación con las garantías.

## Rebarbadora angular DAG 700-P

**Antes de utilizar a ferramenta, por favor leia atentamente o manual de instruções.**

**Conserve o manual de instruções sempre junto da ferramenta.**

**Entregue a ferramenta a outras pessoas apenas juntamente com o manual de instruções.**

Índice	Página
1 Informação geral	39
2 Normas de segurança	40
3 Descrição	45
4 Características técnicas	46
5 Antes de iniciar a utilização	47
6 Utilização	48
7 Conservação e manutenção	49
8 Ferramentas, acessórios	49
9 Avarias possíveis	50
10 Reciclagem	50
11 Garantia do fabricante - Ferramentas	50

**1** Estes números referem-se a figuras. Estas encontram-se nas contracapas desdobráveis. Ao ler as instruções, mantenha as contracapas abertas.

Neste manual de instruções, a palavra «ferramenta» refere-se sempre à rebarbadora angular DAG 700-P.

**Componentes, comandos operativos e elementos de indicação 1**

- 1 Porca tensora
- 2 Falange de aperto externa para disco plano
- 3 Disco plano
- 4 Falange de aperto interna para disco plano
- 5 Disco côncavo
- 6 Falange de aperto para disco côncavo
- 7 Patilha de posicionamento
- 8 Resguardo do disco
- 9 Veio
- 10 Parafuso de ajuste
- 11 Alavanca de aperto
- 12 Saliência de apoio
- 13 Casquilhos roscados para os punhos
- 14 Botão de bloqueio do veio
- 15 Punho auxiliar
- 16 Interruptor on/off com bloqueio
- 17 Chave de aperto

### 1 Informação geral

#### 1.1 Indicações de perigo e seu significado

##### PERIGO

Indica perigo iminente que pode originar acidentes pessoais graves ou até mesmo fatais.

##### AVISO

Indica uma situação potencialmente perigosa que pode causar graves ferimentos pessoais, até mesmo fatais.

##### CUIDADO

Indica uma situação potencialmente perigosa que pode originar ferimentos ligeiros ou danos na ferramenta ou noutros materiais.

##### NOTA

Indica instruções ou outras informações úteis.

#### 1.2 Significado dos pictogramas e outras notas

##### Sinais de aviso



Perigo geral



Perigo:  
electricidade

## Sinais de obrigação



Use óculos de protecção



Use capacete de segurança



Use protecção auricular



Use luvas de protecção



Use máscara antipoeiras

pt

## Símbolos



Leia o manual de instruções antes de utilizar a ferramenta.



Recicle os desperdícios

V

Volt

A

Ampere

Hz

Hertz



Corrente alternada

n

Velocidade nominal

/min

Rotações por minuto

RPM

Rotações por minuto



Diâmetro



com duplo isolamento

## Localização da informação na ferramenta

A designação e o número de série da ferramenta constam da placa de características. Anote estes dados no seu manual de instruções e faça referência a estas indicações sempre que necessitar de qualquer peça/acessório para a ferramenta.

Tipo:

Geração: 01

Número de série:

## 2 Normas de segurança

### 2.1 Normas de segurança gerais para ferramentas eléctricas

- a) **AVISO: Leia e compreenda todas as instruções.** O desrespeito de todas as instruções a seguir enunciadas pode resultar em choque eléctrico, incêndio e/ou lesões graves. **GUARDE BEM ESTAS INSTRUÇÕES.**

#### 2.1.1 Local de trabalho

- a) **Mantenha a sua área de trabalho limpa e bem iluminada.** Desordem e fraca iluminação podem ser causa de acidentes.
- b) **Não opere com a ferramenta em ambientes explosivos ou na proximidade de líquidos ou gases inflamáveis.** Ferramentas eléctricas produzem faíscas que podem provocar a ignição de pó e vapores.

- c) **Mantenha espectadores, crianças e terceiros afastados durante os trabalhos.** Distrações podem conduzir à perda de controlo sobre a ferramenta.

#### 2.1.2 Segurança eléctrica

- a) **Ferramentas eléctricas com duplo isolamento estão equipadas com uma ficha eléctrica à prova de troca de polaridade (um perno é mais largo do que o outro). A ficha deve servir na tomada. A ficha não deve ser modificada de modo algum. Se a ficha não servir, peça o conselho de um electricista qualificado. A ficha não deve ser modificada de modo algum.** Fichas originais (não modificadas) e tomadas adequadas reduzem o risco de choque eléctrico.

- b) **Evite o contacto do corpo com superfícies ligadas à terra, como, por exemplo, canos, radiadores, fogões e frigoríficos.** Existe um risco elevado de choque eléctrico se o corpo estiver em contacto com a terra.
- c) **A ferramenta eléctrica não deve ser exposta à chuva nem à humidade.** A infiltração de água na ferramenta eléctrica aumenta o risco de choque eléctrico.
- d) **Não use o cabo para transportar, arrastar ou desligar a ferramenta da tomada. Mantenha o cabo afastado de calor, óleo, arestas vivas ou partes em movimento da ferramenta.** Cabos danificados ou emaranhados aumentam o risco de choque eléctrico.
- e) **Quando operar uma ferramenta eléctrica ao ar livre, utilize um cabo de extensão aprovado para utilização no exterior identificado com "W-A" ou "W".** A utilização de cabos de extensão próprios para exterior reduz o risco de choque eléctrico.

### 2.1.3 Segurança física

- a) **Esteja atento ao que está a fazer e tenha prudência ao trabalhar com a ferramenta eléctrica. Não use a ferramenta eléctrica se estiver cansado ou sob a influência de drogas, álcool ou medicamentos.** Um momento de distração ao operar a ferramenta pode causar ferimentos graves.
- b) **Use roupa apropriada. Não use roupa larga ou jóias. Mantenha o cabelo, vestuário e luvas afastados das peças móveis.** Roupas largas, jóias ou cabelos compridos podem ficar presos nas peças móveis.
- c) **Evite um arranque involuntário. Assegure-se de que o interruptor está na posição "desligado", antes de introduzir a ficha na tomada.** Transportar a ferramenta eléctrica com o dedo no interruptor ou ligar uma ferramenta à tomada com o interruptor ligado (ON) pode resultar em acidentes.
- d) **Remova quaisquer chaves de ajuste (chaves de fenda), antes de ligar a ferramenta eléctrica.** Um acessório ou chave deixado preso numa parte rotativa da ferramenta pode causar ferimentos.
- e) **Não exceda os seus limites. Mantenha sempre uma posição correcta, em perfeito equilíbrio.** Desta forma será mais fácil manter o controlo sobre a ferramenta em situações inesperadas.
- f) **Use equipamento de segurança. Use sempre óculos de protecção.** Deve usar-se máscara antipoeiras, sapatos de segurança antiderrapantes, capacete de segurança ou protecção auricular quando as condições o exigirem.

### 2.1.4 Utilização e manutenção de ferramentas eléctricas

- a) **A peça a trabalhar deve ser presa com dispositivos de fixação sobre uma base estável.** Segurar a peça a trabalhar com as mãos ou o corpo não constitui uma fixação segura e pode levar à perda de controlo da ferramenta eléctrica.
- b) **Não sobrecarregue a ferramenta. Use para o seu trabalho a ferramenta eléctrica correcta.** Com a

ferramenta eléctrica adequada obterá maior eficiência e segurança se respeitar os seus limites.

- c) **Não utilize a ferramenta eléctrica se o interruptor estiver defeituoso.** Uma ferramenta eléctrica que já não possa ser accionada pelo interruptor é perigosa e deve ser reparada.
- d) **Retire a ficha da tomada antes de efectuar ajustes no aparelho, substituir acessórios ou guardar o aparelho.** Esta medida preventiva evita o accionamento accidental da ferramenta.
- e) **Guarde ferramentas eléctricas não utilizadas fora do alcance das crianças e de outras pessoas não qualificadas.** Ferramentas eléctricas operadas por pessoas não treinadas são perigosas.
- f) **Trate da sua ferramenta eléctrica com cuidado. Mantenha as ferramentas de corte sempre afiadas e limpas.** Ferramentas de corte com gumes afiados tratadas correctamente emperram menos e são mais fáceis de controlar.
- g) **Verifique se as partes móveis da ferramenta funcionam perfeitamente e não emperram, se há peças quebradas ou danificadas, que possam influenciar o funcionamento da ferramenta. Em caso de danos, mande reparar a ferramenta antes da utilização.** Muitos acidentes são causados por ferramentas eléctricas com manutenção deficiente.
- h) **Utilize apenas acessórios recomendados para a sua ferramenta.** Acessórios adequados à ferramenta podem constituir um perigo se forem utilizados com outras ferramentas.

### 2.1.5 Reparação

- a) **A sua ferramenta eléctrica só deve ser reparada por pessoal qualificado.** Isto garante que a segurança da ferramenta se mantenha.
- b) **Utilize exclusivamente peças/acessórios originais. Siga as instruções no capítulo "Conservação e manutenção".** Em caso de utilização de peças não aprovadas ou inobservância das indicações do capítulo "Conservação e manutenção", existe o risco de choque eléctrico ou o perigo de lesões.

### 2.2 Normas de segurança específicas

- a) **Utilize sempre os resguardos de disco adequados com o disco de corte e rebarbar. Estes protegem o operador dos fragmentos de disco partidos.**
- b) **Os acessórios devem estar dimensionados para, no mínimo, a velocidade que consta no autocollante de aviso na ferramenta eléctrica.** Discos de rebarbar ou de corte e outros acessórios operados a velocidade excessiva podem fragmentar-se, o que pode resultar em lesões.
- c) **Segure a ferramenta pelas superfícies isoladas dos punhos quando executar trabalhos onde o disco de corte pode entrar em contacto com cabos eléctricos enterrados ou com o próprio cabo de rede.** O contacto com um cabo condutor de corrente faz com que peças metálicas não isoladas



estejam sob tensão e o operador da ferramenta receba um choque eléctrico.

### 2.3 Normas de segurança comuns para trabalhos de rebarbar, lixar com papel abrasivo, trabalhos com escovas de arame e discos de corte

- a) Esta ferramenta eléctrica é para ser utilizada como rebarbadora, lixadora de papel abrasivo, escova de arame e cortadora por abrasão. Observe todas as normas de segurança, instruções, ilustrações e dados que vêm com a ferramenta. Caso não observar as instruções que se seguem, pode ocorrer choque eléctrico, incêndio e/ou ferimentos graves.
- b) Esta ferramenta eléctrica não é adequada para trabalhos de polimento. Aplicações, para as quais a ferramenta eléctrica não está prevista, podem provocar perigos e ferimentos.
- c) Não utilize acessórios que não tenham sido previstos e recomendados pelo fabricante especificamente para esta ferramenta eléctrica. O simples facto de poder fixar o acessório na sua ferramenta eléctrica não garante uma utilização segura.
- d) A velocidade permitida do acessório deve estar dimensionada para, no mínimo, a velocidade máxima que consta na ferramenta eléctrica. Acessórios que rodam a uma velocidade superior à permitida podem fragmentar-se e ser projectados.
- e) Diâmetro exterior e espessura do acessório devem corresponder às dimensões da sua ferramenta eléctrica. Acessórios mal dimensionados não podem ser resguardados ou controlados o suficiente.
- f) Discos de rebarbar, falanges, discos abrasivos ou outros acessórios têm de ajustar-se exactamente ao fuso da sua ferramenta eléctrica. Acessórios que não se ajustam exactamente ao veio da ferramenta eléctrica, rodam de forma irregular, vibram fortemente e podem levar à perda de controlo.
- g) Não utilize acessórios danificados. Antes de cada utilização, examine os acessórios, tais como discos de rebarbar quanto a fragmentos e fissuras; discos abrasivos quanto a fissuras, desgaste ou forte deterioração; escovas de arame quanto a arames soltos ou partidos. No caso de a ferramenta eléctrica ou o acessório cair, verifique se ficou danificado, ou utilize um acessório intacto. Quando tiver examinado e montado o acessório, coloque-se a si e pessoas que se encontrem nas proximidades fora do plano do acessório em movimento e deixe trabalhar a ferramenta durante um minuto à velocidade máxima. A maioria dos acessórios danificados quebram-se durante este período de ensaio.
- h) Use equipamento de segurança. Use máscara protectora integral, guarda-vidua ou óculos de protecção consoante a aplicação. Desde que adequado, use máscara antipoeiras, protecção auricular, luvas de protecção ou avental especial para manter pequenas partículas de abrasão e de material afastadas de si. Os olhos devem ser protegidos de objectos estranhos projectados que são

produzidos em diversas aplicações. As máscaras antipoeiras ou respiratórias devem filtrar as poeiras que são produzidas durante a utilização. Se estiver exposto durante muito tempo a ruído intenso, poderá vir a sofrer de perda de audição

- i) **Assegure-se de que outras pessoas se mantêm afastadas o suficiente da sua zona de trabalho. Cada pessoa que entrar na zona de trabalho tem de usar equipamento de segurança.** Fragmentos da peça a trabalhar ou dos acessórios partidos podem ser projectados e provocar ferimentos mesmo para além da zona de trabalho directa.
- j) **Segure a ferramenta apenas pelas áreas isoladas dos punhos, quando executar trabalhos onde o acessório pode encontrar cabos eléctricos encobertos ou o próprio cabo de rede.** O contacto com um cabo sob tensão também pode colocar partes metálicas da ferramenta sob tensão e causar um choque eléctrico.
- k) **Mantenha o cabo de rede afastado de acessórios em movimento.** Quando perder o controlo sobre a ferramenta, o cabo de rede pode ser cortado ou agarrado e a sua mão ou braço puxado contra o acessório em movimento.
- l) **Nunca pause a ferramenta eléctrica enquanto o acessório não estiver completamente parado.** O acessório em movimento pode entrar em contacto com a área de colocação, pelo que pode perder o controlo sobre a ferramenta eléctrica.
- m) **Não deixe a ferramenta eléctrica a trabalhar enquanto a transporta.** A sua roupa pode ser agarrada devido a contacto accidental com o acessório em movimento e este perfurar o corpo.
- n) **Limpe regularmente as saídas de ar da sua ferramenta eléctrica.** O ventilador do motor aspira poeiras para dentro da carcaça, podendo originar perigos de origem eléctrica devido a uma forte acumulação de pós metálicos.
- o) **Não utilize a ferramenta eléctrica na proximidade de materiais inflamáveis.** Faiscas podem inflamar tais materiais.
- p) **Não utilize quaisquer acessórios que exijam líquidos de refrigeração.** A utilização de água ou outros líquidos de refrigeração pode resultar num choque eléctrico.

### 2.4 Normas de segurança em caso de coice

O coice é a reacção repentina em consequência de um acessório em movimento, como disco de rebarbar, prato de rebarbar, escova de arame etc., preso ou bloqueado. A prisão ou bloqueio ocasiona uma paragem súbita do acessório em movimento. Isto faz com que a ferramenta eléctrica descontrolada seja acelerada no ponto do bloqueio contra o sentido de rotação do acessório. Quando, p.ex., um disco de rebarbar prende ou fica bloqueado numa peça, o rebordo do disco que mergulha na peça pode encravar-se e o disco fugir ou provocar assim um coice. O disco de rebarbar move-se então no sentido do operador ou afasta-se dele, conforme o sentido de rotação do disco no ponto do bloqueio. Isto também pode levar à quebra dos discos de rebarbar.

Um coice é a consequência de uma utilização incorrecta ou deficiente da ferramenta eléctrica. Este pode ser evitado através de precauções adequadas, como descrito a seguir.

- a) **Agarre bem a ferramenta eléctrica e coloque o seu corpo e os seus braços numa posição em que poderá absorver as forças do coice. Utilize sempre o punho adicional, caso exista, para ter o máximo controlo possível sobre as forças do coice ou os torques de reacção durante o arranque.** O operador pode dominar as forças do coice e de reacção através de precauções adequadas.
- b) **Nunca coloque a sua mão na proximidade de acessórios em movimento.** O acessório pode, em caso de coice, atravessar a sua mão.
- c) **Afaste o seu corpo da zona para onde a ferramenta eléctrica é deslocada no caso de um coice.** O coice propuliona a ferramenta eléctrica no sentido oposto ao do movimento do disco de rebarbar no ponto do bloqueio.
- d) **Trabalhe com particular precaução perto de cantos, arestas vivas, etc. Evite que acessórios ressaltem da peça e encravem.** O acessório em movimento tem a tendência de se encravar em cantos, arestas vivas ou quando ressalta, o que provoca uma perda de controlo ou coice.
- e) **Não utilize uma lâmina de serra de cadeia ou dentada.** Acessórios deste tipo provocam frequentemente um coice ou a perda do controlo sobre a ferramenta eléctrica.

#### 2.5 Normas de segurança especiais para trabalhos de rebarbar e de corte por abrasão

- a) **Utilize exclusivamente os rebolos autorizados para a sua ferramenta eléctrica e o resguardo de disco previsto para estes rebolos.** Rebolos que não estão previstos para a ferramenta eléctrica não podem ser resguardados o suficiente e não são seguros.
- b) **O resguardo de disco tem de estar bem colocado na ferramenta eléctrica e ajustado para um máximo de segurança de modo que a parte mais pequena possível do rebolo esteja virada para o operador de forma desprotegida.** O resguardo de disco ajuda a proteger o operador de fragmentos, contacto accidental com o rebolo bem como faíscas que podem incendiar o vestuário.
- c) **Rebolos só podem ser utilizados para as possibilidades de aplicação recomendadas. Por exemplo: nunca rebarbe com a superfície lateral de um disco de corte.** Discos de corte destinam-se à abrasão de material com o rebordo do disco. A aplicação lateral de força sobre estes rebolos pode parti-los.
- d) **Utilize sempre falanges de aperto não danificadas, com a dimensão e forma apropriadas para o disco de rebarbar por si escolhido.** Falanges adequadas apoiam o disco de rebarbar e reduzem assim o perigo de um quebra do disco. Falanges para discos de corte podem ser diferentes das para outros discos de rebarbar.

- e) **Não utilize discos de rebarbar gastos de ferramentas eléctricas maiores.** Discos de rebarbar para ferramentas eléctricas maiores não estão dimensionados para as velocidades mais elevadas de ferramentas eléctricas mais pequenas, podendo partir.

#### 2.6 Outras normas de segurança especiais para trabalhos de corte por abrasão

- a) **Evite o bloqueio do disco de corte ou força de encosto excessiva. Não execute cortes excessivamente fundos.** Uma sobrecarga do disco de corte aumenta o respectivo esforço e a predisposição para encravar ou bloquear e, assim, a possibilidade de um coice ou quebra do rebolo.
- b) **Evite a zona à frente e atrás do disco de corte em movimento.** Quando afasta de si o disco de corte na peça, a ferramenta eléctrica com o disco em movimento pode, no caso de um coice, ser projectada directamente na sua direcção.
- c) **Caso o disco de corte encrave ou interromper o trabalho, desligue a ferramenta e segure-a com calma, até o disco estar imobilizado. Nunca tente puxar o disco ainda a rodar do corte; senão, pode resultar daí um coice.** Determine e corrija a causa de o disco encravar.
- d) **Enquanto a ferramenta eléctrica se encontra encravada na peça, não volte a ligá-la. Deixe que o disco de corte atinja primeiro a sua velocidade plena, antes de continuar, com precaução, o corte.** Caso contrário, o disco pode prender, saltar da peça ou provocar um coice.
- e) **Escore placas ou peças grandes, de modo a diminuir o perigo de um coice devido a um disco de corte encravado.** Peças grandes podem flectir sob o seu próprio peso. A peça tem de ser escorada de ambos os lados, tanto na proximidade do corte de separação como também na borda.
- f) **Tenha particular atenção no caso de "cortes de entalhe" em paredes existentes ou noutras áreas não inspecionáveis.** Ao mergulhar na peça, o disco de corte pode provocar um coice durante o corte em tubagens de gás ou água, cabos eléctricos ou outros objectos.

#### 2.7 Normas de segurança especiais para trabalhos de lixar com papel abrasivo

- a) **Não utilize folhas de lixa sobredimensionadas. Respeite as especificações do fabricante relativas ao tamanho das folhas de lixa.** Folhas de lixa que sobressaíam do prato de rebarbar podem provocar ferimentos, assim como bloquear e rasgar as folhas de lixa ou levar a um coice.

#### 2.8 Normas de segurança especiais para trabalhos com escovas de arame

- a) **Tenha em conta que a escova de arame também perde pontas de arame durante a utilização normal. Não sobrecarregue os arames exercendo pressão de encosto excessiva.** Pontas de arame

projectadas podem atravessar facilmente roupa de pouca espessura e/ou a pele.

- b) **No caso de ser recomendado um resguardo de disco, impeça que o resguardo de disco e a escova de arame se possam tocar.** Escovas de disco e de copo podem aumentar o respectivo diâmetro devido à pressão de encosto e forças centrífugas.

## 2.9 Normas de segurança adicionais

### 2.9.1 Segurança física

- a) **Use protecção auricular.** Ruído em excesso pode levar à perda de audição.
- b) **Segure a ferramenta sempre com as duas mãos nos punhos previstos para o efeito.** Mantenha os punhos secos, limpos e isentos de óleo e massas.
- c) **Se a ferramenta for utilizada sem o sistema de remoção de pó, é indispensável colocar uma máscara antipoeiras.**
- d) **Faça pausas para relaxar os músculos e melhorar a circulação sanguínea nas mãos.**
- e) **Evite o contacto com peças rotativas.** Ligue a ferramenta apenas quando estiver no local de trabalho. O contacto com peças rotativas, nomeadamente brocas, discos, lâminas, etc. pode causar ferimentos.
- f) **Durante o trabalho, mantenha o cabo de alimentação e a extensão sempre na parte de trás da ferramenta.** Evita assim tropeçar no cabo durante os trabalhos.
- g) **Deve ensinar-se às crianças que não podem brincar com a ferramenta.**
- h) **A ferramenta não está concebida para a utilização por crianças ou pessoas debilitadas sem formação.**
- i) **AVISO: Alguns tipos de pó que são produzidos ao desbastar, rebarbar, cortar e furar, contêm agentes químicos conhecidos pelos seus efeitos cancerígenos e teratogénicos, que podem provocar esterilidade e danos permanentes das vias respiratórias ou outros.** Alguns desses agentes químicos são chumbo contido em tinta de chumbo, quartzo cristalino proveniente de tijolos, betão, alvenaria ou pedras naturais, ou, também, arsénico e crómio provenientes de madeira de construção tratada quimicamente. A perigosidade para si varia, consoante a frequência com que efectua estes trabalhos. **Para minimizar a exposição a estes agentes químicos, os utilizadores e terceiros devem trabalhar num espaço bem ventilado, bem como usar equipamentos de segurança apropriados. Use uma máscara antipoeiras adequada para determinados pós, que possa filtrar partículas microscópicas e manter o pó afastado da face e do corpo. Evite o contacto permanente com pó. Use roupa de protecção e lave a área da pele afectada com água e sabão.** A absorção de pó através da boca, dos olhos ou o contacto permanente dos pós com a pele pode promover a absorção de agentes químicos com risco de efeitos graves para a saúde.

## 2.9.2 Utilização e manutenção de ferramentas eléctricas

- a) **Os discos de rebarbar devem ser guardados e manuseados de acordo com as instruções do fabricante.**
- b) **Verifique se o disco está colocado na ferramenta conforme as instruções do fabricante.**
- c) **Certifique-se de que são utilizados intercalares quando exigidos ou disponibilizados com o disco de corte/rebarbar.**
- d) **Nunca deve utilizar a ferramenta eléctrica sem o resguardo.**
- e) **A peça a trabalhar deve estar suficientemente fixa.**
- f) **Não utilize discos de corte para rebarbar.**
- g) **Após uma quebra do disco, uma queda ou outros danos de origem mecânica, a ferramenta terá de ser verificada num Centro de Assistência Técnica Hilti.**
- h) **Certifique-se de que as faíscas originadas não representam qualquer perigo, p.ex., para si ou para outras pessoas. Para o efeito, coloque o resguardo correctamente.**
- i) **Em caso de corte de energia: desligue a ferramenta e retire a ficha da tomada.** Isto impede que a ferramenta seja colocada involuntariamente em funcionamento quando o corte de energia é reparado.

## 2.9.3 Segurança eléctrica



- a) **Antes de iniciar os trabalhos, verifique o local de trabalho relativamente a cabos eléctricos encobertos, bem como tubos de gás e água, p.ex., com um detector de metais.** Partes metálicas externas da ferramenta podem transformar-se em condutores de corrente se, p.ex., uma linha eléctrica for danificada inadvertidamente. Isto representa um sério perigo de choque eléctrico.
- b) **Verifique o cabo eléctrico regularmente. Se danificado, o cabo deve ser imediatamente substituído por um especialista. Quando o cabo de ligação da ferramenta eléctrica está danificado, deve ser substituído por um cabo de ligação específico, que se encontra disponível através do Serviço de Clientes Hilti. Verifique as extensões de cabo regularmente. Se estiverem danificadas, deverão ser substituídas. Se danificar o cabo enquanto trabalha, não lhe toque e desligue a máquina imediatamente. Desligue a máquina da corrente. Linhas de conexão e extensões danificadas representam um risco de choque eléctrico.**
- c) **Deste modo, as ferramentas utilizadas frequentemente para trabalhar materiais condutores e consequentemente muito sujas, devem ser verificadas num Centro de Assistência Técnica Hilti**

a **intervalos regulares**. Humidade ou sujidade na superfície da ferramenta dificultam o seu manuseio e, sob condições desfavoráveis, podem causar choques eléctricos.

- d) **Se trabalhar com uma ferramenta eléctrica no exterior, certifique-se de que a ferramenta está ligada à rede eléctrica por meio de um disjuntor diferencial (GFCI) com uma corrente de disparo de, no máximo, 30 mA.** A utilização de um disjuntor diferencial reduz o risco de choque eléctrico.
- e) **Por princípio, recomendamos a utilização de um disjuntor diferencial (GFCI) com uma corrente de disparo de, no máximo, 30 mA.**

#### 2.9.4 Local de trabalho

- a) **Assegure-se de que o local de trabalho está bem iluminado.**
- b) **Assegure-se de que o local de trabalho está bem ventilado.** Áreas de trabalho mal ventiladas podem

suscitar problemas de saúde devido à inalação de pó.

#### 2.9.5 Equipamento de protecção pessoal



**O utilizador e restantes pessoas que se encontrem na proximidade da ferramenta devem usar óculos de protecção adequados e aprovados em conformidade com a norma ANSI Z87.1, capacete de segurança, protecção auricular, luvas de protecção e máscara antipoeiras.**

pt

## 3 Descrição

### 3.1 Utilização correcta

A ferramenta é uma rebarbadora angular eléctrica para utilização profissional em obras. A ferramenta foi concebida para cortar, rebarbar e limpar metais e materiais minerais sem a utilização de água.

Leia as instruções contidas neste manual sobre utilização, conservação e manutenção da ferramenta.

Trabalhos em metal: cortar, rebarbar, rectificar, limpar com escova de arame.

Trabalhos em materiais minerais: cortar, abrir roços e rectificar.

Use somente acessórios (discos de corte/rebarbar) aprovados para uma velocidade recomendada de pelo menos 8500 rpm, que possuam um diâmetro máx. de 7" e uma velocidade periférica permitida de 80 m/s.

Para evitar ferimentos/danos, use apenas acessórios e equipamento auxiliar Hilti.

Materiais nocivos para a saúde (p. ex., amianto) não podem ser trabalhados.

Respeite também os requisitos nacionais de segurança no trabalho.

Não é permitida a modificação ou manipulação da ferramenta.

Certifique-se de que a corrente eléctrica à qual a ferramenta é ligada está de acordo com a mencionada na placa de características.

A ferramenta é apropriada para trabalhar em obra, em oficina, em trabalhos de renovação, reconstrução e construção de raiz.

A ferramenta foi concebida para uso profissional e só deve ser utilizada, feita a sua manutenção e reparada por pessoal autorizado e devidamente credenciado. Estas pessoas deverão ser informadas sobre os potenciais perigos que a ferramenta representa. A ferramenta e seu equipamento auxiliar podem representar perigo se usados incorrectamente por pessoas não qualificadas ou se usados para fins diferentes daqueles para os quais foram concebidos.

Considere as influências ambientais. Não utilize a ferramenta onde possa existir risco de incêndio ou explosão.

### 3.2 Punhos

Punho auxiliar

### 3.3 Interruptor

Interruptor on/off com bloqueio

### 3.4 Incluído no fornecimento do equipamento padrão:

- 1 Ferramenta
- 1 Resguardo do disco
- 1 Punho auxiliar
- 1 Falange de aperto para disco côncavo

- 1 Porca tensora
- 1 Chave de aperto
- 1 Manual de instruções
- 1 Caixa de cartão

### 3.5 Utilização de extensões de cabo

Utilize apenas extensões de cabo aprovadas para o tipo de aplicação em causa e com a secção adequada. A inobservância desta recomendação pode resultar numa perda de potência da ferramenta e no sobreaquecimento do cabo. Examine o cabo periodicamente em relação a eventuais danos. Substitua os cabos de extensão danificados.

**Secções de cabo mínimas e comprimentos máximos recomendados:**

Secção do cabo	14 AWG	12 AWG
Tensão de rede 110-120 V	75 ft	125 ft

Não utilize extensões de cabo com secções de 16 AWG.

### 3.6 Utilização de extensões eléctricas em trabalhos de exterior

Em trabalhos de exterior, utilize apenas extensões de cabo com secção apropriada e correspondentemente indicadas.

### 3.7 Utilização de um gerador ou transformador

Esta ferramenta pode ser alimentada por um gerador ou transformador se as seguintes condições forem reunidas: potência de saída, em watt, no mínimo o dobro da potência indicada na placa de características da ferramenta, a tensão em carga deverá estar entre os +5 % e os -15 % da tensão nominal e a frequência deverá estar entre 50 e 60 Hz, mas nunca superior a 65 Hz. Deve utilizar-se um regulador automático de tensão com arrancador.

O gerador ou transformador nunca deve ser usado para alimentar outros equipamentos em simultâneo. Ligar outras ferramentas ou dispositivos pode provocar variações na voltagem (falha ou sobrecarga), causando danos na ferramenta.

### 3.8 Resguardo do disco com chapa de cobertura

#### CUIDADO

**Ao trabalhar materiais metálicos, utilize apenas o resguardo de disco com chapa de cobertura para lixar com discos abrasivos cilíndricos e para cortar com discos de corte.** Este está disponível como acessório.

## 4 Características técnicas

Reservamo-nos o direito de proceder a alterações técnicas!

Ferramenta	DAG 700-P
Tensão nominal	120 V
Corrente nominal	15 A
Frequência	60 Hz
Velocidade nominal	8 500/min
Discos de corte	Ø 7"
Dimensões (C x A x L) sem resguardo	473 mm (18,62") x 136 mm (5,35") x 105 mm (4,13")
Peso	5,7 kg (12,57 lb)

#### Outras informações sobre a ferramenta

Rosca do veio	5/8"-11
Comprimento do veio	3/4"
Classe de protecção	Classe II de protecção (com duplo isolamento)

## 5 Antes de iniciar a utilização



### AVISO

**Nunca deve utilizar a ferramenta eléctrica sem o resguardo.**

#### 5.1 Colocar o punho auxiliar

### AVISO

**O punho auxiliar deve estar colocado sempre que a ferramenta é utilizada.**

Apertar o punho auxiliar pelo lado esquerdo, direito ou superior da ferramenta.

#### 5.2 Resguardo do disco

### CUIDADO

**O lado fechado do resguardo deve estar sempre voltado para o operador.**

### NOTA

A patilha de posicionamento no resguardo garante que nestas rebarbadoras apenas possam ser utilizados os resguardos adequados. Para além disso, a patilha de posicionamento impede que o resguardo do disco caia para cima do disco.

#### 5.2.1 Montar e desmontar o resguardo do disco 2

1. Desligue a máquina da corrente.
2. Coloque o resguardo com os ressaltos na ranhura na gola do veio e rode-o para a posição de trabalho necessária.
3. Fixe o resguardo do disco com o parafuso.
4. Para desmontar o resguardo do disco, execute os passos de trabalho correspondentes pela ordem inversa.

#### 5.2.2 Ajustar o resguardo do disco 3

1. Desligue a máquina da corrente.
2. Alivie o parafuso.
3. Posicione o resguardo conforme desejado.
4. Fixe o resguardo do disco com o parafuso.

#### 5.2.3 Montar e desmontar o resguardo do disco (sem ferramenta) 4

### NOTA

O resguardo já se encontra ajustado com o diâmetro de aperto correcto através do parafuso de ajuste. Se a fixação for insuficiente com o resguardo do disco colocado, é possível aumentar a força de aperto apertando ligeiramente o parafuso de ajuste.

1. Desligue a máquina da corrente.
2. Abra a alavanca de aperto.

3. Coloque o resguardo com a patilha de posicionamento na respectiva ranhura na gola do veio da cabeça da ferramenta.
4. Rode o resguardo do disco para a posição necessária.
5. Feche a alavanca de aperto para prender o resguardo do disco.
6. Para desmontar o resguardo do disco, execute os passos de trabalho correspondentes pela ordem inversa.

#### 5.2.4 Ajustar o resguardo do disco (sem ferramenta) 5

1. Desligue a máquina da corrente.
2. Abra a alavanca de aperto.
3. Posicione o resguardo conforme desejado.
4. Feche a alavanca de aperto.

#### 5.3 Montagem dos discos

### PERIGO

**Certifique-se de que o número de rotações indicado nos discos de corte e rebarbar é igual ou superior ao indicado na ferramenta.**

### PERIGO

**Verifique o disco de corte/rebarbar antes de o utilizar. Não use discos partidos, rachados ou de outro modo danificados.**

### PERIGO

**Não utilize discos com um diâmetro superior a 7".**

#### 5.3.1 Montar discos planos 6

### CUIDADO

**Ao trabalhar materiais metálicos, utilize apenas o resguardo de disco com chapa de cobertura para lixar com discos abrasivos cilíndricos e para cortar com discos de corte. Este está disponível como acessório.**

### AVISO

**A utilização de discos planos e falanges de aperto côncavas pode levar à quebra do disco.**

1. Desligue a máquina da corrente.
2. Limpe a falange de aperto para discos planos.
3. Coloque a falange de aperto interna para discos planos sobre o veio de transmissão.
4. Coloque o disco plano.
5. Coloque a falange de aperto externa para discos planos sobre o veio de transmissão.
6. Aperte a porca tensora.
7. **CUIDADO O botão de bloqueio do veio só pode ser accionado quando o veio parar de rodar.** Pressione o botão de bloqueio do veio e mantenha-o pressionado.

- Com a chave de aperto, aperte a porca tensora e solte em seguida o botão de bloqueio do veio.

### 5.3.2 Montar discos côncavos 7

#### AVISO

A utilização de discos planos e falanges de aperto côncavas pode levar à quebra do disco.

- Desligue a máquina da corrente.
- Limpe a falange de aperto para discos côncavos.

- Coloque a falange de aperto para discos côncavos sobre o veio de transmissão.
- Coloque o disco côncavo.
- Aperte a porca tensora.
- CUIDADO O botão de bloqueio do veio só pode ser accionado quando o veio parar de rodar.** Pressione o botão de bloqueio do veio e mantenha-o pressionado.
- Com a chave de aperto, aperte a porca tensora e solte em seguida o botão de bloqueio do veio.

pt

## 6 Utilização



#### NOTA

Altere a posição do resguardo consoante o trabalho em causa.

#### PERIGO

**Use protecção auricular.** Ruído em excesso pode levar à perda de audição.

#### CUIDADO

**O lado fechado do resguardo deve estar sempre voltado para o operador.**

#### AVISO

Para efeitos de verificação, deixar discos de corte/rebarbar novos a trabalhar durante pelo menos 30 segundos, à velocidade máxima em vazio, numa área de trabalho vedada.

#### AVISO

As aberturas (roços) em paredes de suporte ou outras estruturas podem influenciar a estática da estrutura, especialmente ao cortar/atravessar armadura. **O engenheiro, arquitecto ou responsável pelo projecto devem ser consultados antes de iniciar os trabalhos de corte/abertura de roços.**

#### AVISO

**A corrente eléctrica deve corresponder à indicada na placa de características da ferramenta.**

#### AVISO

**Utilize sempre a ferramenta com o punho auxiliar acoplado.**

#### CUIDADO

**Use grampos ou o torno para segurar peças soltas.**

#### AVISO

O processo de corte/rebarbar pode fragmentar o material. **Use óculos de protecção.**

#### CUIDADO

**Se a ferramenta for utilizada sem o sistema de remoção de pó, é indispensável colocar uma máscara antipoeiras.**

#### AVISO

**Evite o contacto com peças rotativas. Ligue a ferramenta apenas quando estiver no local de trabalho.** O contacto com peças rotativas, nomeadamente brocas, discos, lâminas, etc. pode causar ferimentos.

#### CUIDADO

Após utilização prolongada, a ferramenta pode ficar quente. **Use luvas de protecção quando substituir os acessórios!**

#### AVISO

**Reduza a carga sobre a ferramenta evitando inclinar o disco em relação ao plano de corte.** De contrário, a ferramenta pode parar, dar-se um coice ou o disco quebrar.

#### CUIDADO

**Faça pausas para relaxar os músculos e melhorar a circulação sanguínea nas mãos.**

#### AVISO

**Mantenha materiais inflamáveis afastados da área de trabalho.**

### 6.1 Ligar/desligar com bloqueio

#### 6.1.1 Ligar e bloquear 8

- Ligue a ferramenta à corrente eléctrica.
- Pressione o interruptor on/off e, em seguida, o interruptor de bloqueio.

#### 6.1.2 Desligar após o bloqueio

Carregue no interruptor on/off (bloqueio solta-se).

### 6.2 Notas de trabalho

#### NOTA

Trabalhe com pressão moderada.

## NOTA

O importante é a direcção segundo a qual se corta. A ferramenta deve trabalhar sempre contra a rotação. Caso contrário, existe o perigo de a ferramenta ser empurrada de forma descontrolada para fora do corte.

## NOTA

Para trabalhar metais não ferrosos (por exemplo, alumínio) são necessários discos especiais.

## NOTA

Ao trabalhar materiais base de origem mineral especialmente duros com elevada proporção de gravilha, o disco de corte pode sobreaquecer e ficar danificado devido a isso. Um indício claro disso é um anel de faíscas que acompanha o movimento do disco de corte. Neste caso, deve interromper-se o processo de corte e deixar-se ar-

refecer o disco de corte durante alguns momentos às rotações em vazio.

## NOTA

Um progresso de trabalho decrescente pode ser uma indicação de que os segmentos ficaram embotados. Este pode ser reafiado através de cortes em material abrasivo (placa de afiar Hilti ou arenito calcário abrasivo).

### 6.3 Rebarbar

#### CUIDADO

**Nunca utilize discos de corte para rebarbar.**

Ao rebarbar consegue-se o melhor efeito se se inclinar o disco de rebarbar num ângulo de 30° em relação ao plano a rebarbar. Uma carga excessiva ao rebarbar prejudica a ferramenta e aumenta o desgaste do disco de rebarbar, diminuindo a respectiva eficácia.

pt

## 7 Conservação e manutenção

### CUIDADO

**Desligue a máquina da corrente.**

#### 7.1 Manutenção da ferramenta

#### PERIGO

Ao trabalhar metais pode, em condições de utilização extremas, depositar-se pó condutor no interior da ferramenta. O isolamento duplo da ferramenta pode ficar comprometido. **Em tais casos é recomendável utilizar um sistema de aspiração fixo, limpar frequentemente as saídas de ar e ligar em série um interruptor de protecção contra corrente de fuga (GFCI).**

A carcaça exterior da ferramenta é fabricada em plástico resistente a impactos. O punho é feito de uma borracha sintética.

As saídas de ar devem estar sempre limpas e desobstruídas! Limpe as saídas de ar cuidadosamente com uma escova seca. Evite a penetração de corpos estranhos no interior da ferramenta. Limpe regularmente o exterior da ferramenta com um pano ligeiramente húmido. Não utilize qualquer spray, sistema de vapor ou água, pois poderá afectar negativamente a parte eléctrica da ferramenta. Mantenha os punhos da ferramenta limpos

de óleo e massa. Não utilize produtos de limpeza que contenham silicose.

#### 7.2 Manutenção

#### AVISO

**Não ligue a ferramenta se houver partes danificadas, o sistema electrónico estiver avariado ou se os comandos operativos não estiverem a funcionar correctamente. Nesse caso, mande reparar a ferramenta num Centro de Assistência Técnica Hilti.**

#### AVISO

**As reparações na parte eléctrica apenas podem ser executadas por um electricista especializado.**

Examine periodicamente todos os componentes e partes externas da ferramenta prevenindo assim o seu perfeito funcionamento.

#### 7.3 Verificação da ferramenta após manutenção

Após cada manutenção da ferramenta, verifique se todos os dispositivos de segurança estão correctamente montados e perfeitamente operacionais.

## 8 Ferramentas, acessórios

**Discos de diâmetro máx. 7", 8500 rpm e velocidade periférica de 80 m/s.**

Designação	Sigla	Descrição
Discos abrasivos		Tipo 1, tipo 41, tipo 42
Discos diamantados	DC-D 7"	
Escova de arame		∅ Máx. 7"
Disco abrasivo		∅ Máx. 7"



## Acessórios

Designação
Resguardo do disco com chapa de cobertura
Aspirador da gama de produtos Hilti
Falange de aperto interna para disco plano
Falange de aperto externa para disco plano

pt

## 9 Avarias possíveis

Falha	Causa possível	Solução
A ferramenta não arranca.	Não recebe corrente eléctrica.	Ligue uma outra ferramenta na mesma tomada para verificar se esta tem corrente.
	Cabo de alimentação ou ficha com defeito.	Mandar verificar por um electricista especializado. Mandar substituir, se for necessário.
	As escovas de carvão estão gastas.	Mandar verificar por um electricista especializado. Mandar substituir, se for necessário.
Fraca performance da ferramenta.	Extensão de cabo com secção inadequada.	Use uma extensão eléctrica com secção apropriada.

## 10 Reciclagem



As ferramentas Hilti são, em grande parte, fabricadas com materiais recicláveis. Um pré-requisito para a reciclagem é que esses materiais sejam devidamente separados. A Hilti já iniciou em muitos países a recolha da sua ferramenta usada para fins de reaproveitamento. Para mais informações dirija-se ao Serviço de Clientes Hilti ou ao seu vendedor.

## 11 Garantia do fabricante - Ferramentas

A Hilti garante que a ferramenta fornecida está isenta de quaisquer defeitos de material e de fabrico. Esta garantia é válida desde que a ferramenta seja utilizada e manuseada, limpa e revista de forma adequada e de acordo com o manual de instruções Hilti e desde que o sistema técnico seja mantido, isto é, sob reserva da utilização exclusiva na ferramenta de consumíveis, componentes e peças originais Hilti.

A garantia limita-se rigorosamente à reparação gratuita ou substituição das peças com defeito de fabrico durante todo o tempo de vida útil da ferramenta. A garantia não cobre peças sujeitas a um desgaste normal de uso.

**Estão excluídas desta garantia quaisquer outras situações susceptíveis de reclamação, salvo legislação**

**nacional aplicável em contrário. Em caso algum será a Hilti responsável por danos indirectos, directos, accidentais ou pelas consequências daí resultantes, perdas ou despesas em relação ou devidas à utilização ou incapacidade de utilização da ferramenta, seja qual for a finalidade. A Hilti exclui em particular as garantias implícitas respeitantes à utilização ou aptidão para uma finalidade particular.**

Para toda a reparação ou substituição, enviar a ferramenta ou as peças para o seu centro de vendas Hilti, imediatamente após detecção do defeito.

Estas são todas e as únicas obrigações da Hilti no que se refere à garantia, as quais anulam todas as declarações, acordos orais ou escritos anteriores ou contemporâneos referentes à garantia.



Hilti Corporation

LI-9494 Schaan

Tel.: +423 / 234 21 11

Fax: +423 / 234 29 65

[www.hilti.com](http://www.hilti.com)

884881A945

DAG 700-P-1

Hilti = registered trademark of Hilti Corp., Schaan

W 3574 | 1213 | 00-Pos. 3 | 1

Printed in China © 2013

Right of technical and programme changes reserved S. E. & O.

353921 / A2



353921